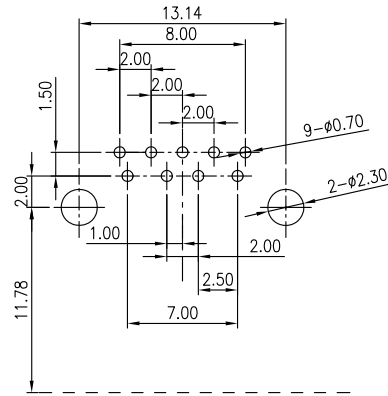
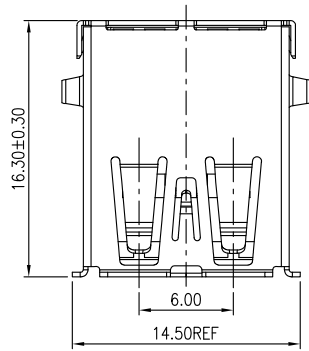
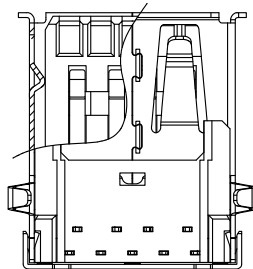
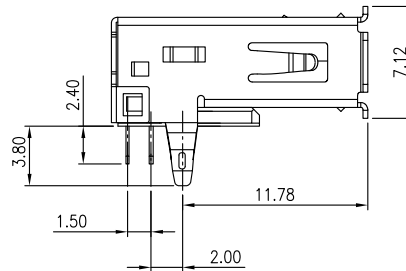
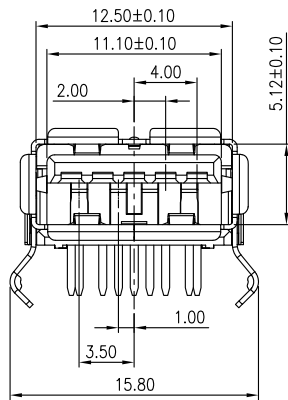


V3.2 NOTE: THIS DEVICE IS ROHS COMPLIANT.

REVISIONS							
SYM	DESCRIPTION	DATE	APPROVED	SYM	DESCRIPTION	DATE	APPROVED
△	REVISE DRAWING	06/JUN/14'	ALAN	△			
△				△			
**CUSTOMER DRAWING FOR REFERENCE ONLY, SAMPLES APPROVAL ARE REQUIRED!!							351



RECOMMENDED P.C.B. LAYOUT(TOP VIEW)
GENERAL TOLERANCES:±0.05



MATERIA
HOUSING: PBT, UL94V-0 COLOR: BLUE;
TERMINAL: PHOSPHOR BRONZE/BRASS;
SHELL: STAINLESS STEEL;

SPECIFICATION
CURRENT RATING: 1.5 MAX PER PIN;
CONTACT RESISTANCE: 30mΩ MAX. INITIAL;
INSULATION RESISTANCE: 1000MΩ MIN. INITIAL;
DIELECTRIC WITHSTANDING VOLTAGE: 500VAC;
OPERATING TEMPERATURE: -55°C~+85°C

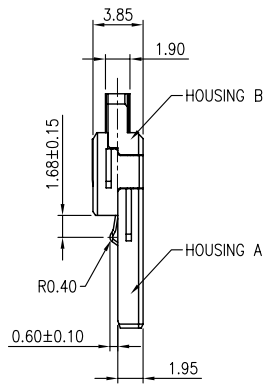
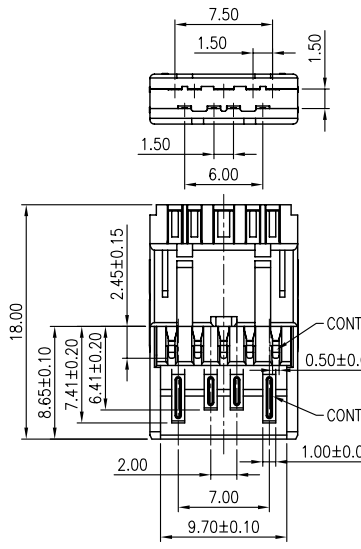
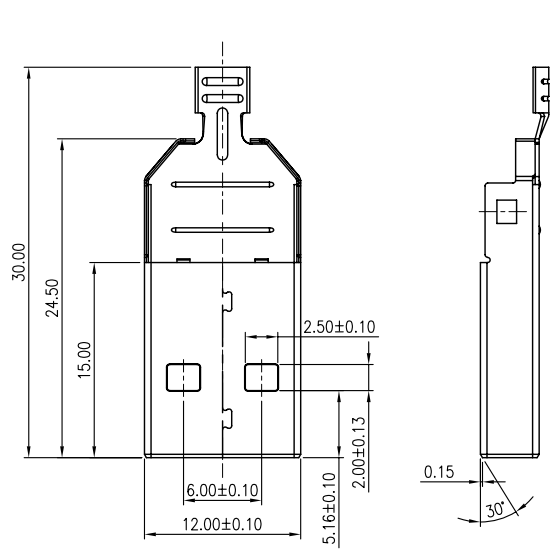
ORDER INFORMATION:
USB260-PaF09NGX
USB:USB CONNECTOR
260:SERIES NO.; BLUE COLOR
Pa:PCB TYPE, RIGHT ANGLE
F: FEMALE
09: NO. OF CONTACT
N: SHELL PLATING,
-N:NICKEL PLATING
GX: CONTACT PLATED OPTION
-Gft: GOLD FLASH ON CONTACT, TIN
PLATING ON SOLDER TAIL
-G15t: GOLD FLASH ON CONTACT, TIN
PLATING ON SOLDER TAIL
-G30t: 30u" GOLD ON CONTACT, TIN
PLATING ON SOLDER TAIL

TOLERANCES UNLESS OTHERWISE SPECIFIED ±0.25			SIGNATURES		DATE	MODEL
SYMBOL △	UNIT mm	SCALE 2/1	DRAWN	AARON	16/MAR/11'	TITLE USB 3.0 CONNECTOR
			CHECKED	PEGGY	16/MAR/11'	NO. USB260-PaF09NG_
			APPROVALS			

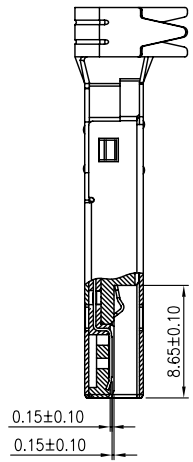
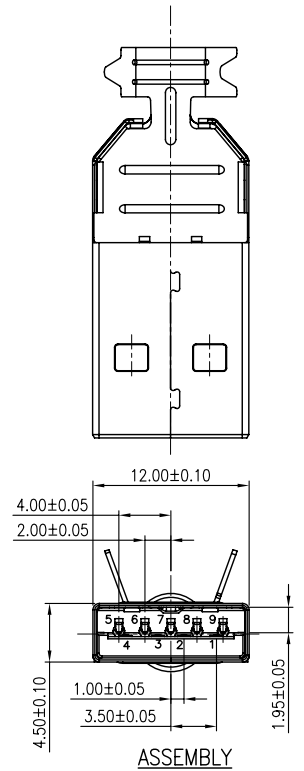
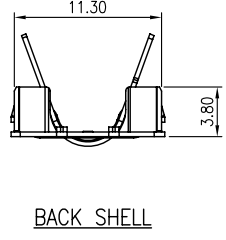
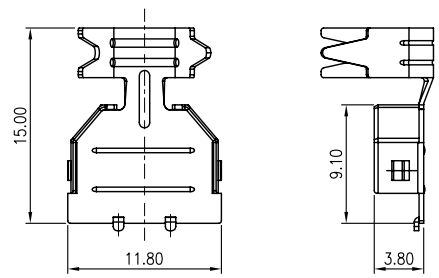
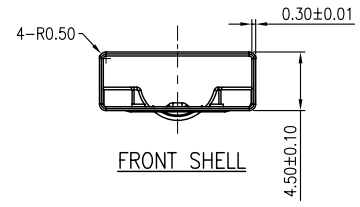
MMT CORPORATION

V1.1 NOTE: THIS DEVICE IS ROHS COMPLIANT.

REVISIONS							
SYM	DESCRIPTION	DATE	APPROVED	SYM	DESCRIPTION	DATE	APPROVED
△				△			
△				△			
**CUSTOMER DRAWING FOR REFERENCE ONLY, SAMPLES APPROVAL ARE REQUIRED!!							217



MATERIA:
 FRONT SHELL: SPCC
 BACK SHELL: SPCC
 HOUSING: TERMOPLASTIC
 CONTACT: COPPER ALLOY



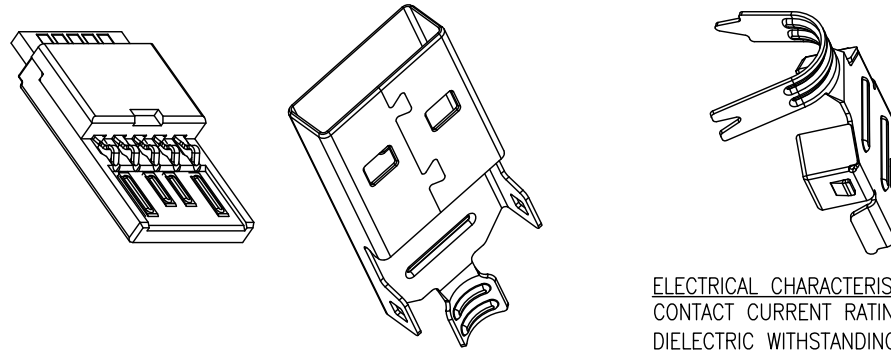
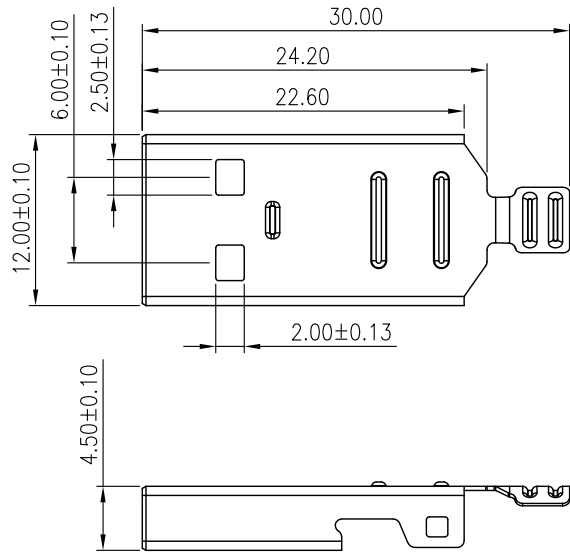
ORDER INFORMATION:
 USB261-ScM09NGX
 USB: USB CONNECTOR
 261: SERIES NO.; BLUE COLOR
 Sc: SOLDER TYPE
 M: MALE
 09: NO. OF CONTACT
 N: SHELL PLATING,
 -N: NICKEL PLATING
 GX: CONTACT PLATED
 Gf: GOLD FLASH
 G15: 15u" GOLD FLASH ON CONTACT

TOLERANCES UNLESS OTHERWISE SPECIFIED ±0.25			SIGNATURES		DATE	MODEL
SYMBOL	UNIT	SCALE	DRAWN	AARON	15/OCT/09'	TITLE
			CHECKED	PEGGY	15/OCT/09'	USB 3.0 CONNECTOR
			APPROVALS			NO. USB261-ScM09NGX

MMT CORPORATION

V1.1 NOTE: THIS DEVICE IS ROHS COMPLIANT.

REVISIONS							
SYM	DESCRIPTION	DATE	APPROVED	SYM	DESCRIPTION	DATE	APPROVED
△				△			
△				△			
**CUSTOMER DRAWING FOR REFERENCE ONLY, SAMPLES APPROVAL ARE REQUIRED!!							351

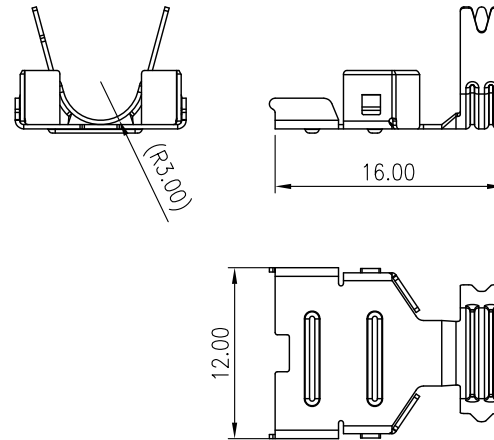
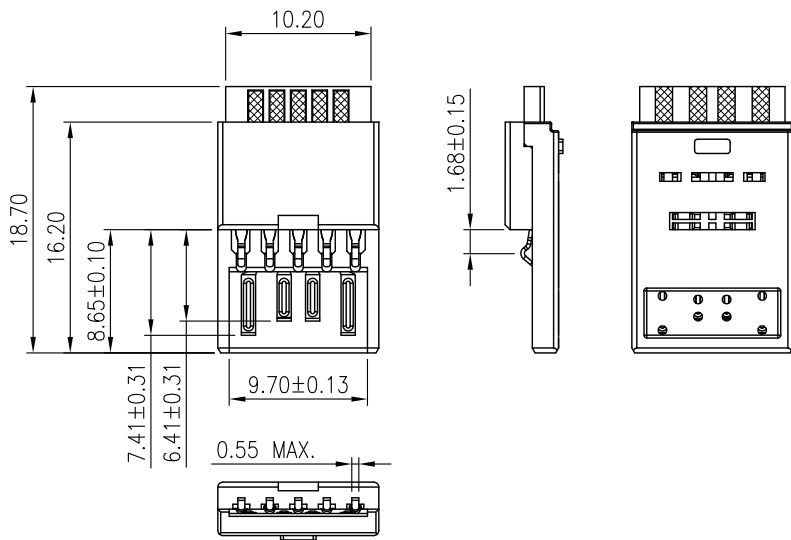


ELECTRICAL CHARACTERISTICS
 CONTACT CURRENT RATING: 1A
 DIELECTRIC WITHSTANDING VOLTAGE: AC 100V r.m.s./1 Min
 INSULATION RESISTANCE: 100MΩ MIN. at DC 500V.
 CONTACT RESISTANCE: 30mΩ MAX.
 OPERATING TEMPERATURE: -55°C~85°C

MECHANICAL CHARACTERISTICS
 CONTACT INSERTION FORCE: 35N MAX.
 CONTACT SEPARATION FORCE: 8N MIN.

MATERIALS
 CONTACT: COPPER ALLOY
 INSULATOR: PBT, UL 94V-0. RATED, COLOR: BLUE
 SHELL: BRASS

ORDER INFORMATION
 USB262-ScM09NGX
 USB:USB CONNECTOR
 262:SERIES NO.
 Sc: SOLDER TYPE
 M: MALE
 09: NO. OF CONTACT
 N: SHELL PLATING,
 -N:NICKEL PLATING
 GX: CONTACT PLATED
 Gf: GOLD FLASH
 G15: 15u" GOLD FLASH ON CONTACT
 G30: 30u" GOLD FLASH ON CONTACT

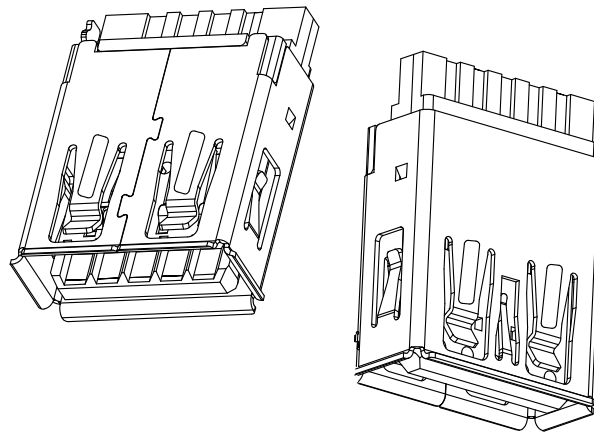
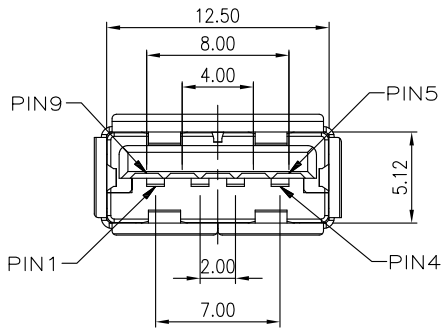


TOLERANCES UNLESS OTHERWISE SPECIFIED ±0.25			SIGNATURES		DATE	MODEL
SYMBOL △	UNIT mm	SCALE 2/1	DRAWN	AARON	18/MAR/11'	TITLE USB A TYPE 3.0 CONNECTOR
			CHECKED	UNA	18/MAR/11'	NO.
			APPROVALS			USB262-ScM09NG_

MMT CORPORATION

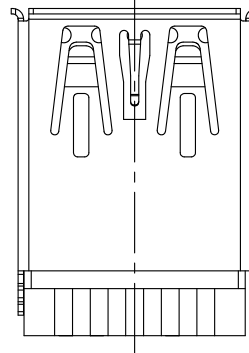
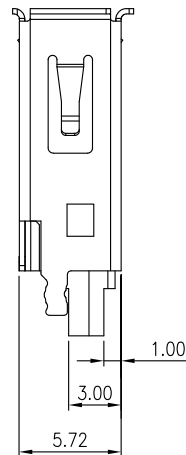
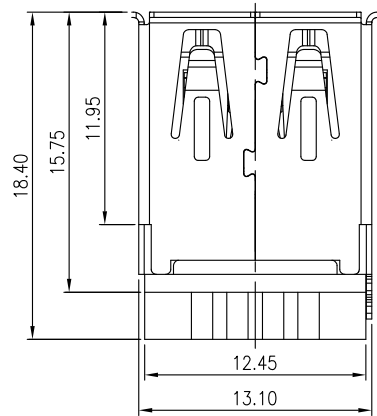
V1.2 NOTE: THIS DEVICE IS ROHS COMPLIANT.

REVISIONS							
SYM	DESCRIPTION	DATE	APPROVED	SYM	DESCRIPTION	DATE	APPROVED
△	REVISE DRAWING	21/MAR/14'	SAM	△			
△				△			
**CUSTOMER DRAWING FOR REFERENCE ONLY, SAMPLES APPROVAL ARE REQUIRED!!							351



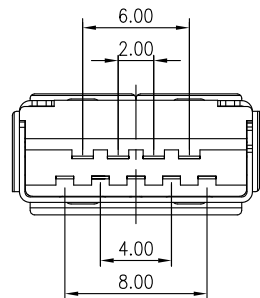
NOTES:

- MATERIAL:
 - HOUSING: THERMOPLASTIC UL94V-0;
 - TERMINAL: COPPER ALLOY;
 - SHELL: COPPER ALLOY;
- SPECIFICATION:
 - CURRENT RATING: 1.5A MAX PER PIN;
 - CONTACT RESISTANCE (LOW LEVEL): 30mOHM MAX. INITIAL;
 - INSULATION RESISTANCE: 1000M OHM MIN. INITIAL;
 - DIELECTRIC WITHSTANDING VOLTAGE: 500VAC;
 - INSERTION FORCE: 35N MAX;
 - WITHDRAW FORCE: 10N MIN;
 - DURABILITY: 5000 CYCLES;
 - OPERATING TEMPERATURE -55°C TO 85°C;



ORDER INFORMATION

USB263-ScF09NGX
 USB: USB CONNECTOR
 263: SERIES NO.
 Sc: SOLDER TYPE
 F: FEMALE
 09: NO. OF CONTACT
 N: SHELL PLATING,
 -N: NICKEL PLATING
 GX: CONTACT PLATED
 Gf: GOLD FLASH
 G15: 15u" GOLD FLASH ON CONTACT
 G30: 30u" GOLD FLASH ON CONTACT

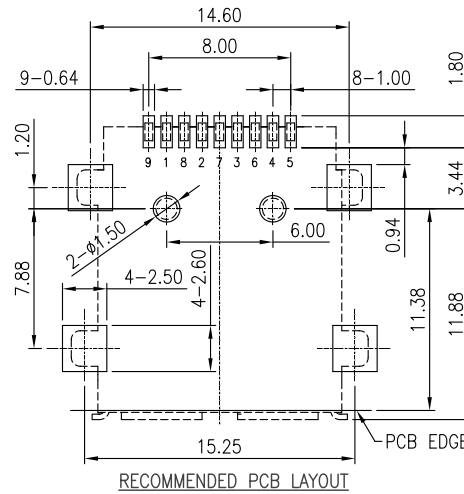
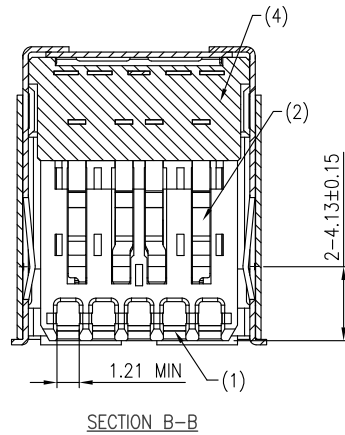
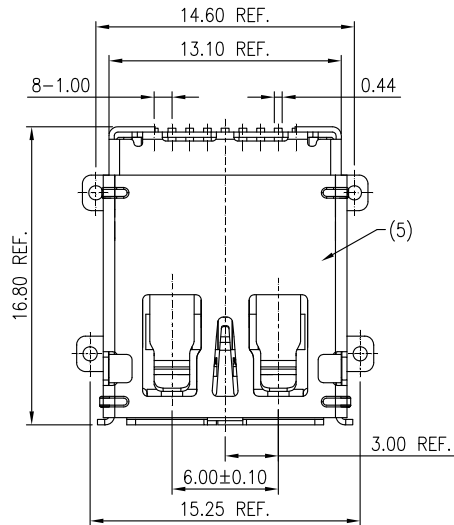


TOLERANCES UNLESS OTHERWISE SPECIFIED ±0.25			SIGNATURES		DATE		MODEL	
			DRAWN AARON		18/MAR/11'		TITLE	
			CHECKED UNA		18/MAR/11'		USB A TYPE 3.0 CONNECTOR	
SYMBOL			UNIT		SCALE		NO.	
△			mm		3/1		USB263-ScF09NG_	

MMT CORPORATION

V1.2 NOTE: THIS DEVICE IS ROHS COMPLIANT.

REVISIONS							
SYM	DESCRIPTION	DATE	APPROVED	SYM	DESCRIPTION	DATE	APPROVED
△	REVISE DRAWING	21/MAR/12'	SAM	△			
△				△			
**CUSTOMER DRAWING FOR REFERENCE ONLY, SAMPLES APPROVAL ARE REQUIRED!!							101

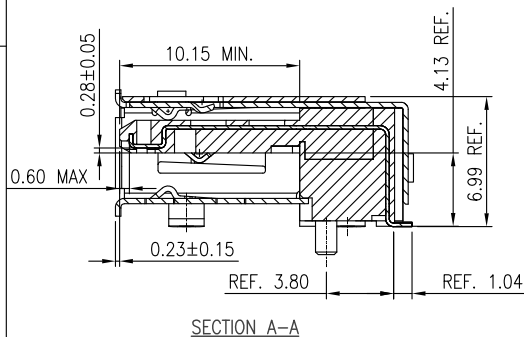
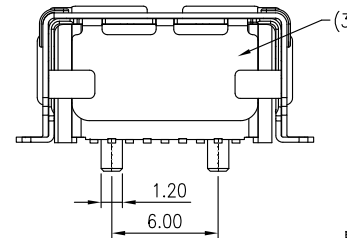
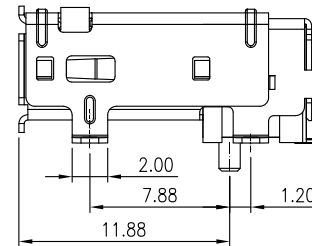
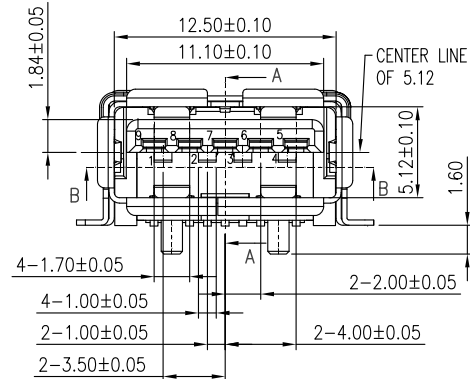


MATERIAL:

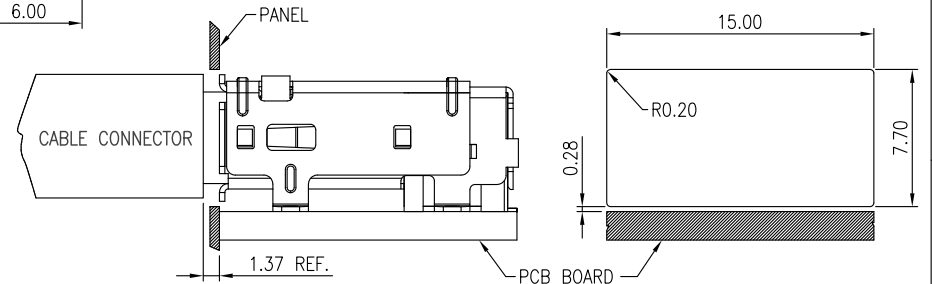
1. 5P TERMINAL: COPPER ALLOY(t=0.20)
2. 4P TERMINAL: COPPER ALLOY(t=0.25)
3. SHELL: COPPER ALLOY(t=0.30)
4. HOUSING: LCP, COLOR: BLUE
5. OUT SHELL: STEEL

ORDER INFORMATION:

USB264-RtF09NG30t
 USB:USB CONNECTOR
 264:SERIES NO.; USB 3.0 A TYPE
 Rt:PCB TYPE, RIGHT ANGLE SURFACE MOUNT
 F: FEMALE
 09: NO. OF CONTACT
 N: SHELL PLATING, NICKEL PLATING
 G30t: 30u" GOLD ON CONTACT,
 TIN PLATING ON SOLDER TAIL



Front side	Pin assignments	PCB side
PIN1	VBUS	2
PIN2	D-	4
PIN3	D+	6
PIN4	GND	8
PIN5	StdA_SSRX-	9
PIN6	StdA_SSRX+	7
PIN7	GND_DRAIN	5
PIN8	StdA_SSTX-	3
PIN9	StdA_SSTX+	1

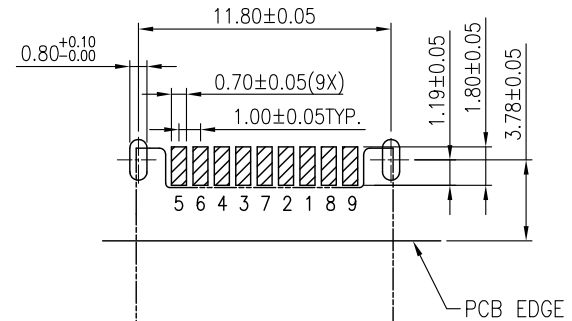
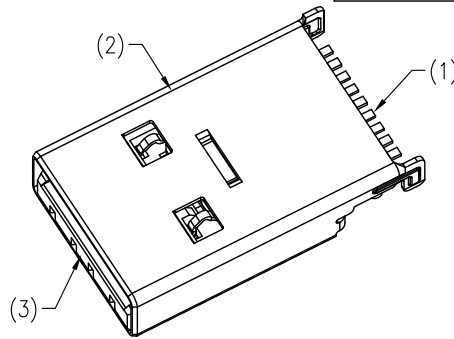
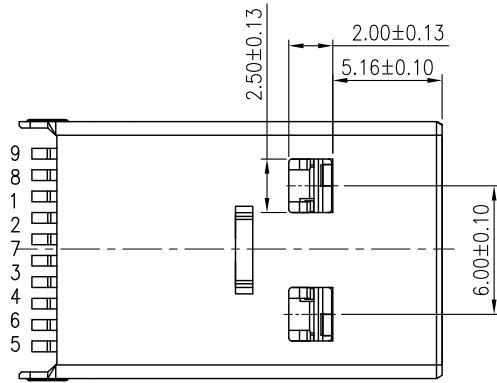


TOLERANCES UNLESS OTHERWISE SPECIFIED ±0.25			SIGNATURES		DATE	MODEL	
SYMBOL	UNIT	SCALE	DRAWN	AARON	16/MAY/11'	TITLE	
	△	mm	3/1	CHECKED	PEGGY	16/MAY/11'	NO.
	APPROVALS						USB 3.0 CONNECTOR
						USB264-RtF09NG30t	

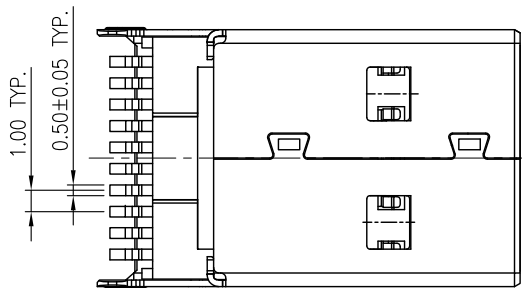
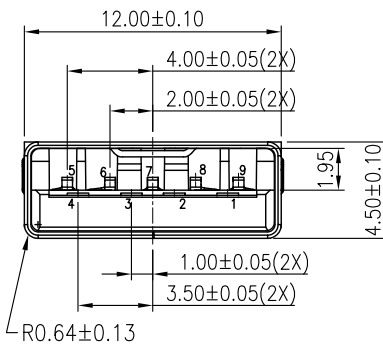
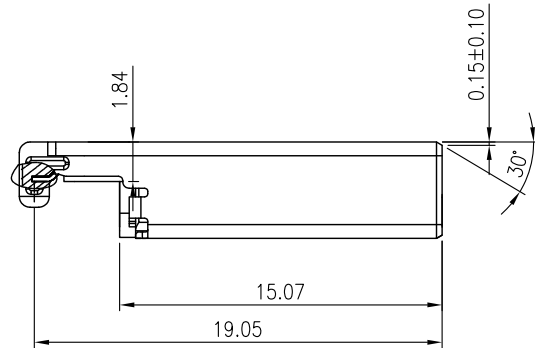
MMT CORPORATION

V1.2 NOTE: THIS DEVICE IS ROHS COMPLIANT.

REVISIONS							
SYM	DESCRIPTION	DATE	APPROVED	SYM	DESCRIPTION	DATE	APPROVED
△	REVISE DRAWING	20/MAR/12'	AARON	△			
△				△			
**CUSTOMER DRAWING FOR REFERENCE ONLY, SAMPLES APPROVAL ARE REQUIRED!!							101



RECOMMENDED PCB LAYOUT (t=1.00mm)
COMPONENT SIDE



Front side Pin assignments	
PIN1	VBUS
PIN2	D-
PIN3	D+
PIN4	GND
PIN5	StdA_SSRX-
PIN6	StdA_SSRX+
PIN7	GND_DRAIN
PIN8	StdA_SSTX-
PIN9	StdA_SSTX+

ORDER INFORMATION:
 USB264-RtM09NG30t
 USB: USB CONNECTOR
 264: SERIES NO.; USB 3.0 A TYPE
 Rt: PCB TYPE, RIGHT ANGLE SURFACE MOUNT
 M: MALE
 09: NO. OF CONTACT
 N: SHELL PLATING, NICKEL PLATING
 G30t: 30u" GOLD ON CONTACT, TIN PLATING ON SOLDER TAIL

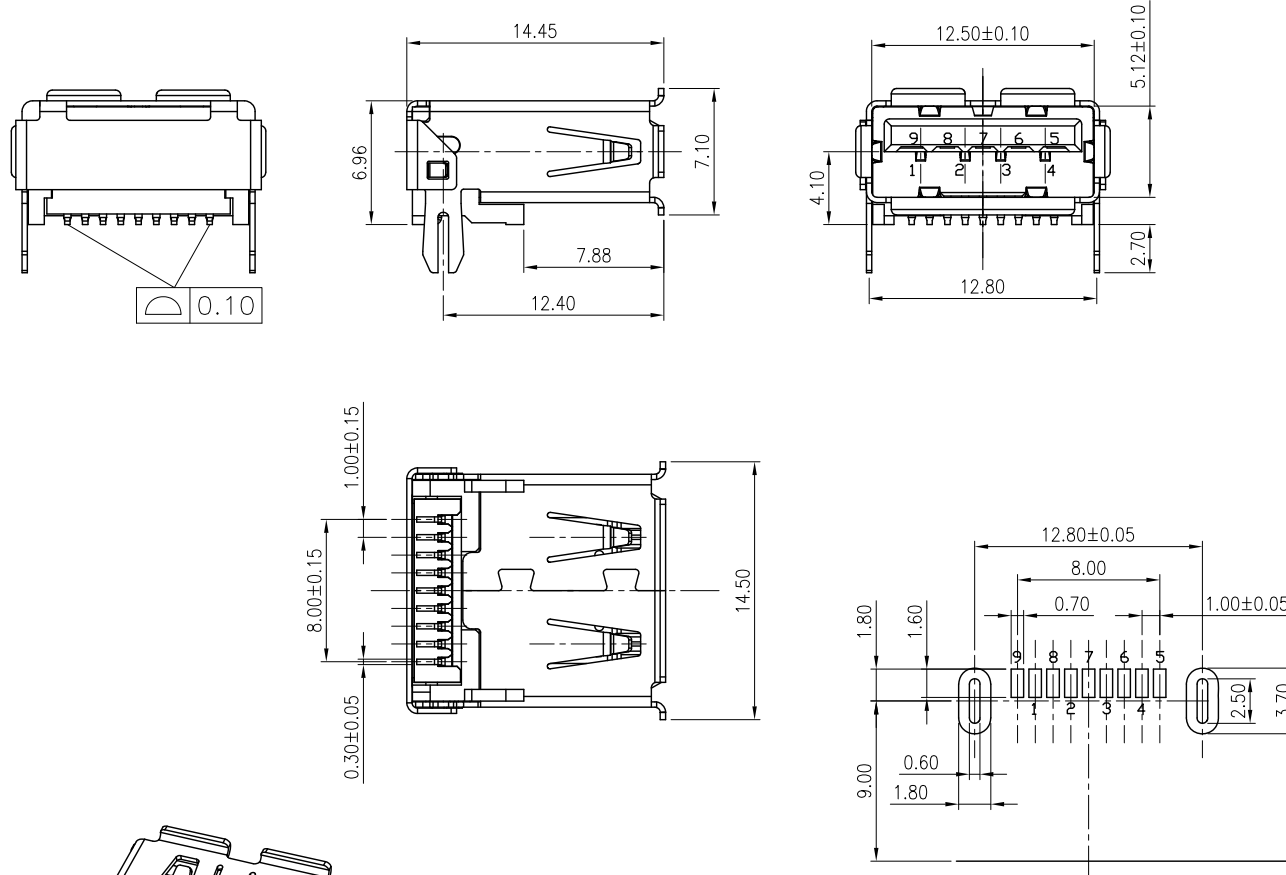
MATERIAL:
 1. CONTACT: COPPER ALLOY
 2. SHELL: SPCC
 3. HOUSING: THERMOPLASTICS, COLOR: BLUE

TOLERANCES UNLESS OTHERWISE SPECIFIED ±0.25			SIGNATURES		DATE		MODEL	
SYMBOL	UNIT	SCALE	DRAWN	AARON	16/MAY/11'		TITLE	
			CHECKED	PEGGY	16/MAY/11'		NO.	
			APPROVALS				USB264-RtM09NG30t	

MMT CORPORATION

V1.1 NOTE: THIS DEVICE IS ROHS COMPLIANT.

REVISIONS							
SYM	DESCRIPTION	DATE	APPROVED	SYM	DESCRIPTION	DATE	APPROVED
△				△			
△				△			
**CUSTOMER DRAWING FOR REFERENCE ONLY, SAMPLES APPROVAL ARE REQUIRED!!							351

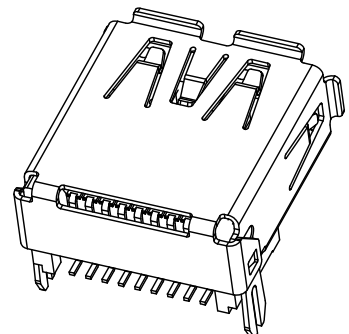


MATERIAL
 HOUSING: LCP UL94V-0;
 TERMINAL: PHOSPHOR BRONZE T=0.20mm
 SHELL: BRASS T=0.30mm

SPECIFICATION
 CURRENT RATING: 1.5A MAX. PER PIN
 CONTACT RESISTANCE(LOW LEVEL): 30mΩ MAX. INITIAL
 INSULATION RESISTANCE: 1000MΩ MIN. INITIAL
 DIELECTRIC WITHSTANDING VOLTAGE: 500VAC
 OPERATING TEMPERATURE: -40°C ~ 85°C

ORDER INFORMATION:
 USB265-RtF09NGft
 USB:USB CONNECTOR
 265:SERIES NO.; USB 3.0 A TYPE
 Rt:PCB TYPE, RIGHT ANGLE SURFACE MOUNT
 F: FEMALE
 09: NO. OF CONTACT
 N: SHELL PLATING, NICKEL PLATING
 Gft: GOLD ON CONTACT, TIN PLATING ON SOLDER TAIL

PCB EDGE
 RECOMMENDED PCB LAYOUT

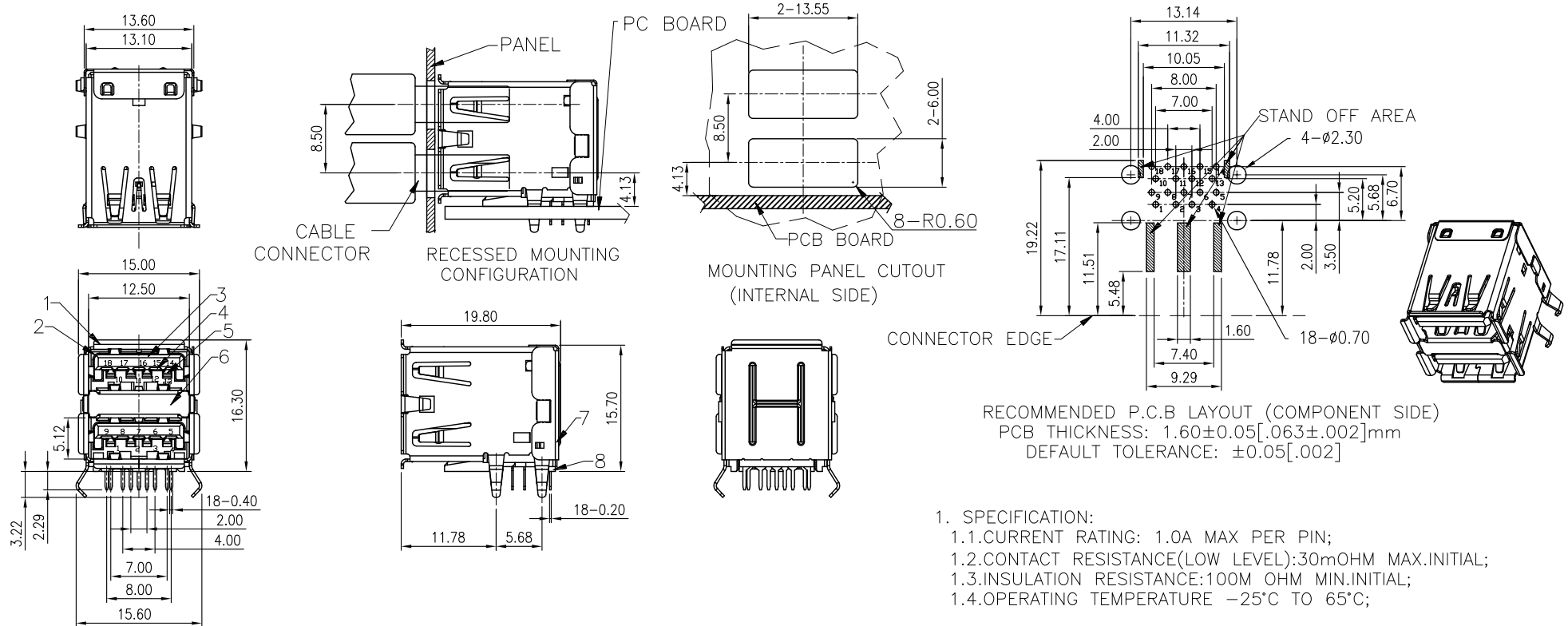


TOLERANCES UNLESS OTHERWISE SPECIFIED ±0.25			SIGNATURES		DATE	MODEL
			DRAWN	AARON	13/JUN/13'	TITLE
			CHECKED	SAM	13/JUN/13'	USB 3.0 CONNECTOR
			APPROVALS			NO.
						USB265-RtF09NGft

MMT CORPORATION

V1.1 NOTE: THIS DEVICE IS ROHS COMPLIANT.

REVISIONS							
SYM	DESCRIPTION	DATE	APPROVED	SYM	DESCRIPTION	DATE	APPROVED
△				△			
△				△			
**CUSTOMER DRAWING FOR REFERENCE ONLY, SAMPLES APPROVAL ARE REQUIRED!!							351



1. SPECIFICATION:
- 1.1.CURRENT RATING: 1.0A MAX PER PIN;
 - 1.2.CONTACT RESISTANCE(LOW LEVEL):30mOHM MAX.INITIAL;
 - 1.3.INSULATION RESISTANCE:100M OHM MIN.INITIAL;
 - 1.4.OPERATING TEMPERATURE -25°C TO 65°C;

ORDER INFORMATION:
 USB266-Pa18NGft
 USB: USB CONNECTOR
 226: SERIES NO.
 Pa: PCB TYPE, RIGHT ANGLE
 18: NO. OF CONTACTS
 N: SHELL PLATING, NICKEL PLATED
 Gft: CONTACT PLATING, GOLD FLASH ON CONTACTS,
 TIN PLATED ON SOLDER TAILS

PIN ASSIGNMENT:

Pin No.	1	2	3	4	5	6	7	8	9
Pin No.	10	11	12	13	14	15	16	17	18
Signal Name	VBUS	D-	D+	GND	STDA_SSRX-	STDA_SSRX+	GND_DRAIN	STDA_SSTX-	STDA_SSTX+
Remark	USB2 Contact Pin				USB3 Contact Pin				

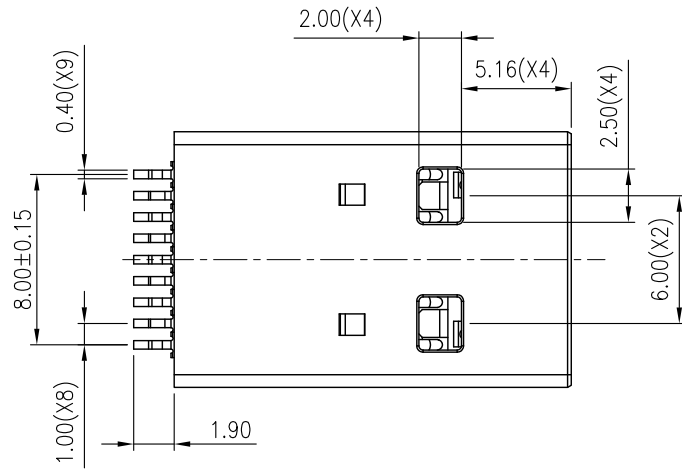
NO.	DESCRIPTION	QTY.	MATERIAL	TREATMENT
8	ORGANIZER	1	THERMOPLASTIC UL 94V-0	BLACK
7	REAR SHELL	1	STAINLESS STEEL	NONE
6	GROUND FINGER	1	STAINLESS STEEL	NONE
5	USB2 CONTACT	8	COPPER ALLOY	GOLD FLASH Pd/Ni MIN AT CONTACT AREA, LEAD FREE TIN ALLOY
4	USB3 CONTACT	10	COPPER ALLOY	AT TERMINATION,NICKEL UNDERPLATING OVER ALL.
3	INNER INSULATOR	2	THERMOPLASTIC UL 94V-0	MOLDED COLOR: BLUE(PANTONE:300C).
2	FRAME	1	THERMOPLASTIC UL 94V-0	BLACK
1	SHELL	1	STAINLESS STEEL	NICKEL PLATED OVERALL, KINK WITH LEAD FREE TIN ALLOY.

TOLERANCES UNLESS OTHERWISE SPECIFIED ±0.25			SIGNATURES		DATE	MODEL
SYMBOL	UNIT	SCALE	DRAWN	SAM	15/JAN/14'	TITLE USB 3.0 JACK A TYPE
			CHECKED	AARON	15/JAN/14'	
△	mm	3/1	APPROVALS			NO. USB266-Pa18NGft

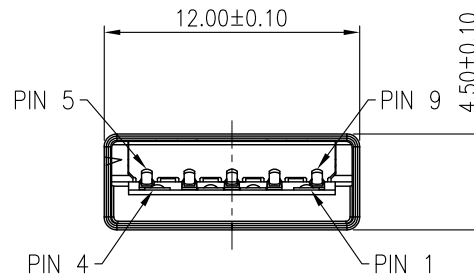
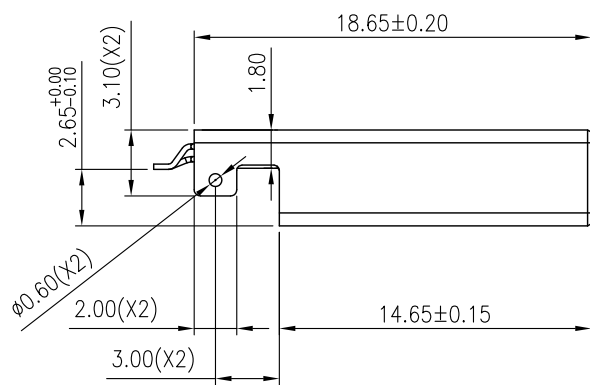
MMT CORPORATION

V1.1 NOTE: THIS DEVICE IS ROHS COMPLIANT.

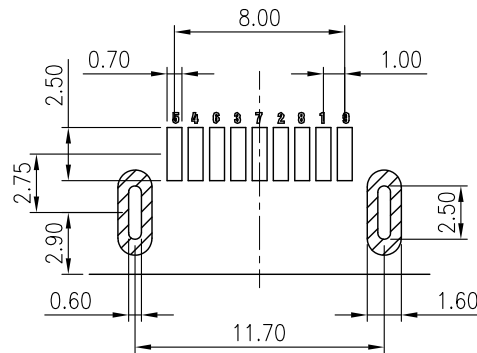
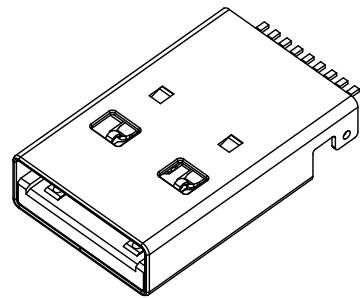
REVISIONS							
SYM	DESCRIPTION	DATE	APPROVED	SYM	DESCRIPTION	DATE	APPROVED
△				△			
△				△			
**CUSTOMER DRAWING FOR REFERENCE ONLY, SAMPLES APPROVAL ARE REQUIRED!!							351



ELECTRICAL CHARACTERISTIC:
 LOW LEVEL CONTACT RESISTANCE:
 INITIAL: 30mΩ MAX. FOR POWER AND GROUND CONTACTS.
 INITIAL: 50mΩ MAX. FOR ALL OTHER CONTACTS.
 AFTER: 10mΩ MAX. CHANGE.
 DIELECTIC WITHSTANDING VOLTAGE: 100 VAC FOR ONE MINUTE AT SEA LEVEL.
 INSULATION RESISTANCE: 100mΩ MIN.
 CONTACT CURRENT RATING: 1.8A AT 250VAC MIN. FOR POWER AND GROUND CONTACTS.
 0.25A AT 250VAC MIN. FOR ALL OTHER CONTACTS.
 OPERATING TEMPERATURE: -55°C TO +85°C
 SHELL: SPCC
 HOUSING: PA6T
 CONTACT(4PIN): BRASS
 CONTACT(5PIN): PHOSPHOR BRONZE



ORDER INFORMATION
 USB271-RtM09NGX
 USB:USB CONNECTOR
 271:SERIES NO.
 Rt: SOLDER TYPE
 M: MALE
 09: NO. OF CONTACT
 N: SHELL PLATING, NICKEL PLATING
 GX: CONTACT PLATED
 Gf: GOLD FLASH
 G15: 15u" GOLD FLASH ON CONTACT
 G30: 30u" GOLD FLASH ON CONTACT



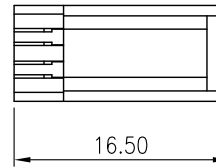
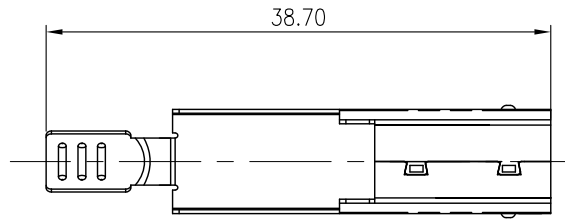
REFERENCE PCB LAROUT(THICKNESS: 0.80mm)
 TOLERANCE: ±0.05mm

TABLE B: PIN ASSIGNMENT									
PIN NO.	1	2	3	4	5	6	7	8	9
SIGNALE NAME	V_BUS	D-	D+	GND	STDA_SSRXS-	STDA_SSRXS+	GND	STDA_SSRXS-	STDA_SSRXS-
REMARK	USB 2.0 CONTACT PIN				USB 3.0 CONTACT PIN				
TOLERANCES UNLESS OTHERWISE SPECIFIED ±0.25	SIGNATURES			DATE	MODEL				
SYMBOL △	UNIT mm	SCALE 3/1	DRAWN	AARON	16/MAY/11'	TITLE USB A TYPE 3.0 CONNECTOR			
			CHECKED	PEGGY	16/MAY/11'	NO. USB271-RtM09NG_			
APPROVALS									

MMT CORPORATION

V1.1 NOTE: THIS DEVICE IS ROHS COMPLIANT.

REVISIONS							
SYM	DESCRIPTION	DATE	APPROVED	SYM	DESCRIPTION	DATE	APPROVED
△				△			
△				△			
**CUSTOMER DRAWING FOR REFERENCE ONLY, SAMPLES APPROVAL ARE REQUIRED!!							351

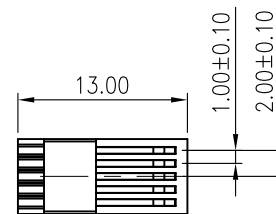
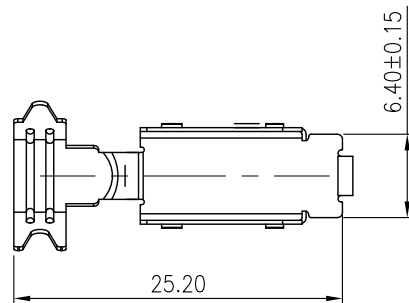
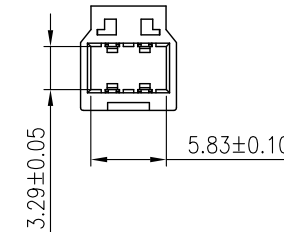
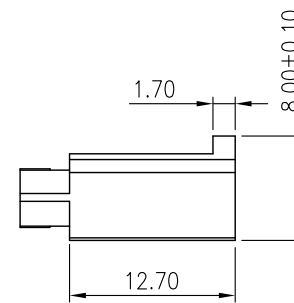
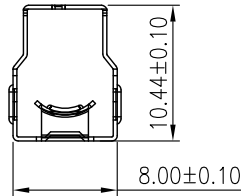
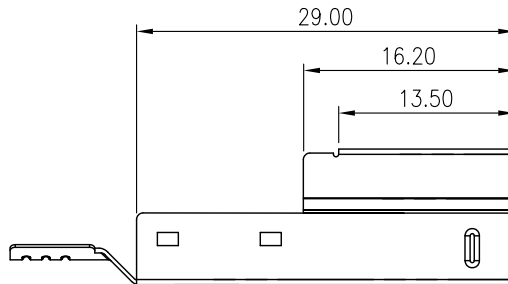


ELECTRICAL CHARACTERISTICS

CONTACT CURRENT RATING: 1.5 A
 DIELECTRIC WITHSTANDING VOLTAGE: AC 500V r.m.s.
 INSULATION RESISTANCE: 1000MΩ MIN. at DC 500V.
 CONTACT RESISTANCE: 30mΩ MAX.
 OPERATING TEMPERATURE: -55°C~85°C

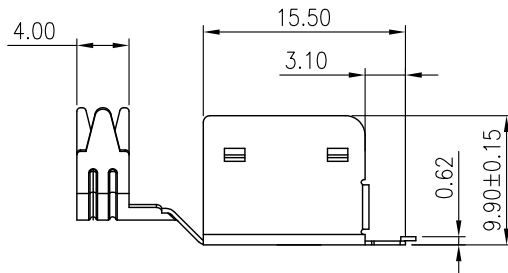
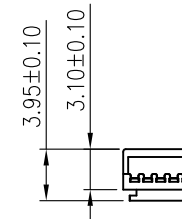
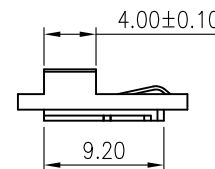
MATERIALS

INSULATOR: PBT, UL 94V-0. COLOR: BLUE
 FRONT SHELL: GOLD ROLLER STEEL.
 BACK SHELL: GOLD ROLLER STEEL.
 CONTACT: BRASS.



ORDER INFORMATION:

USB402-ScM09NGX
 USB:USB CONNECTOR
 402:SERIES NO.;
 Sc: SOLDER TYPE
 M: MALE
 09: NO. OF CONTACT
 N: SHELL PLATING,
 -N:NICKEL PLATING
 GX: CONTACT PLATED
 Gf: GOLD FLASH
 G15: 15u" GOLD FLASH ON CONTACT
 G30: 30u" GOLD FLASH ON CONTACT



TOLERANCES UNLESS OTHERWISE SPECIFIED ±0.25			SIGNATURES	DATE	MODEL
SYMBOL	UNIT	SCALE	DRAWN AARON	18/MAR/11'	TITLE
△	mm	2/1	CHECKED UNA	18/MAR/11'	USB B TYPE 3.0 CONNECTOR
APPROVALS					NO. USB402-ScM09NG_

MMT CORPORATION