

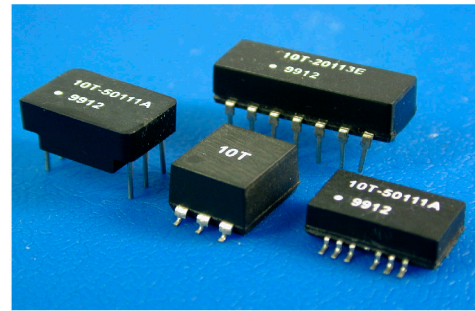
**TRANSFORMER
(GENERAL)**

MMT 10T SERIES GENERAL PURPOSE TRANSFORMER

500 mW PULSE

TEST CONDITIONS

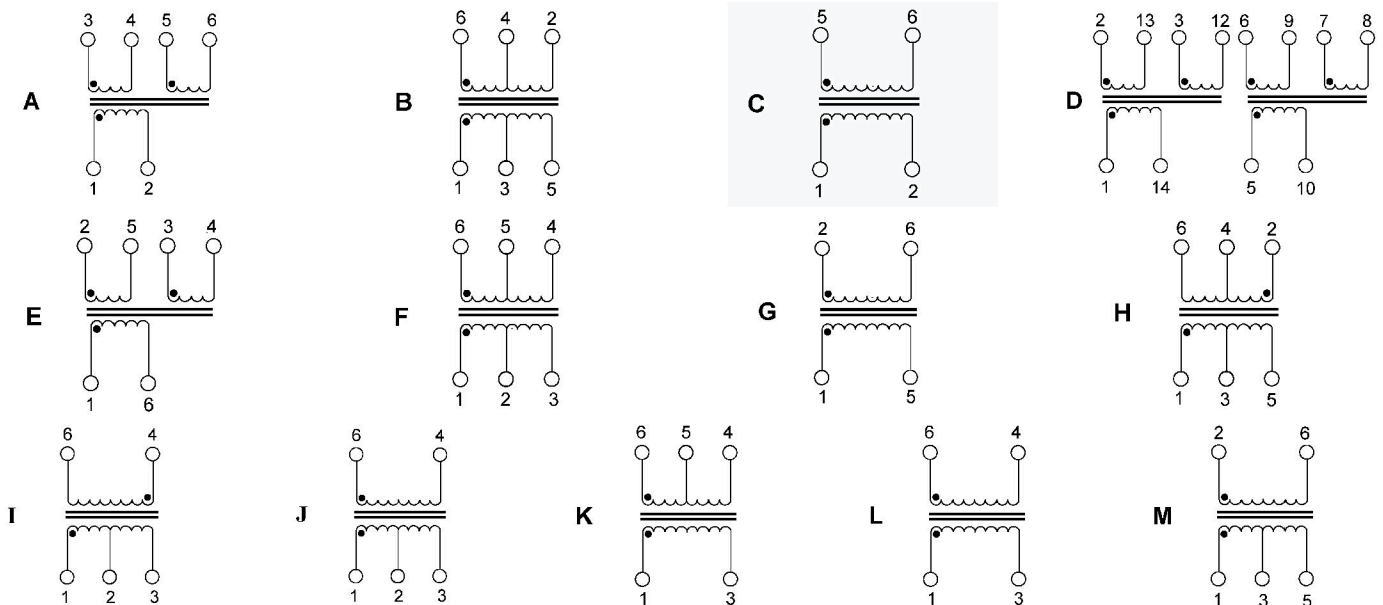
- Inductance ----- 100KHz/20mV
- Leakage Inductance ----- 100KHz/0.2V
- Interwinding Capacitance -- 100KHz/0.2V



ELECTRICAL SPECIFICATIONS @20°C-Operating temperature 0°C TO 70°C

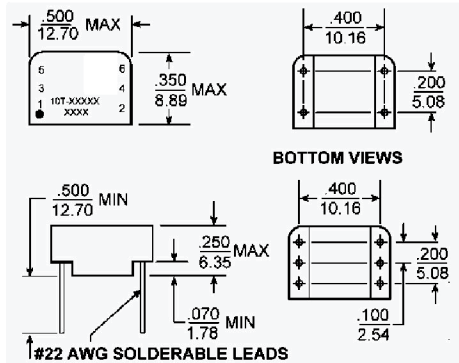
| PART NUMBER | TURNS RATIO (±5%) | PRIMARY SINE WAVE OCL (mH MIN) | PRIMARY ET-CONSTANT (V-μ sec) min | RISE TIME (nsec) max | PRI/SEC C _{ww} (pF MAX) | LEAKAGE INDUCTANCE PRI/SEC (μH MAX) | DCR PRIMARY (Ω MAX) | DCR SECONDARY (Ω MAX) | DCR TERTIARY (Ω MAX) | HI POT V _{rms} |
|-------------|-------------------|--------------------------------|-----------------------------------|----------------------|----------------------------------|-------------------------------------|---------------------|-----------------------|----------------------|-------------------------|
| 10T-50211A | 1:1:1 | 5.0 | 25.0 | 10.5 | 70 | 1.3 | 3.9 | 3.9 | 3.9 | 500 |
| 10T-20211A | 1:1:1 | 2.0 | 16.0 | 8.2 | 37 | 0.8 | 2.5 | 2.5 | 2.5 | 500 |
| 10T-50111A | 1:1:1 | 0.5 | 8.5 | 5.3 | 32 | 0.4 | 1.3 | 1.3 | 1.3 | 500 |
| 10T-20111A | 1:1:1 | 0.2 | 5.0 | 4.2 | 18 | 0.3 | 0.9 | 0.9 | 0.9 | 500 |
| 10T-50011A | 1:1:1 | 0.05 | 5.2 | 5.6 | 18 | 0.5 | 1.3 | 1.3 | 1.3 | 500 |
| 10T-50121A | 2:1:1 | 0.5 | 8.5 | 5.6 | 11 | 1.1 | 1.3 | 0.7 | 0.7 | 500 |
| 10T-20231B | 1CT:1CT | 2.0 | 16.0 | - | 37 | 0.8 | 2.5 | 2.5 | - | 700 |
| 10T-50131B | 1CT:1CT | 0.5 | 8.5 | - | 32 | 0.4 | 1.3 | 1.3 | - | 500 |
| 10T-20131B | 1CT:1CT | 0.2 | 5.0 | 4.2 | 18 | 0.3 | 0.9 | 0.9 | - | 700 |
| 10T-20241B | 2CT:1CT | 2.0 | 16.0 | - | 19 | 1.8 | 2.5 | 1.4 | - | 500 |
| 10T-50141B | 2CT:1CT | 0.5 | 8.5 | - | 12 | 1.2 | 1.4 | 0.8 | - | 700 |
| 10T-12251C | 1.25:1 | 1.2 | 10.0 | 10.0 | 35 | 0.8 | 0.8 | 0.7 | - | 1500 |
| 10T-85012D | 1:1:1 dual | .085 | 2.5 | 3.0 | 9.5 | 0.2 | 0.20 | - | - | 500 |
| 10T-50221A | 1:1:1 | 5.0 | 25.0 | 10.5 | 60 | 1.3 | 3.9 | 3.9 | 3.9 | 500 |
| 10T-20221A | 1:1:1 | 2.0 | 16.0 | 11.0 | 19 | 1.8 | 2.5 | 1.4 | 1.4 | 500 |
| 10T-50113E | 1:1:1 | 0.5 | 5.0 | 4.2 | 25 | 0.3 | 0.9 | 0.9 | 0.9 | 1500 |
| 10T-20113E | 1:1:1 | 0.2 | 4.0 | 3.5 | 18 | 0.2 | 0.7 | 0.7 | 0.7 | 1500 |
| 10T-50123E | 2:1:1 | 0.5 | 5.0 | 4.2 | 18 | 0.3 | 0.9 | 0.45 | 0.45 | 1500 |
| 10T-50133F | 1CT:1CT | 0.5 | 5.0 | 4.2 | 18 | 0.3 | 0.9 | 0.9 | - | 1500 |
| 10T-20133F | 1CT:1CT | 0.2 | 4.0 | 3.5 | 14 | 0.2 | 0.7 | 0.7 | - | 1500 |
| 10T-50143F | 2CT:1CT | 0.5 | 5.0 | 6.0 | 18 | 0.7 | 0.9 | 0.45 | - | 1500 |
| 10T-85013G | 1:1:1 dual | .085 | 2.5 | 3.0 | 9.5 | 0.2 | 0.20 | - | - | 500 |
| 10T-85013F | 1:1:1 | .085 | 2.5 | 3.0 | 9.5 | 0.2 | 0.20 | - | - | 500 |

SCHEMATICS

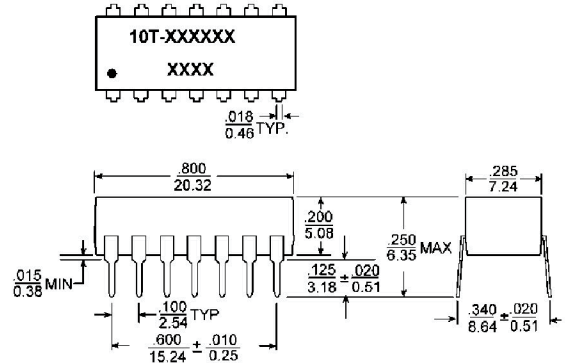


MARKINGS AND DIMENSIONS

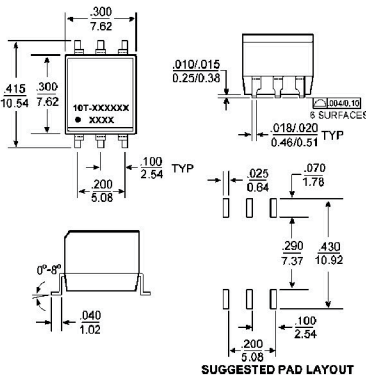
1



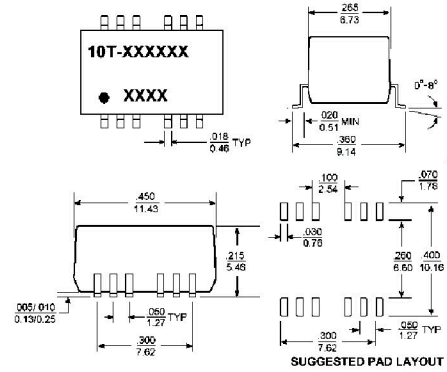
2



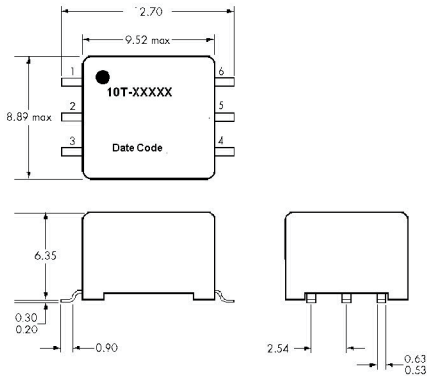
3



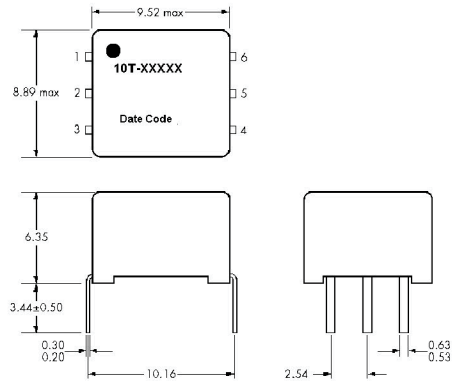
4



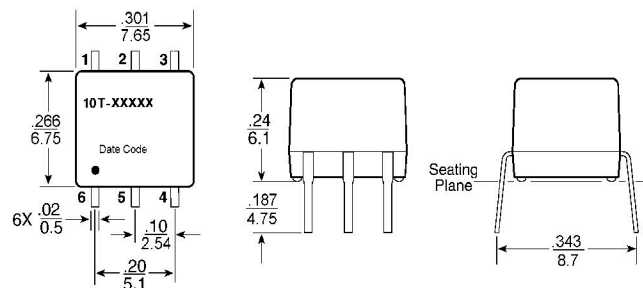
5



6



7



Dimensions: inches/mm Unless otherwise specified, all tolerances are ±.010/±0.25