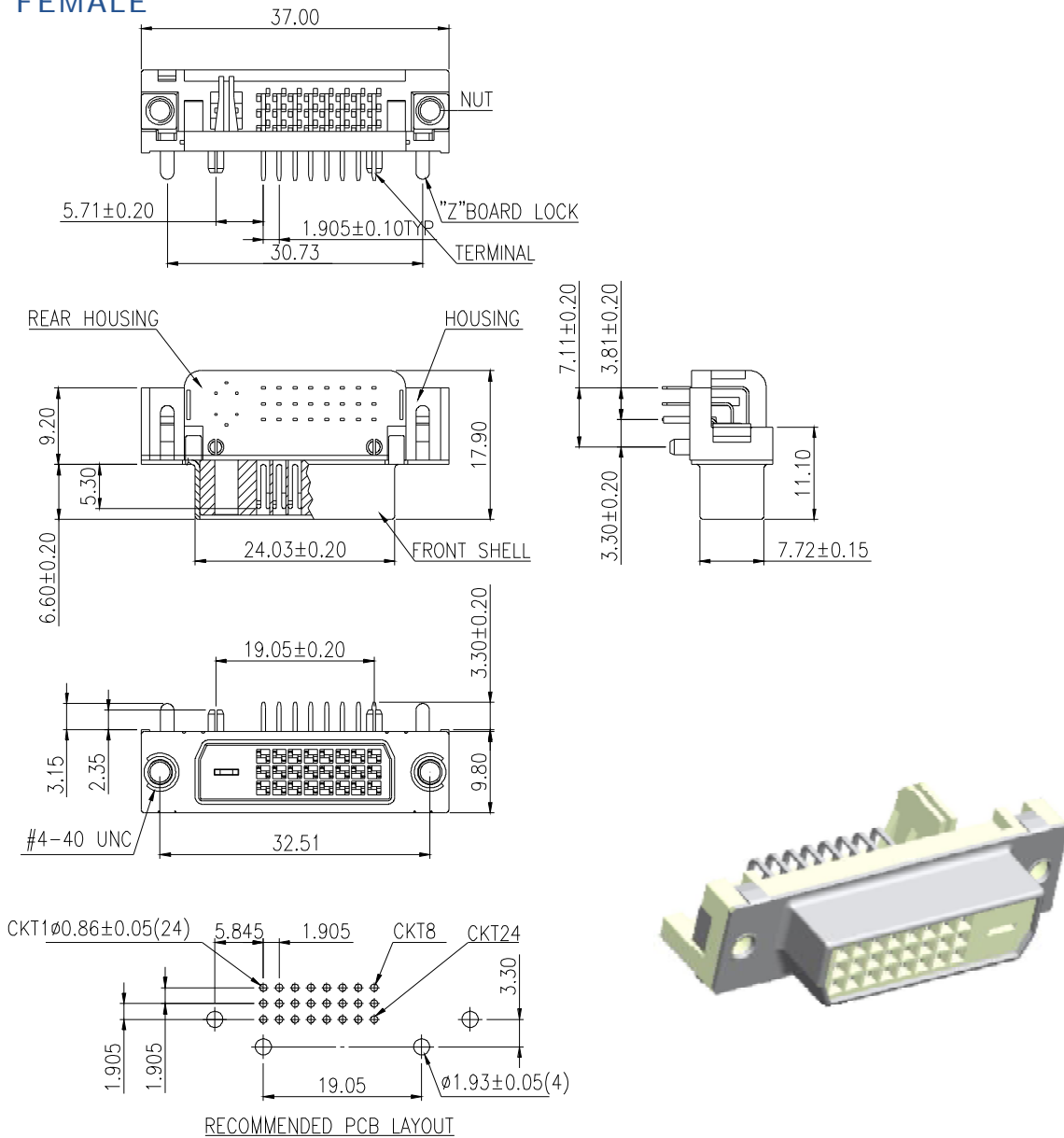


MMI

DVI CONNECOR

DVI CONNECTOR - *MOUNTING TYPE 2a* RIGHT ANGLE - Pa (25 PIN)

FEMALE



DVI	OXO	-	Pa	F	25	GX	-	2	a	
SERIES NO. OXO SERIE., COLOR TYPE -000: WHITE -010: BLACK -020: BEIGE		GENDER F:FEMALE		NO. OF CONTACT 25		BOARDLOCK OPTION 2 : 2 PRONG BOARDLOCK				
DVI CONNECTOR	PCB TYPE Pa: RIGHT ANGLE TYPE		CONTACT PLATING OPTION Gft: GOLD FLASH ON CONTACT, TIN PLATED ON SOLDER TAIL G15t: 15u" GOLD ON CONTACT, TIN PLATED ON SOLDER TAIL				WITH #4-40UNC THREAD INSERT GROUNDING BRACKET & BOARDLOCK			

ELECTRICAL CHARACTERISTIC

CONTACT CURRENT RATING: 3 AMP
 CONTACT RESISTANCE: 20 M OHM MAX.
 INSULATION RESISTANCE: 1000 OHM MIN.
 DIELECTRIC WITHSTANDING VOLTAGE: AC 500V / MIN
 OPERATING TEMPERATURE: -20°C - +85°C

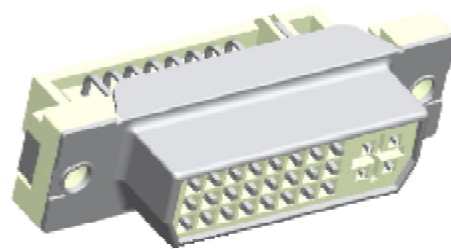
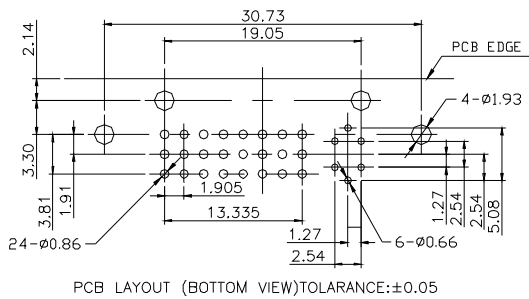
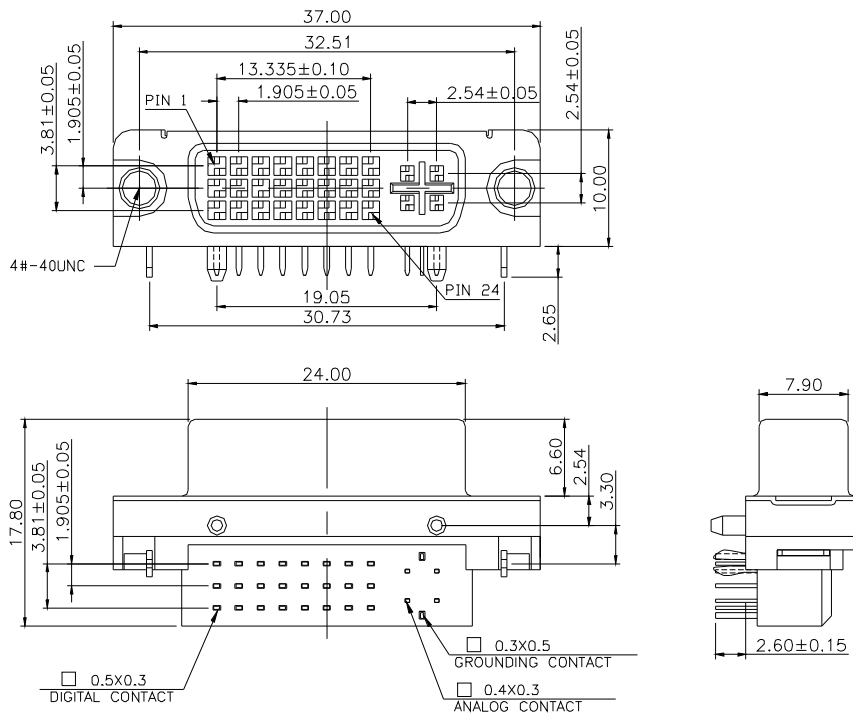
MATERIALS

TERMINAL: PHOSPHOR BRONZE
 Z BOARD LOCK: BRASS
 NUT: BRASS
 SHELL: SPCC
 HOUSING: HIGH TEMPERATURE POLYESTER + G F., UL 94V- 0

NOTE : SOME SIZES, STYLES AND OPTION ARE NON-STANDARD, NON-CANCELLABLE, NON-RETURNABLE

DVI CONNECTOR 0X0- MOUNTING TYPE 2a RIGHT ANGLE - Pa (29 PIN)

FEMALE



DVI **0X0** **-** **Pa** **F** **29** **GX** **-** **2** **a**

SERIES NO.
0X0 SERIE., COLOR TYPE
-000: WHITE
-020: BEIGE

NO. OF CONTACT
29

BOARDLOCK OPTION
2 : 2 PRONG BOARDLOCK

DVI CONNECTOR

PCB TYPE
Pa: RIGHT ANGLE TYPE

GENDER
F: FEMALE

CONTACT PLATING OPTION
G1f: GOLD FLASH ON CONTACT, TIN PLATED ON SOLDER TAIL
G15t: 15u" GOLD ON CONTACT, TIN PLATED ON SOLDER TAIL

WITH #4-40UNC THREAD INSERT
GROUNDING BRACKET & BOARDLOCK

ELECTRICAL CHARACTERISTIC

CONTACT CURRENT RATING: 3 AMP
CONTACT RESISTANCE: 20 M OHM MAX.
INSULATION RESISTANCE: 1000 OHM MIN.
DIELECTRIC WITHSTANDING VOLTAGE: AC 500V / MIN
OPERATING TEMPERATURE:-20°C - +85°C

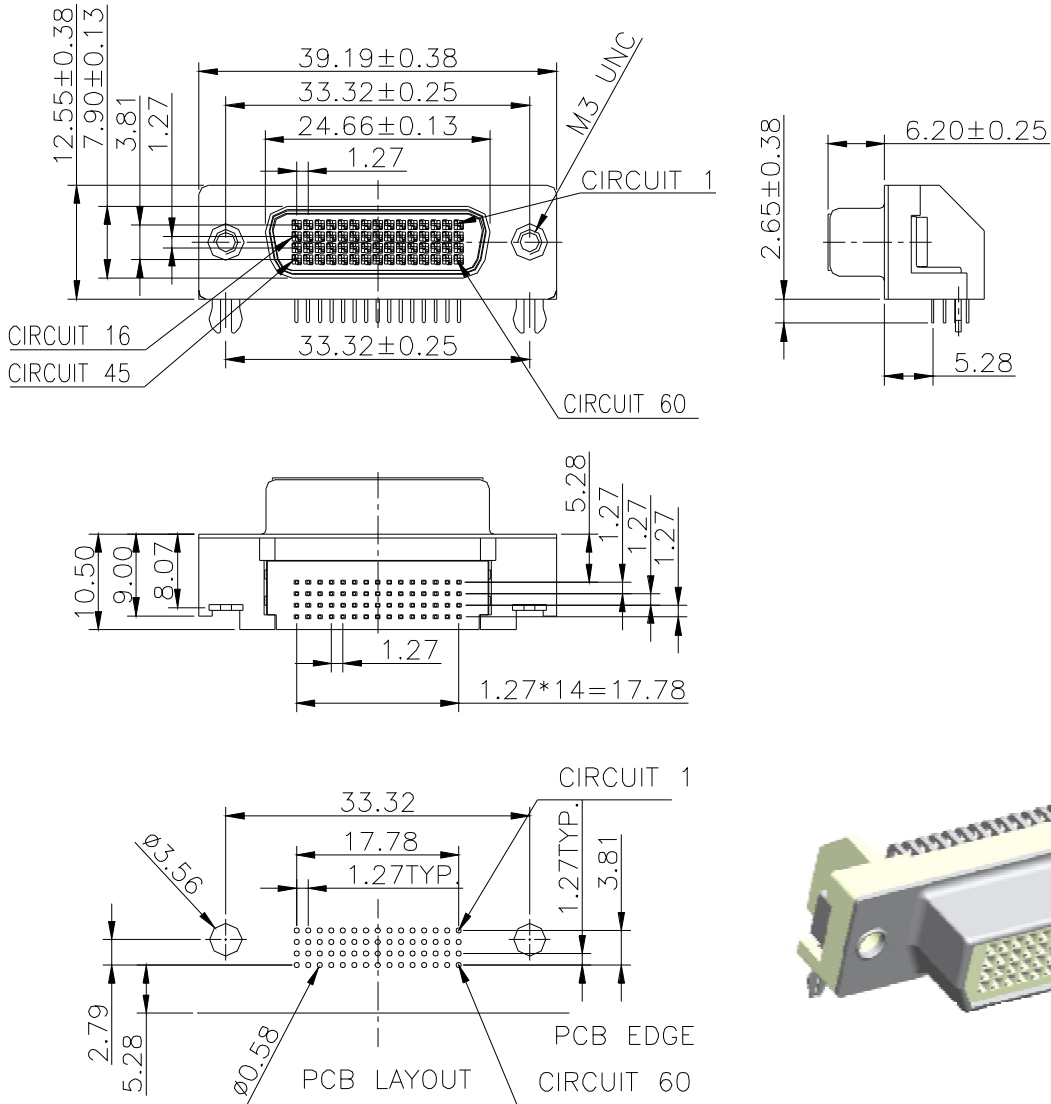
MATERIALS

INSULATOR: GLASS FIBER REINFORCED THERMOPLASTIC LCP UL94V-0
CONTACT: PHOSPHOR BRONZE
SHELL: STEEL, TIN PLATED
BOARDLOCK: BRASS, TIN PLATED
RIVET: BRASS, NICKEL PLATED

NOTE : SOME SIZES, STYLES AND OPTION ARE NON-STANDARD, NON-CANCELLABLE, NON-RETURNABLE

DVI CONNECTOR 004 - MOUNTING TYPE 2a RIGHT ANGLE - Pa

FEMALE



DVI **004** **Pa** **F** **60** **GX** **2** **a**

SERIES NO.
004

NO. OF CONTACT
60

BOARDLOCK OPTION
2 : 2 PRONG BOARDLOCK

DVI CONNECTOR

PCB TYPE
Pa: RIGHT ANGLE TYPE

GENDER
F: FEMALE

CONTACT PLATING OPTION
G1: GOLD FLASH ON CONTACT, TIN PLATED ON SOLDER TAIL
G15t: 15u" GOLD ON CONTACT, TIN PLATED ON SOLDER TAIL

WITH #4-40UNC THREAD INSERT GROUNDING BRACKET & BOARDLOCK

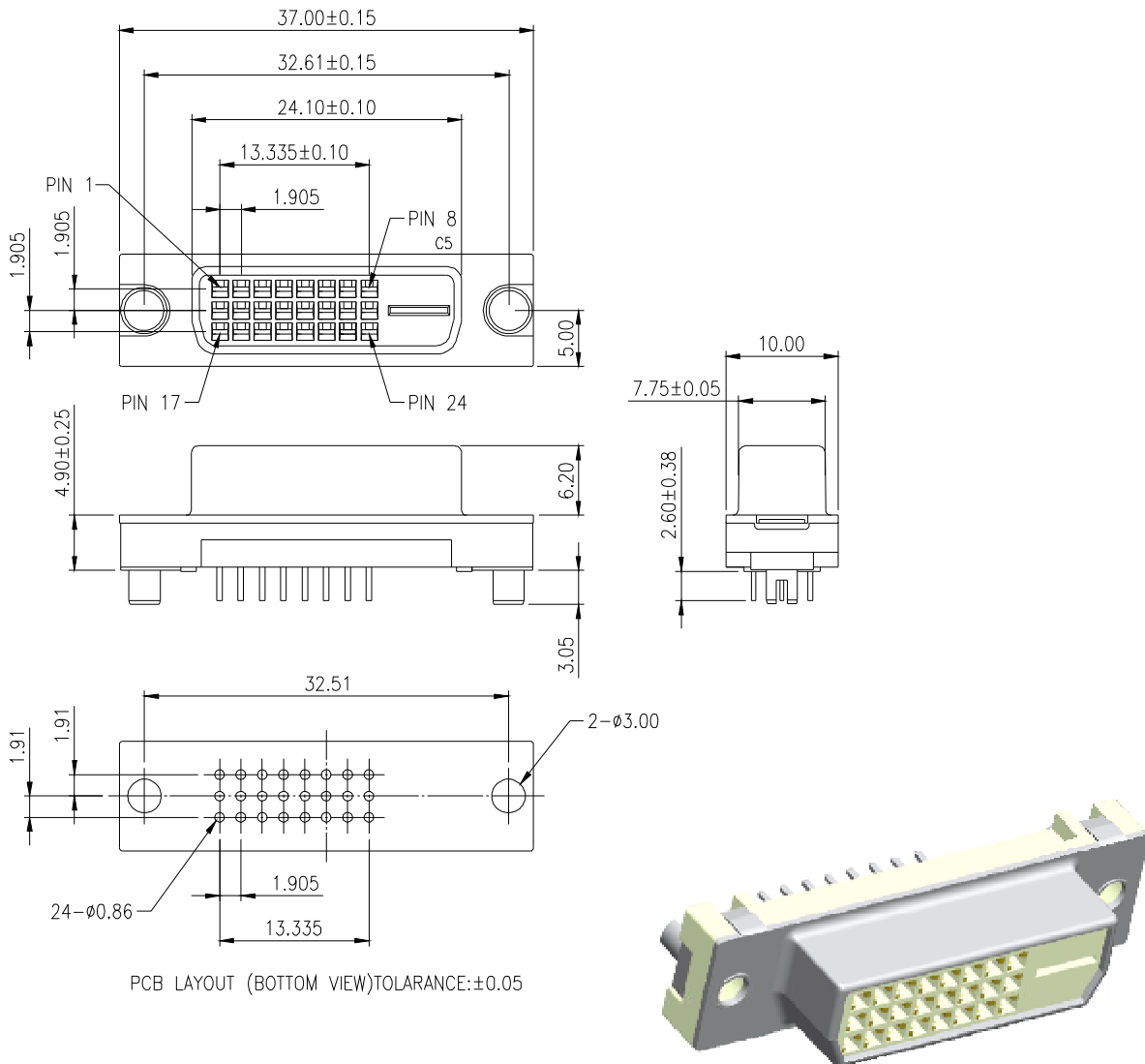
MATERIALS

TERMINAL: PHOSPHOR BRONZE
Z BOARD LOCK: BRASS
NUT: BRASS
SHELL: SPCC
HOUSING: HIGH TEMPERATURE POLYESTER + G F., UL 94V-0

NOTE : SOME SIZES, STYLES AND OPTION ARE NON-STANDARD, NON-CANCELLABLE, NON-RETURNABLE

DVI CONNECTOR 020 - MOUNTING TYPE 2a STRAIGHT TYPE - P (25 PIN)

FEMALE



DVI **020** **-** **P** **F** **25** **GX** **-** **2** **a**

SERIES NO.
-020: COLOR TYPE: BEIGE

NO. OF CONTACT
25

BOARDLOCK OPTION
2 : 2 PRONG BOARDLOCK

DVI CONNECTOR

PCB TYPE
P: STRAIGHT TYPE

GENDER
F: FEMALE

CONTACT PLATING OPTION
Gf1: GOLD FLASH ON CONTACT, TIN PLATED ON SOLDER TAIL
G15t: 15u" GOLD ON CONTACT, TIN PLATED ON SOLDER TAIL

**WITH #4-40UNC THREAD INSERT
GROUNDING BRACKET & BOARDLOCK**

ELECTRICAL CHARACTERISTIC

CONTACT CURRENT RATING: 1.5 AMP
CONTACT RESISTANCE: 20 M OHM MAX.
INSULATION RESISTANCE: 1000 OHM MIN.
DIELECTRIC WITHSTANDING VOLTAGE: AC 500V / MIN
VOLTAGE RATING: 40 VOLTS AC (RMS) CONTINUOUS MAX.
OPERATING TEMPERATURE:-20°C- +85°C

MATERIALS

INSULATOR: GLASS FIBER REINFORCED THERMOPLASTIC LCP UL94V-0
CONTACT: PHOSPHOR BRONZE, GOLD FLASH ON CONTACT.
TIN PLATED ON TAIL 100u"
OVER NICKEL PLATED 50u"
SHELL: ZINC ALLOY, NICKEL PLATED.
GROUNDING CUP: BRASS, TIN PLATED
RIVET: BRASS, NICKEL PLATED

NOTE : SOME SIZES, STYLES AND OPTION ARE NON-STANDARD, NON-CANCELLABLE, NON-RETURNABLE

www.mmtmachrone.com

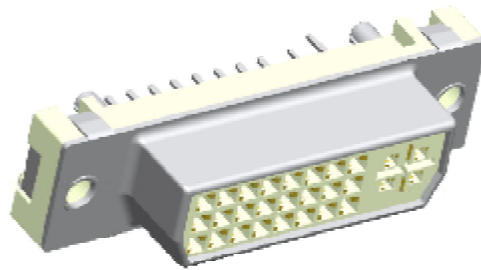
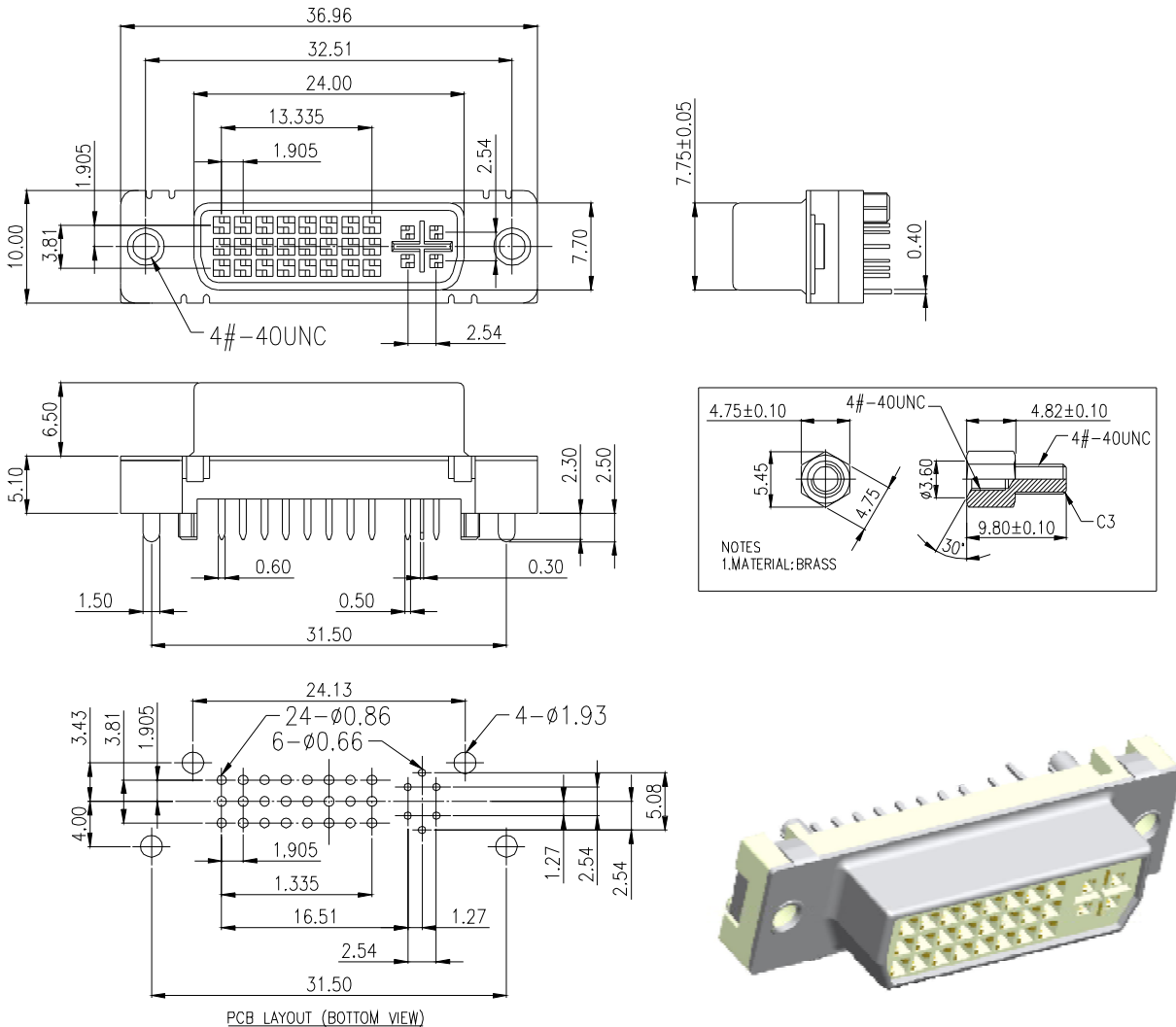
USA TEL : 1-510-979-2188
FAX : 1-510-979-2189

TAIWAN TEL : 886-2-2755-3193
FAX : 886-2-2784-5109

SINGAPORE TEL : 65-6274-0566
FAX : 65-6274-7891

DVI CONNECTOR 020 - MOUNTING TYPE 2a STRAIGHT TYPE-P (29 PIN)

FEMALE



DVI **020** **P** **F** **29** **GX** **2** **a**

SERIES NO.
-020: COLOR TYPE: BEIGE

NO. OF CONTACT
29

BOARDLOCK OPTION
2 : 2 PRONG BOARDLOCK

DVI CONNECTOR

PCB TYPE
P: STRAIGHT TYPE

GENDER
F: FEMALE

CONTACT PLATING OPTION
Gf: GOLD FLASH ON CONTACT, TIN PLATED ON SOLDER TAIL
G15: 15u" GOLD ON CONTACT, TIN PLATED ON SOLDER TAIL

**WITH #4-40UNC THREAD INSERT
GROUNDING BRACKET & BOARDLOCK**

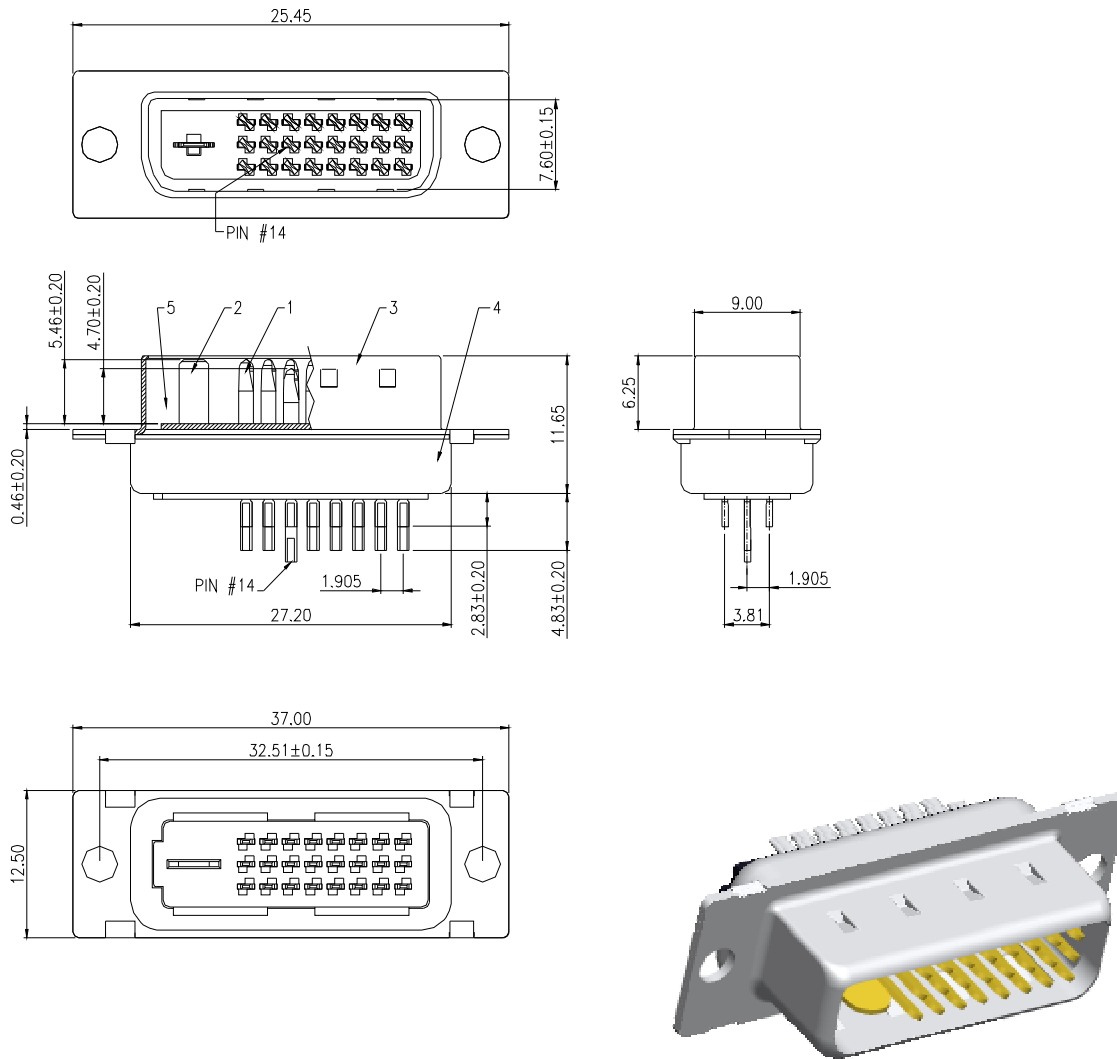
ELECTRICAL CHARACTERISTIC
CONTACT CURRENT RATING: 1.5 A MIN. 3 A MAX.
CONTACT RESISTANCE: 20 M OHM MAX.
INSULATION RESISTANCE: 1000 OHM MIN.
DIELECTRIC WITHSTANDING VOLTAGE: AC 500V / MIN
VOLTAGE RATING: 40 VOLTS AC (RMS) CONTINUOUS MAX.
OPERATING TEMPERATURE:-55°C~ +125°C

MATERIALS
INSULATOR: LCP UL94V-0
CONTACT: PHOSPHOR BRONZE, GOLD FLASH ON CONTACT.
TIN PLATED ON TAIL 100u"
OVER NICKEL PLATED 50u"
SHELL: IRON, NICKEL PLATED.
GROUNDING CUP: BRASS, TIN PLATED
RIVET: BRASS, NICKEL PLATED

NOTE : SOME SIZES, STYLES AND OPTION ARE NON-STANDARD, NON-CANCELLABLE, NON-RETURNABLE

DVI CONNECTOR 4X0 - MOUNTING TYPE H SOLDER CUP TYPE - Sc (25 PIN)

MALE



DVI	4X0	-	Sc	M	25	GX	-	H
SERIES NO. 4X0 SERIES., COLOR TYPE - 400: WHITE - 410: BLACK - 420: BEIGE				NO. OF CONTACT 25				
DVI CONNECTOR	PCB TYPE Sc: SOLDER CUP TYPE	GENDER M: MALE		CONTACT PLATING OPTION Gf1: GOLD FLASH ON CONTACT, TIN PLATED ON SOLDER TAIL G15t: 15u" GOLD ON CONTACT, TIN PLATED ON SOLDER TAIL			H: WITH MOUNTING HOLE ONLY	

ELECTRICAL CHARACTERISTIC

VOLTAGE CURRENT RATING: 1.5 A MIN. 40V AC
 CONTACT RESISTANCE: 20 M OHM MAX.
 INSULATION RESISTANCE: 1000 OHM MIN.
 DIELECTRIC WITHSTANDING VOLTAGE: AC 500V / MIN
 OPERATING TEMPERATURE:-20°C~ + 85°C

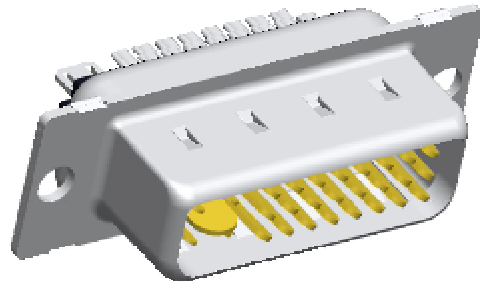
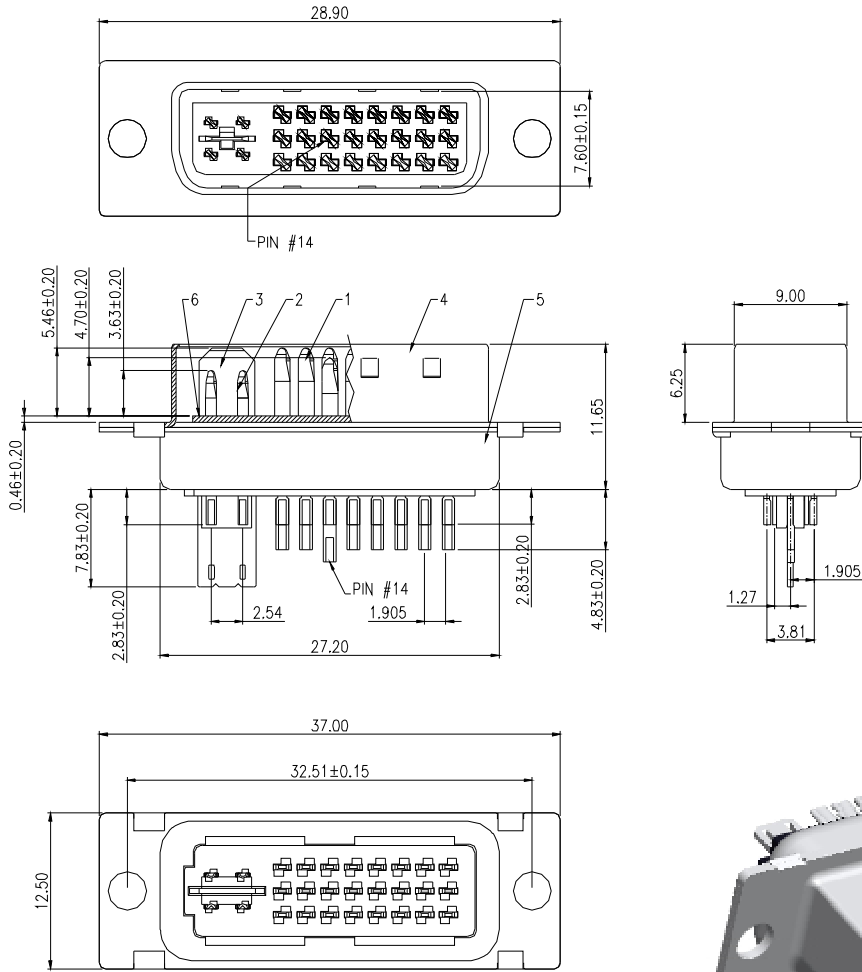
MATERIALS

TERMINAL: COPPER ALLOY
 SHELL: STEEL
 HOUSING: THERMOPLASTIC, UL 94V- 0

NOTE : SOME SIZES, STYLES AND OPTION ARE NON-STANDARD, NON-CANCELLABLE, NON-RETURNABLE

DVI CONNECTOR 4X0 - MOUNTING TYPE H SOLDER CUP TYPE - Sc (29 PIN)

FEMALE



DVI	4X0	Sc	M	29	GX	H
DVI CONNECTOR	SERIES NO. 4X0 SERIES., COLOR TYPE - 400: WHITE - 410: BLACK - 420: BEIGE	PCB TYPE Sc: SOLDER CUP TYPE	GENDER M: MALE	NO. OF CONTACT 29	CONTACT PLATING OPTION Gf: GOLD FLASH ON CONTACT, TIN PLATED ON SOLDER TAIL G15t: 15u" GOLD ON CONTACT, TIN PLATED ON SOLDER TAIL	H: WITH MOUNTING HOLE ONLY

ELECTRICAL CHARACTERISTIC
 VOLTAGE CURRENT RATING: 1.5 A MIN. 40V AC
 CONTACT RESISTANCE: 20 M OHM MAX.
 INSULATION RESISTANCE: 1000 OHM MIN.
 DIELECTRIC WITHSTANDING VOLTAGE: AC 500V / MIN
 OPERATING TEMPERATURE:-20°C~ + 85°C

MATERIALS
 TERMINAL: COPPER ALLOY
 SHELL: STEEL
 HOUSING: THERMOPLASTIC, UL 94V-0

NOTE : SOME SIZES, STYLES AND OPTION ARE NON-STANDARD, NON-CANCELLABLE, NON-RETURNABLE