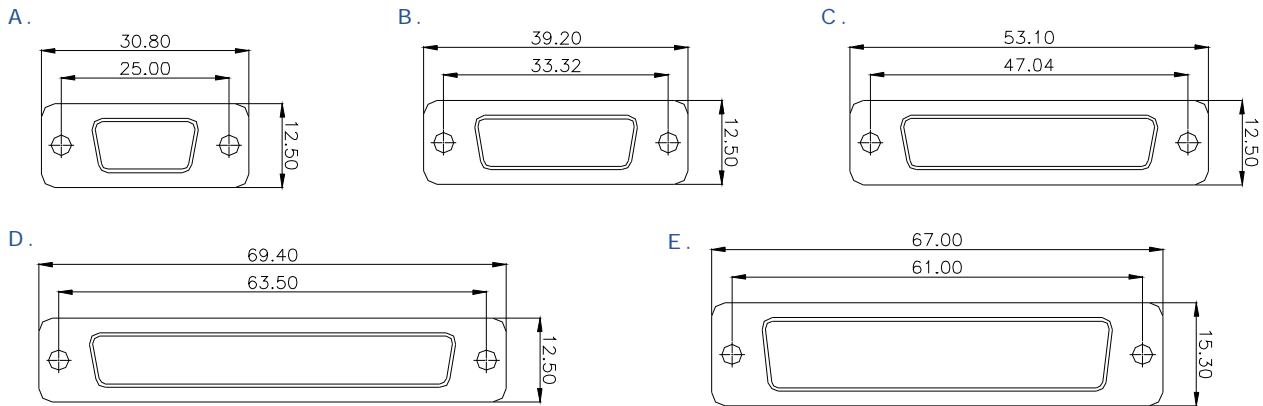


MMI

**COMBO D-SUB
(WIRE TYPE)**

COMBINATION D- SUB SERIES - SHELL SIZE



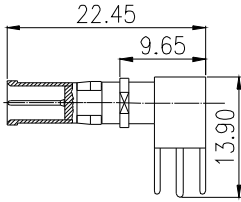
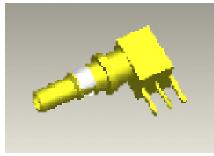
COMBINATION D- SUB SERIES - CONTACT ARRANGEMENTS

TYPE							
CONTACT ARRANGEMENT	2W2	5W1	3W3	7W2	11W1	5W5	9W4
SHELL SIZE	A	A	B	B	B	C	C
NO. of SIGNAL CONTACTS	0	4	0	5	10	0	5
NO. of COAXIAL CONTACTS	2	1	3	2	1	5	4
TYPE							
CONTACT ARRANGEMENT	13W3	17W2	21W1	8W8			
SHELL SIZE	C	C	C	D			
NO. of SIGNAL CONTACTS	10	15	20	0			
NO. of COAXIAL CONTACTS	3	2	1	8			
TYPE							
CONTACT ARRANGEMENT	13W6	17W5	21W4				
SHELL SIZE	D	D	D				
NO. of SIGNAL CONTACTS	7	12	17				
NO. of COAXIAL CONTACTS	6	5	4				
TYPE							
CONTACT ARRANGEMENT	25W3	27W2	24W7				
SHELL SIZE	D	D	E				
NO. of SIGNAL CONTACTS	22	25	17				
NO. of COAXIAL CONTACTS	3	2	7				
TYPE							
CONTACT ARRANGEMENT	36W4	43W2	47W1				
SHELL SIZE	E	E	E				
NO. of SIGNAL CONTACTS	36	41	46				
NO. of COAXIAL CONTACTS	4	2	1				

NOTE : SOME SIZES, STYLES AND OPTION ARE NON-STANDARD, NON-CANCELLABLE, NON-RETURNABLE

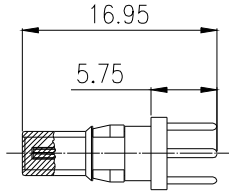
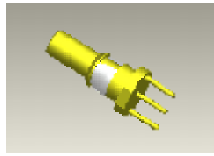
COAXIAL CONTACT FOR COMBINATION D- SUB

RIGHT ANGLE



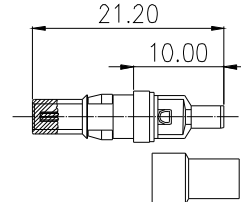
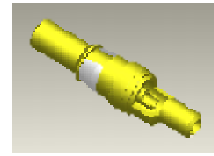
PLUG CONTACT:
IMPEDANCE: 50 OHM / 75 OHMS

STRAIGHT DIP

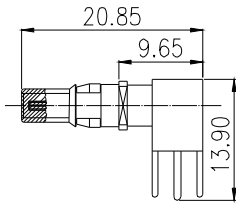
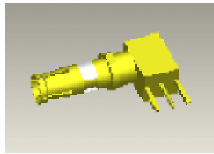


PLUG CONTACT:
IMPEDANCE: 50 OHM / 75 OHMS

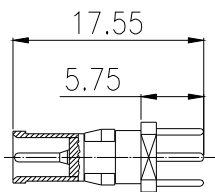
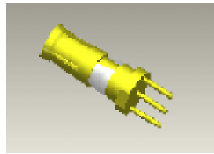
SOLDER CUP



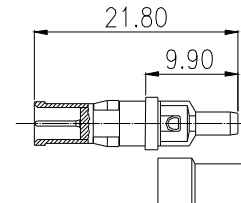
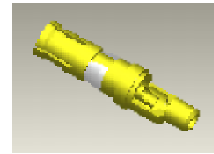
PLUG CONTACT:
IMPEDANCE: 50 OHM / 75 OHMS



RECEPTACLE CONTACT:
IMPEDANCE: 50 OHM / 75 OHMS



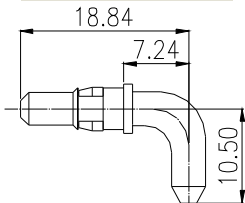
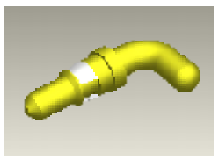
RECEPTACLE CONTACT:
IMPEDANCE: 50 OHM / 75 OHMS



RECEPTACLE CONTACT:
IMPEDANCE: 50 OHM / 75 OHMS

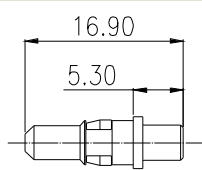
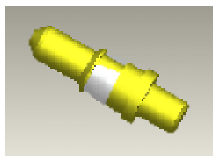
HIGH POWER CONTACT FOR COMBINATION D- SUB

RIGHT ANGLE



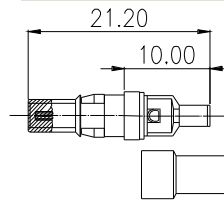
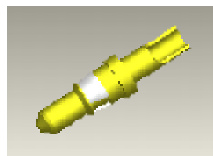
PLUG CONTACT:
CURRENT RATING: 20A / 40 A

STRAIGHT DIP



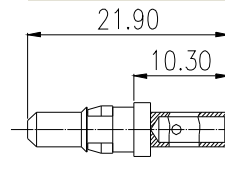
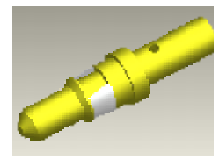
PLUG CONTACT:
CURRENT RATING: 20A / 40 A

SOLDER CUP

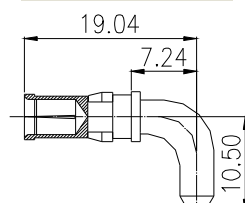
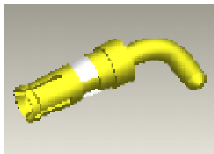


PLUG CONTACT:
CURRENT RATING: 20A / 40 A

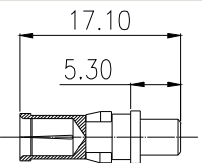
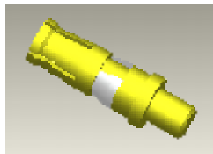
CRIMP TYPE



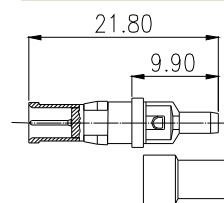
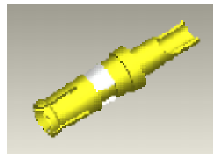
PLUG CONTACT:
CURRENT RATING: 20A / 40 A



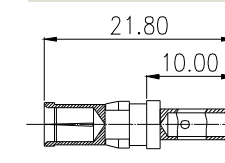
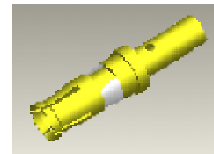
RECEPTACLE CONTACT:
CURRENT RATING: 20A / 40A



RECEPTACLE CONTACT:
CURRENT RATING: 20A / 40A



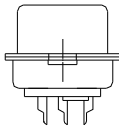
RECEPTACLE CONTACT:
CURRENT RATING: 20A / 40A



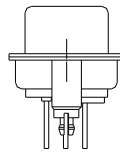
RECEPTACLE CONTACT:
CURRENT RATING: 20A / 40A

NOTE : SOME SIZES, STYLES AND OPTION ARE NON-STANDARD, NON-CANCELLABLE, NON-RETURNABLE

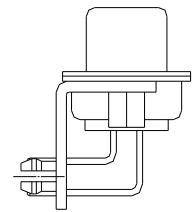
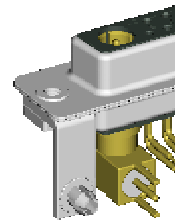
COMBO D-SUB MOUNTING OPTIONS



H TYPE
WITH MOUNTING HOLE ONLY

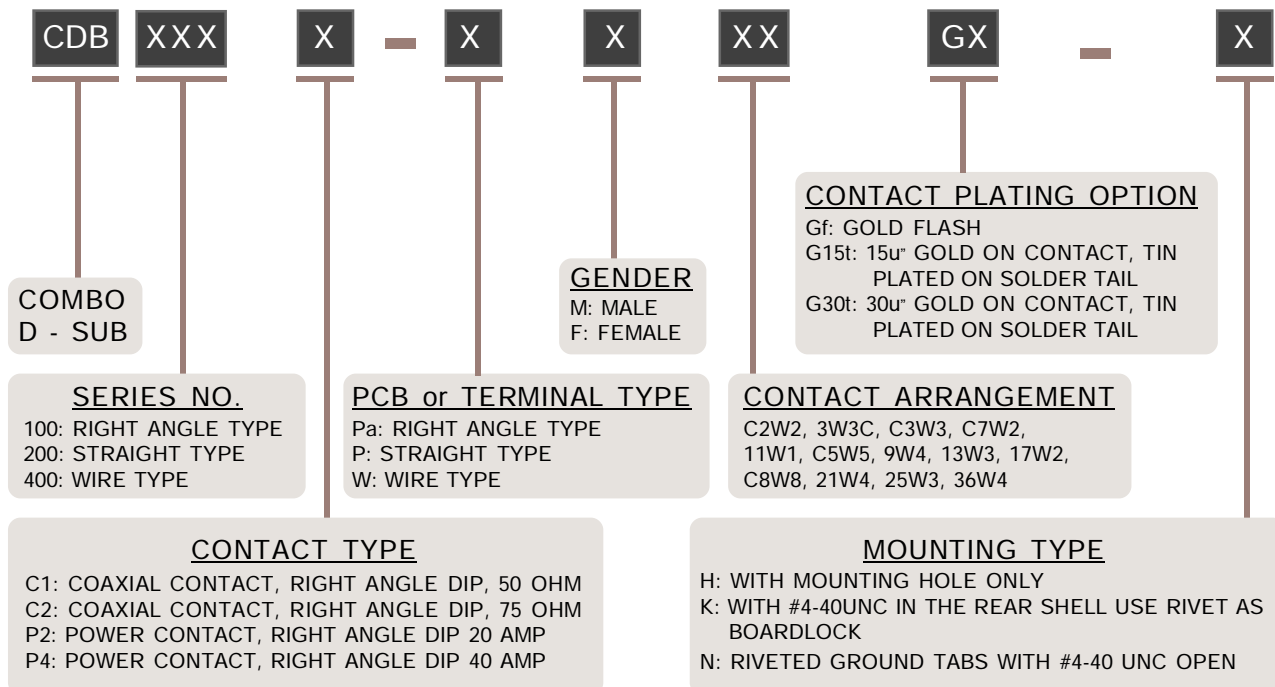


K TYPE
WITH #4-40UNC IN THE REAR SHELL
USE RIVET AS BOARDLOCK



N TYPE
WITH #4-40UNC IN THE REAR SHELL
USE RIVET AS BOARDLOCK

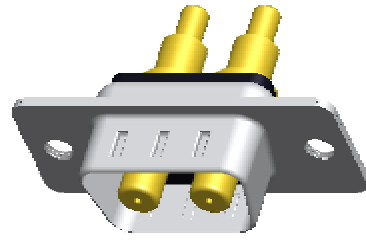
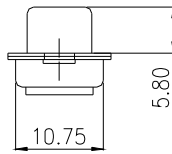
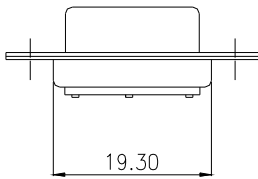
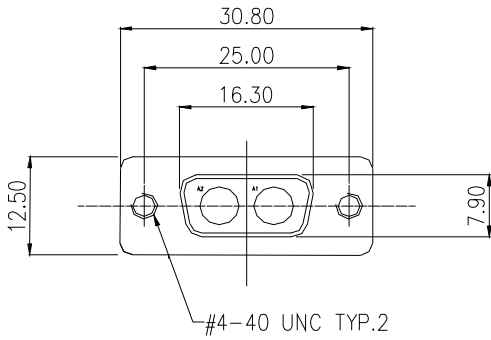
COMBO D-SUB PART NO. INFORMATION



NOTE : SOME SIZES, STYLES AND OPTION ARE NON-STANDARD, NON-CANCELLABLE, NON-RETURNABLE

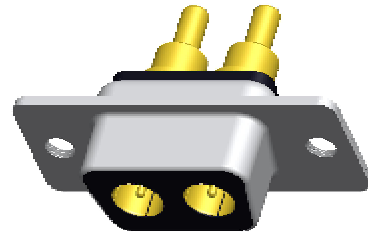
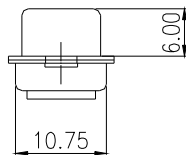
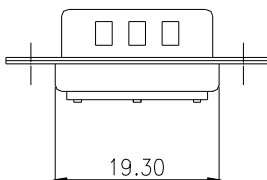
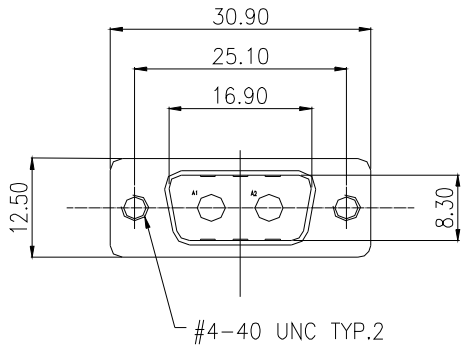
CDB 400 SERIES - C2W2 MOUNTING TYPE H WIRE TYPE - W

MALE



POWER CONTACT		COAXIAL CONTACT	
20A : CDB400P2-WMC2W2GX	50Ω : CDB400C1-WMC2W2GX		
40A : CDB400P4-WMC2W2GX	75Ω : CDB400C2-WMC2W2GX		
	20A/40A		50Ω/75Ω
POWER CONTACT SOLDER CUP		COAXIAL CONTACT SOLDER CUP	

FEMALE



POWER CONTACT		COAXIAL CONTACT	
20A : CDB400P2-WFC2W2GX	50Ω : CDB400C1-WFC2W2GX		
40A : CDB400P4-WFC2W2GX	75Ω : CDB400C2-WFC2W2GX		
	20A/40A		50Ω/75Ω
POWER CONTACT SOLDER CUP		COAXIAL CONTACT SOLDER CUP	

CDB	400	X	-	W	X	C2W2	GX	-	H
COMBO D-SUB	SERIES NO. 400: WIRE TYPE	TERMINAL TYPE W: WIRE TYPE		TERMINAL TYPE W: WIRE TYPE	GENDER M: MALE F: FEMALE	CONTACT ARRANGEMENT C2W2 TYPE	CONTACT ARRANGEMENT GX TYPE		MOUNTING TYPE H: WITH MOUNTING HOLE ONLY
CONTACT TYPE C1: COAXIAL CONTACT, WIRE TYPE, 50 OHM C2: COAXIAL CONTACT, WIRE TYPE, 75 OHM P2: POWER CONTACT, WIRE TYPE, 20 AMP P4: POWER CONTACT, WIRE TYPE, 40AMP					CONTACT PLATING OPTION Gf: GOLD FLASH G15t: 15u" GOLD ON CONTACT, TIN PLATED ON SOLDER TAIL G30t: 30u" GOLD ON CONTACT, TIN PLATED ON SOLDER TAIL				

ELECTRICAL CHARACTERISTIC

CONTACT CURRENT RATING: 3 AMP
CONTACT RESISTANCE: 10M OHM MAX.
INSULATION RESISTANCE: 5000 OHM MIN
DIELECTRIC WITHSTANDING VOLTAGE: 1000VAC
OPERATING TEMPERATURE:-55°C- +125°C

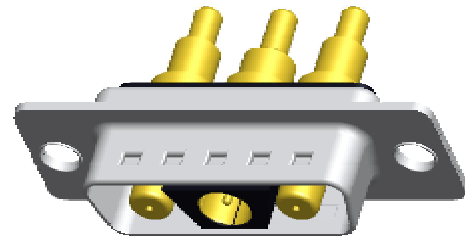
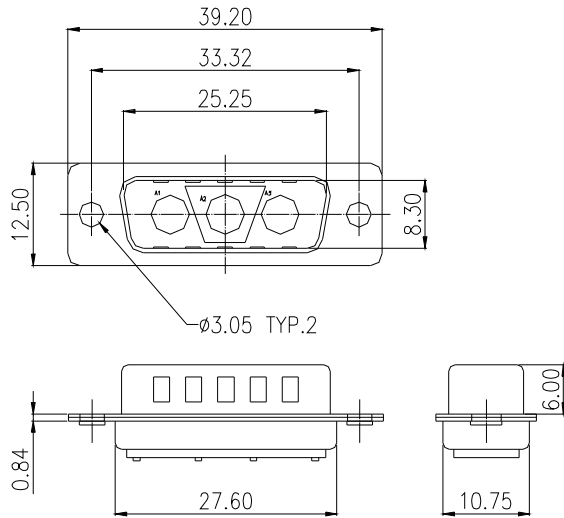
MATERIALS

INSULATOR: P.B.T. UL 94V-0 RATED
SHELL: SPCC - SB
CONTACT: BRASS
CONTACT PLATING: Au

NOTE : SOME SIZES, STYLES AND OPTION ARE NON-STANDARD, NON-CANCELLABLE, NON-RETURNABLE

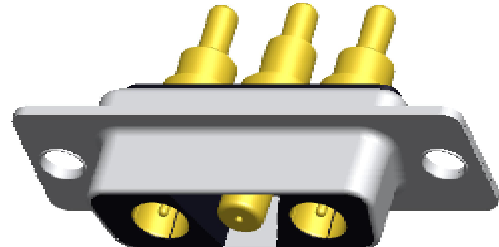
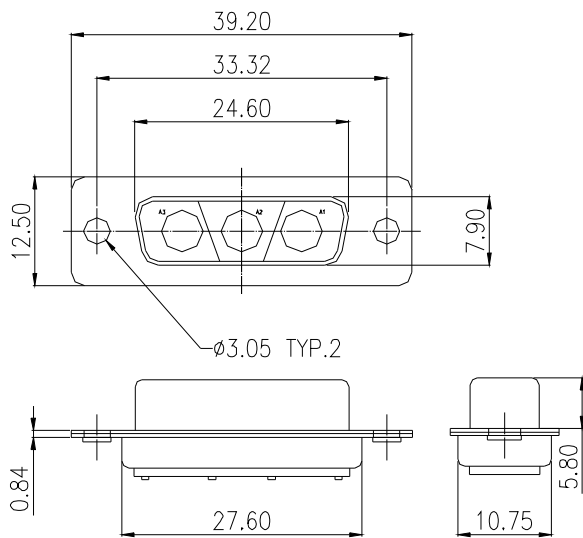
CDB 400 SERIES - 3W3C MOUNTING TYPE H WIRE TYPE - W

MALE



POWER CONTACT		COAXIAL CONTACT	
20A : CDB400P2-WM3W3CGX	40A : CDB400P4-WM3W3CGX	50Ω : CDB400C1-WM3W3CGX	75Ω : CDB400C2-WM3W3CGX
POWER CONTACT SOLDER CUP		COAXIAL CONTACT SOLDER CUP	

FEMALE



POWER CONTACT		COAXIAL CONTACT	
20A : CDB400P2-WF3W3CGX	40A : CDB400P4-WF3W3CGX	50Ω : CDB400C1-WF3W3CGX	75Ω : CDB400C2-WF3W3CGX
POWER CONTACT SOLDER CUP		COAXIAL CONTACT SOLDER CUP	

CDB	400	X	-	W	X	3W3C	GX	-	H
COMBO D-SUB	SERIES NO. 400: WIRE TYPE	TERMINAL TYPE W: WIRE TYPE		GENDER M: MALE F: FEMALE		CONTACT ARRANGEMENT 3W3C TYPE			MOUNTING TYPE H: WITH MOUNTING HOLE ONLY
CONTACT TYPE C1: COAXIAL CONTACT, WIRE TYPE, 50 OHM C2: COAXIAL CONTACT, WIRE TYPE, 75 OHM P2: POWER CONTACT, WIRE TYPE, 20 AMP P4: POWER CONTACT, WIRE TYPE, 40AMP					CONTACT PLATING OPTION Gf: GOLD FLASH G15t: 15μ" GOLD ON CONTACT, TIN PLATED ON SOLDER TAIL G30t: 30μ" GOLD ON CONTACT, TIN PLATED ON SOLDER TAIL				

ELECTRICAL CHARACTERISTIC

CONTACT CURRENT RATING: 3 AMP
 CONTACT RESISTANCE: 10M OHM MAX.
 INSULATION RESISTANCE: 5000 OHM MIN
 DIELECTRIC WITHSTANDING VOLTAGE: 1000VAC
 OPERATING TEMPERATURE: -55°C - +125°C

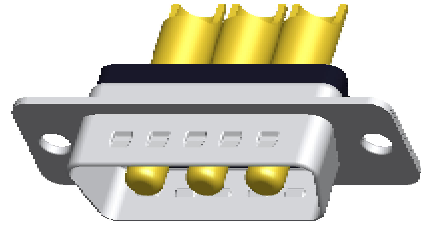
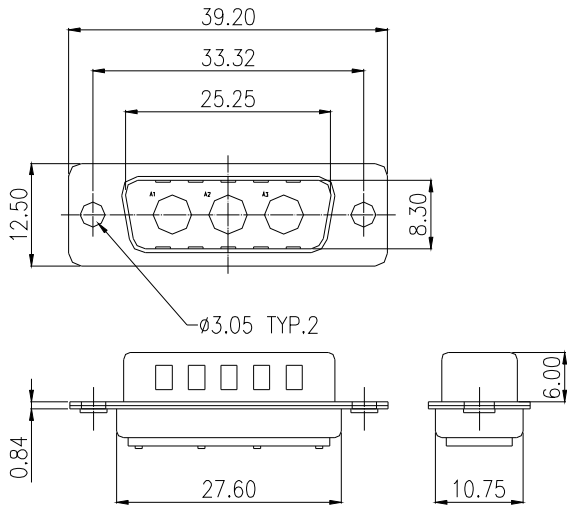
MATERIALS

INSULATOR: P.B.T. UL 94V-0 RATED
 SHELL: SPCC - SB
 CONTACT: BRASS
 CONTACT PLATING: Au

NOTE : SOME SIZES, STYLES AND OPTION ARE NON-STANDARD, NON-CANCELLABLE, NON-RETURNABLE

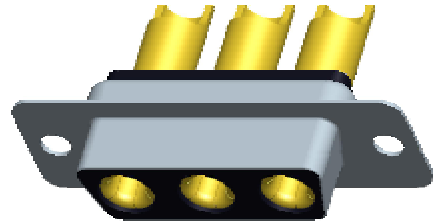
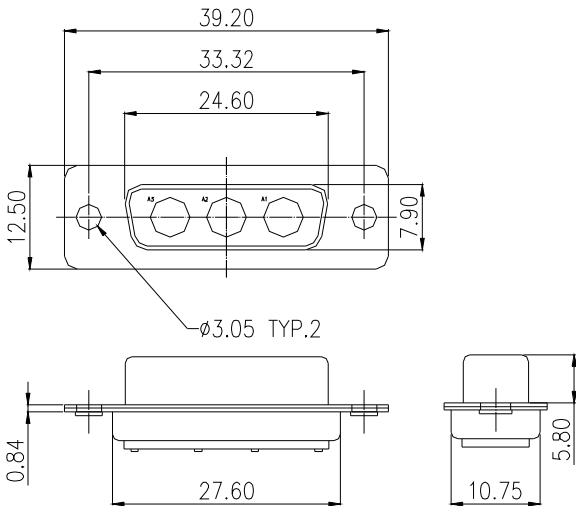
CDB 400 SERIES - C3W3 MOUNTING TYPE H WIRE TYPE - W

MALE



POWER CONTACT		COAXIAL CONTACT	
20A : CDB400P2-WMC3W3GX	50Ω : CDB400C1-WMC3W3GX		
40A : CDB400P4-WMC3W3GX	75Ω : CDB400C2-WMC3W3GX		
		21.90 20A/40A	21.20 50Ω/75Ω
POWER CONTACT SOLDER CUP		COAXIAL CONTACT SOLDER CUP	

FEMALE



POWER CONTACT		COAXIAL CONTACT	
20A : CDB400P2-WFC3W3GX	50Ω : CDB400C1-WFC3W3GX		
40A : CDB400P4-WFC3W3GX	75Ω : CDB400C2-WFC3W3GX		
		21.80 20A/40A	21.80 50Ω/75Ω
POWER CONTACT SOLDER CUP		COAXIAL CONTACT SOLDER CUP	

CDB	400	X	-	W	X	C3W3	GX	-	H
COMBO D-SUB	SERIES NO. 400: WIRE TYPE	TERMINAL TYPE W: WIRE TYPE		TERMINAL TYPE W: WIRE TYPE	GENDER M: MALE F: FEMALE	CONTACT ARRANGEMENT C3W3 TYPE	CONTACT PLATING OPTION GF: GOLD FLASH G15t: 15u" GOLD ON CONTACT, TIN PLATED ON SOLDER TAIL G30t: 30u" GOLD ON CONTACT, TIN PLATED ON SOLDER TAIL		MOUNTING TYPE H: WITH MOUNTING HOLE ONLY
<p>CONTACT TYPE C1: COAXIAL CONTACT, WIRE TYPE, 50 OHM C2: COAXIAL CONTACT, WIRE TYPE, 75 OHM P2: POWER CONTACT, WIRE TYPE, 20 AMP P4: POWER CONTACT, WIRE TYPE, 40AMP</p>									

ELECTRICAL CHARACTERISTIC

CONTACT CURRENT RATING: 3 AMP
 CONTACT RESISTANCE: 10M OHM MAX.
 INSULATION RESISTANCE: 5000 OHM MIN
 DIELECTRIC WITHSTANDING VOLTAGE: 1000VAC
 OPERATING TEMPERATURE:-55°C- +125°C

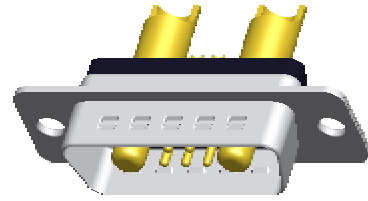
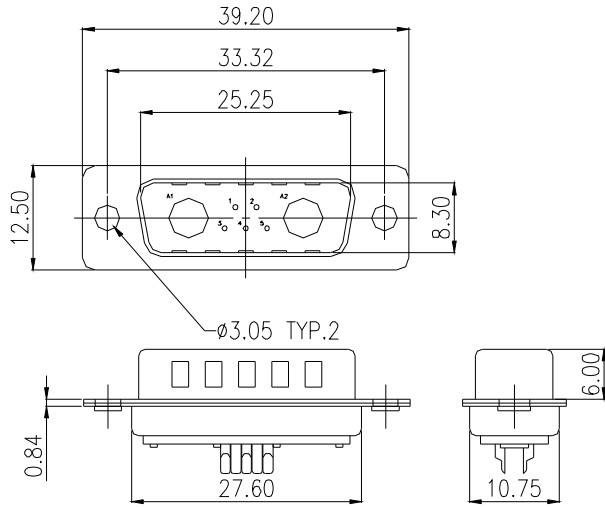
MATERIALS

INSULATOR: P.B.T. UL 94V-0 RATED
 SHELL: SPCC - SB
 CONTACT: BRASS
 CONTACT PLATING: Au

NOTE : SOME SIZES, STYLES AND OPTION ARE NON-STANDARD, NON-CANCELLABLE, NON-RETURNABLE

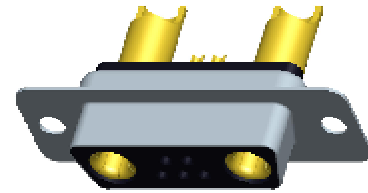
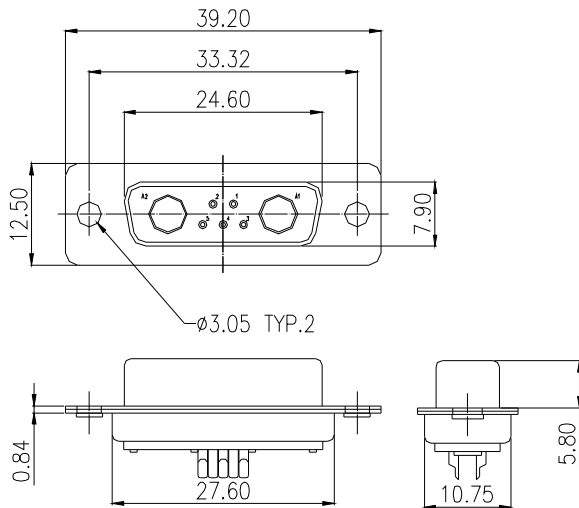
CDB 400 SERIES - C7W2 MOUNTING TYPE H WIRE TYPE - W

MALE



POWER CONTACT		COAXIAL CONTACT	
20A : CDB400P2-WMC7W2GX	40A : CDB400P4-WMC7W2GX	50Ω : CDB400C1-WMC7W2GX	75Ω : CDB400C2-WMC7W2GX
21.90	20A/40A	21.20	50Ω/75Ω
POWER CONTACT SOLDER CUP		COAXIAL CONTACT SOLDER CUP	

FEMALE



POWER CONTACT		COAXIAL CONTACT	
20A : CDB400P2-WFC7W2GX	40A : CDB400P4-WFC7W2GX	50Ω : CDB400C1-WFC7W2GX	75Ω : CDB400C2-WFC7W2GX
21.80	20A/40A	21.80	50Ω/75Ω
POWER CONTACT SOLDER CUP		COAXIAL CONTACT SOLDER CUP	

CDB	400	X	-	W	X	C7W2	GX	-	H
COMBO D-SUB	SERIES NO. 400: WIRE TYPE	TERMINAL TYPE W: WIRE TYPE		TERMINAL TYPE W: WIRE TYPE	GENDER M: MALE F: FEMALE	CONTACT ARRANGEMENT C7W2 TYPE	CONTACT PLATING OPTION		MOUNTING TYPE H: WITH MOUNTING HOLE ONLY
	CONTACT TYPE C1: COAXIAL CONTACT, WIRE TYPE, 50 OHM C2: COAXIAL CONTACT, WIRE TYPE, 75 OHM P2: POWER CONTACT, WIRE TYPE, 20 AMP P4: POWER CONTACT, WIRE TYPE, 40AMP					CONTACT PLATING OPTION Gf: GOLD FLASH G15t: 15u" GOLD ON CONTACT, TIN PLATED ON SOLDER TAIL G30t: 30u" GOLD ON CONTACT, TIN PLATED ON SOLDER TAIL			

ELECTRICAL CHARACTERISTIC

CONTACT CURRENT RATING: 3 AMP
 CONTACT RESISTANCE: 10M OHM MAX.
 INSULATION RESISTANCE: 5000 OHM MIN
 DIELECTRIC WITHSTANDING VOLTAGE: 1000VAC
 OPERATING TEMPERATURE: -55°C - +125°C

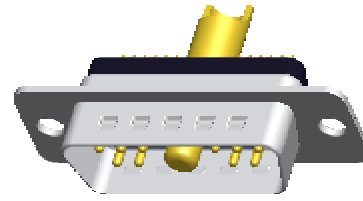
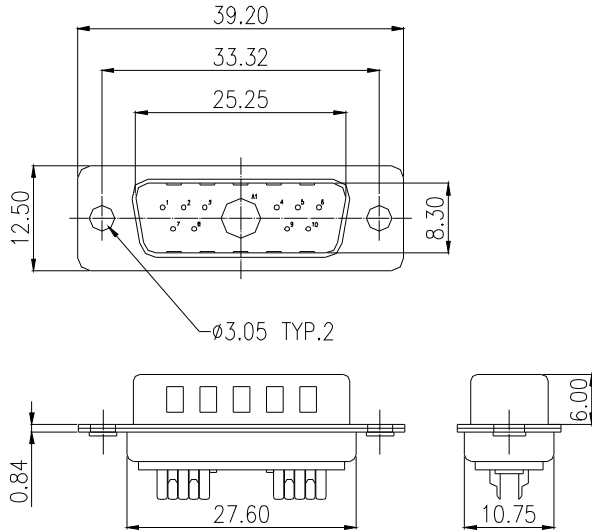
MATERIALS

INSULATOR: P.B.T. UL 94V-0 RATED
 SHELL: SPCC - SB
 CONTACT: BRASS
 CONTACT PLATING: Au

NOTE : SOME SIZES, STYLES AND OPTION ARE NON-STANDARD, NON-CANCELLABLE, NON-RETURNABLE

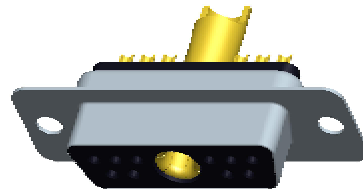
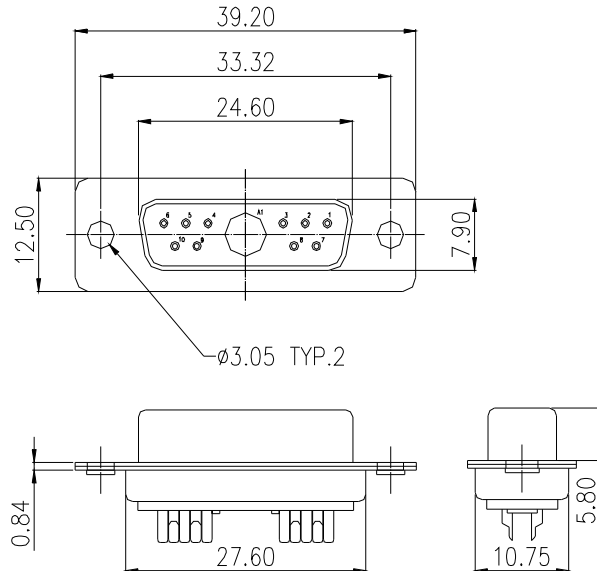
CDB 400 SERIES - 11W1 MOUNTING TYPE H WIRE TYPE - W

MALE



POWER CONTACT	COAXIAL CONTACT
20A : CDB400P2-WM11W1GX	50Ω : CDB400C1-WM11W1GX
40A : CDB400P4-WM11W1GX	75Ω : CDB400C2-WM11W1GX
POWER CONTACT SOLDER CUP	COAXIAL CONTACT SOLDER CUP

FEMALE



POWER CONTACT	COAXIAL CONTACT
20A : CDB400P2-WF11W1GX	50Ω : CDB400C1-WF11W1GX
40A : CDB400P4-WF11W1GX	75Ω : CDB400C2-WF11W1GX
POWER CONTACT SOLDER CUP	COAXIAL CONTACT SOLDER CUP

CDB	400	X	-	W	X	11W1	GX	-	H
COMBO D-SUB	SERIES NO. 400: WIRE TYPE	TERMINAL TYPE W: WIRE TYPE		TERMINAL TYPE W: WIRE TYPE	GENDER M: MALE F: FEMALE	CONTACT ARRANGEMENT 11W1 TYPE	CONTACT PLATING OPTION Gf: GOLD FLASH G15t: 15u" GOLD ON CONTACT, TIN PLATED ON SOLDER TAIL G30t: 30u" GOLD ON CONTACT, TIN PLATED ON SOLDER TAIL		MOUNTING TYPE H: WITH MOUNTING HOLE ONLY
	CONTACT TYPE C1: COAXIAL CONTACT, WIRE TYPE, 50 OHM C2: COAXIAL CONTACT, WIRE TYPE, 75 OHM P2: POWER CONTACT, WIRE TYPE, 20 AMP P4: POWER CONTACT, WIRE TYPE, 40AMP								

ELECTRICAL CHARACTERISTIC

CONTACT CURRENT RATING: 3 AMP
 CONTACT RESISTANCE: 10M OHM MAX.
 INSULATION RESISTANCE: 5000 OHM MIN
 DIELECTRIC WITHSTANDING VOLTAGE: 1000VAC
 OPERATING TEMPERATURE: -55°C - +125°C

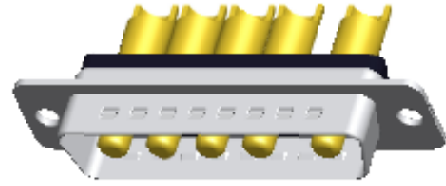
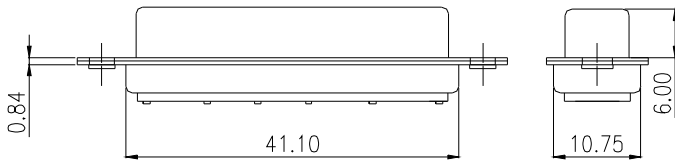
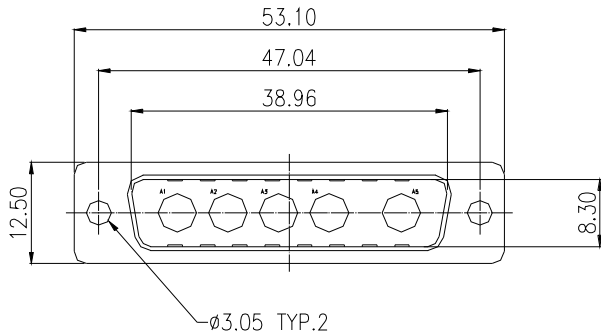
MATERIALS

INSULATOR: P.B.T. UL 94V-0 RATED
 SHELL: SPCC - SB
 CONTACT: BRASS
 CONTACT PLATING: Au

NOTE : SOME SIZES, STYLES AND OPTION ARE NON-STANDARD, NON-CANCELLABLE, NON-RETURNABLE

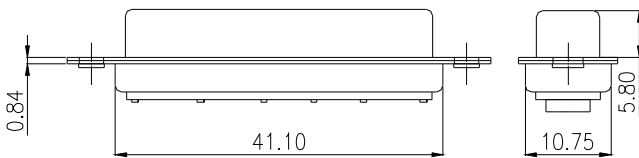
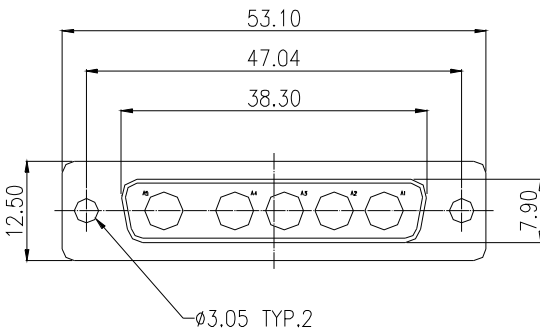
CDB 400 SERIES - C5W5 MOUNTING TYPE H WIRE TYPE - W

MALE



POWER CONTACT		COAXIAL CONTACT	
20A : CDB400P2-WMC5W5GX	20A/40A	50Ω : CDB400C1-WMC5W5GX	500/750
40A : CDB400P4-WMC5W5GX		75Ω : CDB400C2-WMC5W5GX	
POWER CONTACT SOLDER CUP		COAXIAL CONTACT SOLDER CUP	

FEMALE



POWER CONTACT		COAXIAL CONTACT	
20A : CDB400P2-WFC5W5GX	20A/40A	50Ω : CDB400C1-WFC5W5GX	500/750
40A : CDB400P4-WFC5W5GX		75Ω : CDB400C2-WFC5W5GX	
POWER CONTACT SOLDER CUP		COAXIAL CONTACT SOLDER CUP	

CDB	400	X	-	W	X	C5W5	GX	-	H
COMBO D-SUB	SERIES NO. 400: WIRE TYPE	TERMINAL TYPE W: WIRE TYPE		TERMINAL TYPE W: WIRE TYPE	GENDER M: MALE F: FEMALE	CONTACT ARRANGEMENT C5W5 TYPE	CONTACT PLATING OPTION Gf: GOLD FLASH G15t: 15u" GOLD ON CONTACT, TIN PLATED ON SOLDER TAIL G30t: 30u" GOLD ON CONTACT, TIN PLATED ON SOLDER TAIL		MOUNTING TYPE H: WITH MOUNTING HOLE ONLY
<p>CONTACT TYPE C1: COAXIAL CONTACT, WIRE TYPE, 50 OHM C2: COAXIAL CONTACT, WIRE TYPE, 75 OHM P2: POWER CONTACT, WIRE TYPE, 20 AMP P4: POWER CONTACT, WIRE TYPE, 40AMP</p>									

ELECTRICAL CHARACTERISTIC

CONTACT CURRENT RATING: 3 AMP
 CONTACT RESISTANCE: 10M OHM MAX.
 INSULATION RESISTANCE: 5000 OHM MIN
 DIELECTRIC WITHSTANDING VOLTAGE: 1000VAC
 OPERATING TEMPERATURE: -55°C - +125°C

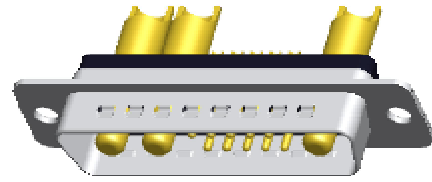
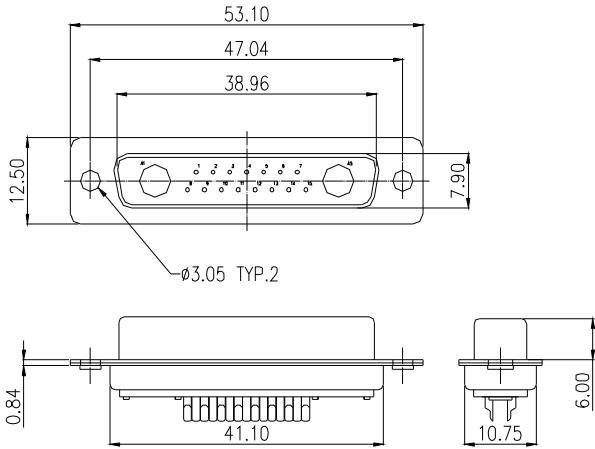
MATERIALS

INSULATOR: P.B.T. UL 94V-0 RATED
 SHELL: SPCC - SB
 CONTACT: BRASS
 CONTACT PLATING: Au

NOTE : SOME SIZES, STYLES AND OPTION ARE NON-STANDARD, NON-CANCELLABLE, NON-RETURNABLE

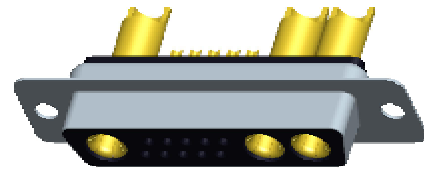
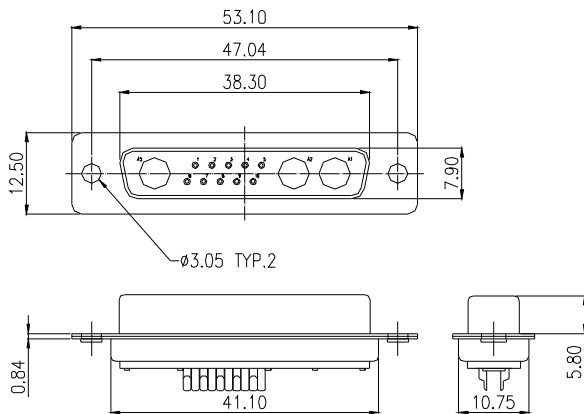
CDB 400 SERIES - 13W3 MOUNTING TYPE H WIRE TYPE - W

MALE



POWER CONTACT		COAXIAL CONTACT	
20A : CDB400P2-WM13W3GX	50Ω : CDB400C1-WM13W3GX		
40A : CDB400P4-WM13W3GX	75Ω : CDB400C2-WM13W3GX		
	20A/40A		50Ω/75Ω
POWER CONTACT SOLDER CUP		COAXIAL CONTACT SOLDER CUP	

FEMALE



POWER CONTACT		COAXIAL CONTACT	
20A : CDB400P2-WF13W3GX	50Ω : CDB400C1-WF13W3GX		
40A : CDB400P4-WF13W3GX	75Ω : CDB400C2-WF13W3GX		
	20A/40A		50Ω/75Ω
POWER CONTACT SOLDER CUP		COAXIAL CONTACT SOLDER CUP	

CDB	400	X	-	W	X	13W3	GX	-	H
COMBO D-SUB	SERIES NO. 400: WIRE TYPE	TERMINAL TYPE W: WIRE TYPE		TERMINAL TYPE W: WIRE TYPE	GENDER M: MALE F: FEMALE	CONTACT ARRANGEMENT 13W3 TYPE	CONTACT PLATING OPTION GF: GOLD FLASH G15t: 15u" GOLD ON CONTACT, TIN PLATED ON SOLDER TAIL G30t: 30u" GOLD ON CONTACT, TIN PLATED ON SOLDER TAIL		MOUNTING TYPE H: WITH MOUNTING HOLE ONLY
	CONTACT TYPE C1: COAXIAL CONTACT, WIRE TYPE, 50 OHM C2: COAXIAL CONTACT, WIRE TYPE, 75 OHM P2: POWER CONTACT, WIRE TYPE, 20 AMP P4: POWER CONTACT, WIRE TYPE, 40AMP								

ELECTRICAL CHARACTERISTIC

CONTACT CURRENT RATING: 3 AMP
 CONTACT RESISTANCE: 10M OHM MAX.
 INSULATION RESISTANCE: 5000 OHM MIN
 DIELECTRIC WITHSTANDING VOLTAGE: 1000VAC
 OPERATING TEMPERATURE: -55°C - +125°C

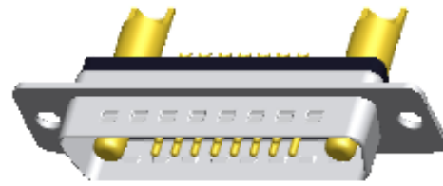
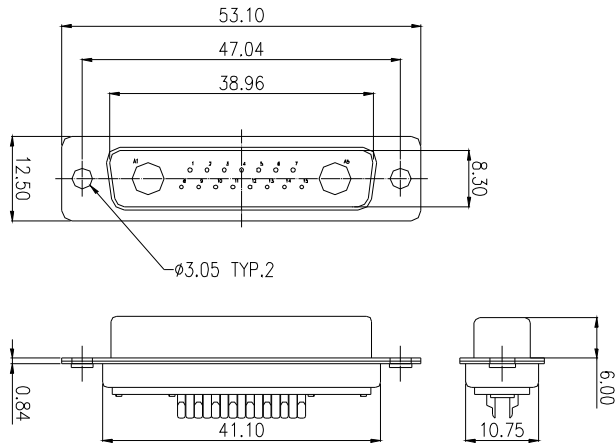
MATERIALS

INSULATOR: P.B.T. UL 94V-0 RATED
 SHELL: SPCC - SB
 CONTACT: BRASS
 CONTACT PLATING: Au

NOTE : SOME SIZES, STYLES AND OPTION ARE NON-STANDARD, NON-CANCELLABLE, NON-RETURNABLE

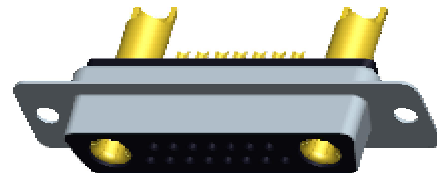
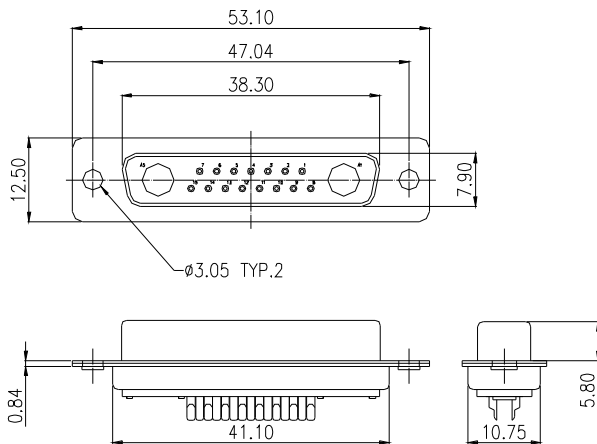
CDB 400 SERIES - 17W2 MOUNTING TYPE H WIRE TYPE - W

MALE



POWER CONTACT		COAXIAL CONTACT	
20A : CDB400P2-WM17W2GX	20A/40A	50Ω : CDB400C1-WM17W2GX	50Ω/75Ω
40A : CDB400P4-WM17W2GX		75Ω : CDB400C2-WM17W2GX	
POWER CONTACT SOLDER CUP		COAXIAL CONTACT SOLDER CUP	

FEMALE



POWER CONTACT		COAXIAL CONTACT	
20A : CDB400P2-WF17W2GX	20A/40A	50Ω : CDB400C1-WF17W2GX	50Ω/75Ω
40A : CDB400P4-WF17W2GX		75Ω : CDB400C2-WF17W2GX	
POWER CONTACT SOLDER CUP		COAXIAL CONTACT SOLDER CUP	

CDB	400	X	-	W	X	17W2	GX	-	H
COMBO D-SUB	SERIES NO. 400: WIRE TYPE	TERMINAL TYPE W: WIRE TYPE		TERMINAL TYPE W: WIRE TYPE	GENDER M: MALE F: FEMALE	CONTACT ARRANGEMENT 17W2 TYPE	CONTACT ARRANGEMENT GX		MOUNTING TYPE H: WITH MOUNTING HOLE ONLY
CONTACT TYPE C1: COAXIAL CONTACT, WIRE TYPE, 50 OHM C2: COAXIAL CONTACT, WIRE TYPE, 75 OHM P2: POWER CONTACT, WIRE TYPE, 20 AMP P4: POWER CONTACT, WIRE TYPE, 40AMP					CONTACT PLATING OPTION Gf: GOLD FLASH G15t: 15u" GOLD ON CONTACT, TIN PLATED ON SOLDER TAIL G30t: 30u" GOLD ON CONTACT, TIN PLATED ON SOLDER TAIL				

ELECTRICAL CHARACTERISTIC

CONTACT CURRENT RATING: 3 AMP
CONTACT RESISTANCE: 10M OHM MAX.
INSULATION RESISTANCE: 5000 OHM MIN
DIELECTRIC WITHSTANDING VOLTAGE: 1000VAC
OPERATING TEMPERATURE: -55°C - +125°C

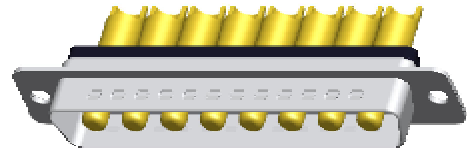
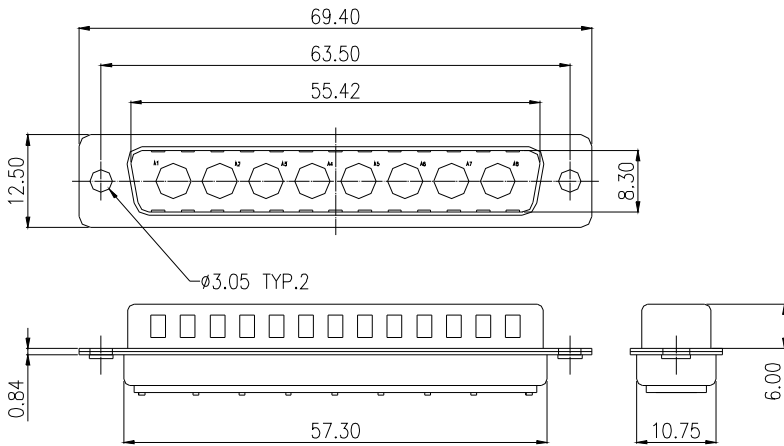
MATERIALS

INSULATOR: P.B.T. UL 94V-0 RATED
SHELL: SPCC - SB
CONTACT: BRASS
CONTACT PLATING: Au

NOTE : SOME SIZES, STYLES AND OPTION ARE NON-STANDARD, NON-CANCELLABLE, NON-RETURNABLE

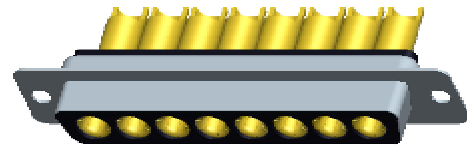
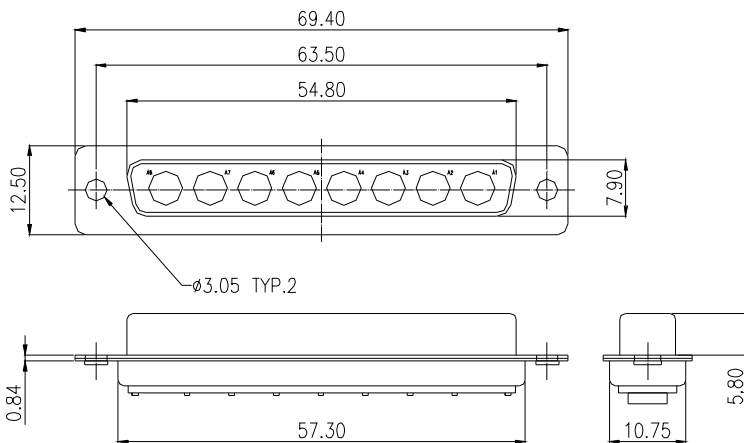
CDB 400 SERIES - C8W8 MOUNTING TYPE H WIRE TYPE - W

MALE



POWER CONTACT		COAXIAL CONTACT	
20A : CDB400P2-WMC8WBGX	50Ω : CDB400C1-WMC8WBGX		
40A : CDB400P4-WMC8WBGX	75Ω : CDB400C2-WMC8WBGX		
POWER CONTACT SOLDER CUP		COAXIAL CONTACT SOLDER CUP	

FEMALE



POWER CONTACT		COAXIAL CONTACT	
20A : CDB400P2-WFC8WBGX	50Ω : CDB400C1-WFC8WBGX		
40A : CDB400P4-WFC8WBGX	75Ω : CDB400C2-WFC8WBGX		
POWER CONTACT SOLDER CUP		COAXIAL CONTACT SOLDER CUP	

CDB	400	X	-	W	X	C8W8	GX	-	H
COMBO D-SUB	SERIES NO. 400: WIRE TYPE	TERMINAL TYPE W: WIRE TYPE			GENDER M: MALE F: FEMALE	CONTACT ARRANGEMENT C8W8 TYPE			MOUNTING TYPE H: WITH MOUNTING HOLE ONLY
CONTACT TYPE C1: COAXIAL CONTACT, WIRE TYPE, 50 OHM C2: COAXIAL CONTACT, WIRE TYPE, 75 OHM P2: POWER CONTACT, WIRE TYPE, 20 AMP P4: POWER CONTACT, WIRE TYPE, 40AMP					CONTACT PLATING OPTION Gf: GOLD FLASH G15t: 15u" GOLD ON CONTACT, TIN PLATED ON SOLDER TAIL G30t: 30u" GOLD ON CONTACT, TIN PLATED ON SOLDER TAIL				

ELECTRICAL CHARACTERISTIC

CONTACT CURRENT RATING: 3 AMP
 CONTACT RESISTANCE: 10M OHM MAX.
 INSULATION RESISTANCE: 5000 OHM MIN
 DIELECTRIC WITHSTANDING VOLTAGE: 1000VAC
 OPERATING TEMPERATURE:-55°C- +125°C

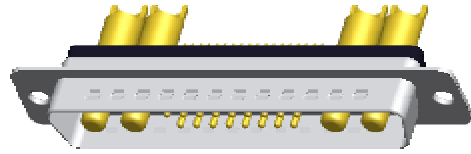
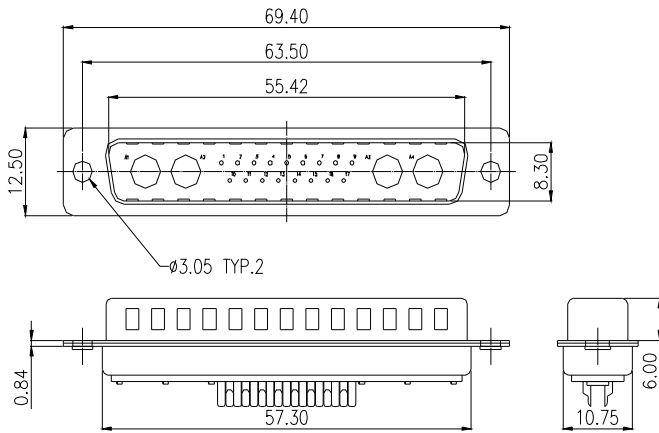
MATERIALS

INSULATOR: P.B.T. UL 94V-0 RATED
 SHELL: SPCC - SB
 CONTACT: BRASS
 CONTACT PLATING: Au

NOTE : SOME SIZES, STYLES AND OPTION ARE NON-STANDARD, NON-CANCELLABLE, NON-RETURNABLE

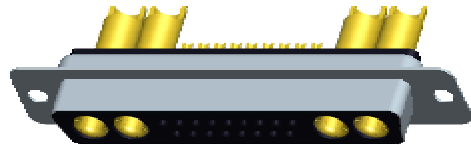
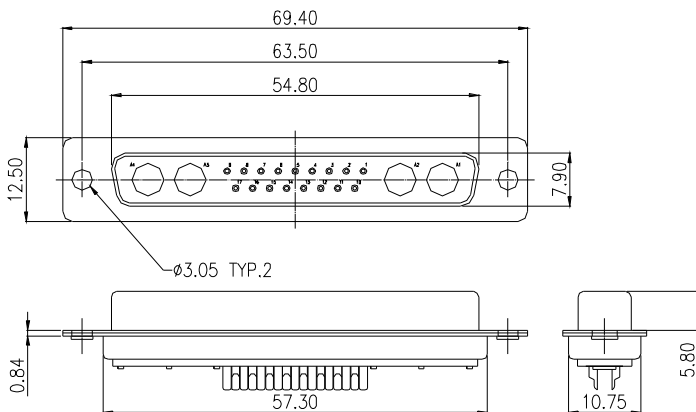
CDB 400 SERIES - 21W4 MOUNTING TYPE H WIRE TYPE - W

MALE



POWER CONTACT		COAXIAL CONTACT	
20A : CDB400P2-WM21W4GX	50 Ω : CDB400C1-WM21W4GX		
40A : CDB400P4-WM21W4GX	75 Ω : CDB400C2-WM21W4GX		
	20A/40A		50 Ω /75 Ω
POWER CONTACT SOLDER CUP		COAXIAL CONTACT SOLDER CUP	

FEMALE



POWER CONTACT		COAXIAL CONTACT	
20A : CDB400P2-WF21W4GX	50 Ω : CDB400C1-WF21W4GX		
40A : CDB400P4-WF21W4GX	75 Ω : CDB400C2-WF21W4GX		
	20A/40A		50 Ω /75 Ω
POWER CONTACT SOLDER CUP		COAXIAL CONTACT SOLDER CUP	

CDB	400	X	-	W	X	21W4	GX	-	H
COMBO D-SUB	SERIES NO. 400: WIRE TYPE	TERMINAL TYPE W: WIRE TYPE			GENDER M: MALE F: FEMALE	CONTACT ARRANGEMENT 21W4 TYPE			MOUNTING TYPE H: WITH MOUNTING HOLE ONLY
CONTACT TYPE C1: COAXIAL CONTACT, WIRE TYPE, 50 OHM C2: COAXIAL CONTACT, WIRE TYPE, 75 OHM P2: POWER CONTACT, WIRE TYPE, 20 AMP P4: POWER CONTACT, WIRE TYPE, 40AMP					CONTACT PLATING OPTION GF: GOLD FLASH G15t: 15 μ " GOLD ON CONTACT, TIN PLATED ON SOLDER TAIL G30t: 30 μ " GOLD ON CONTACT, TIN PLATED ON SOLDER TAIL				

ELECTRICAL CHARACTERISTIC

CONTACT CURRENT RATING: 3 AMP
 CONTACT RESISTANCE: 10M OHM MAX.
 INSULATION RESISTANCE: 5000 OHM MIN
 DIELECTRIC WITHSTANDING VOLTAGE: 1000VAC
 OPERATING TEMPERATURE:-55°C- +125°C

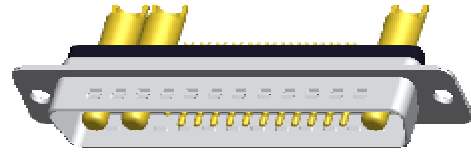
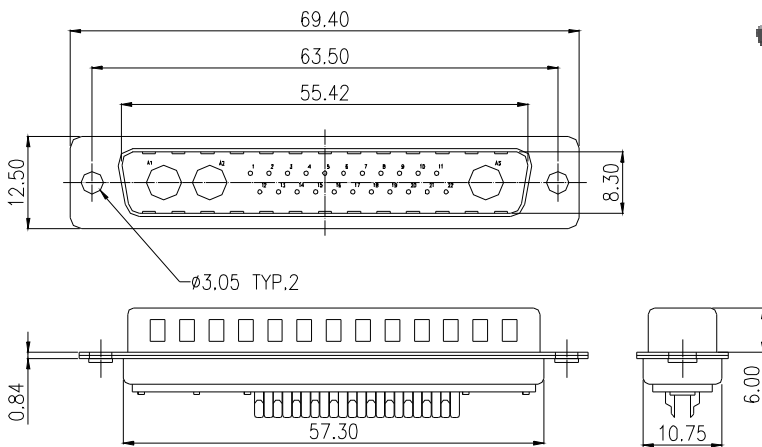
MATERIALS

INSULATOR: P.B.T. UL 94V-0 RATED
 SHELL: SPCC - SB
 CONTACT: BRASS
 CONTACT PLATING: Au

NOTE : SOME SIZES, STYLES AND OPTION ARE NON-STANDARD, NON-CANCELLABLE, NON-RETURNABLE

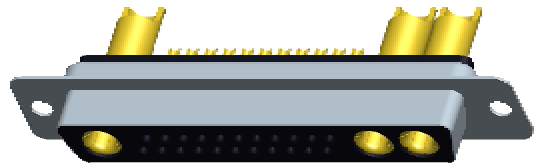
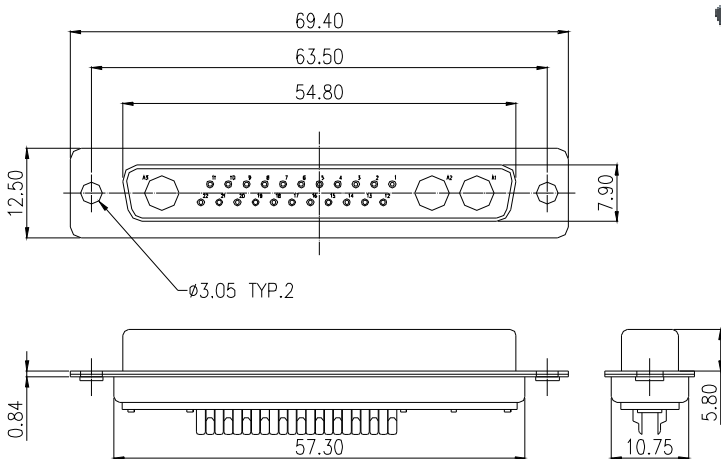
CDB 400 SERIES - 25W3 MOUNTING TYPE H WIRE TYPE - W

MALE



POWER CONTACT		COAXIAL CONTACT	
20A : CDB400P2-WM25W3GX	40A : CDB400P4-WM25W3GX	50Ω : CDB400C1-WM25W3GX	75Ω : CDB400C2-WM25W3GX
21.90 20A/40A		21.20 50Ω/75Ω	
POWER CONTACT SOLDER CUP		COAXIAL CONTACT SOLDER CUP	

FEMALE



POWER CONTACT		COAXIAL CONTACT	
20A : CDB400P2-WF25W3GX	40A : CDB400P4-WF25W3GX	50Ω : CDB400C1-WF25W3GX	75Ω : CDB400C2-WF25W3GX
21.80 20A/40A		21.80 50Ω/75Ω	
POWER CONTACT SOLDER CUP		COAXIAL CONTACT SOLDER CUP	

CDB	400	X	-	W	X	25W3	GX	-	H
COMBO D-SUB	SERIES NO. 400: WIRE TYPE	TERMINAL TYPE W: WIRE TYPE			GENDER M: MALE F: FEMALE	CONTACT ARRANGEMENT 25W3 TYPE			MOUNTING TYPE H: WITH MOUNTING HOLE ONLY
CONTACT TYPE C1: COAXIAL CONTACT, WIRE TYPE, 50 OHM C2: COAXIAL CONTACT, WIRE TYPE, 75 OHM P2: POWER CONTACT, WIRE TYPE, 20 AMP P4: POWER CONTACT, WIRE TYPE, 40AMP					CONTACT PLATING OPTION Gf: GOLD FLASH G15t: 15u" GOLD ON CONTACT, TIN PLATED ON SOLDER TAIL G30t: 30u" GOLD ON CONTACT, TIN PLATED ON SOLDER TAIL				

ELECTRICAL CHARACTERISTIC

CONTACT CURRENT RATING: 3 AMP
 CONTACT RESISTANCE: 10M OHM MAX.
 INSULATION RESISTANCE: 5000 OHM MIN
 DIELECTRIC WITHSTANDING VOLTAGE: 1000VAC
 OPERATING TEMPERATURE: -55°C- +125°C

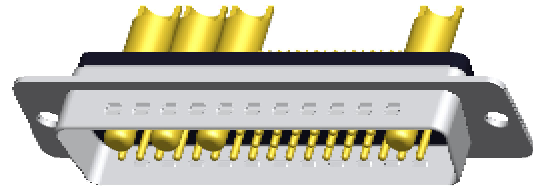
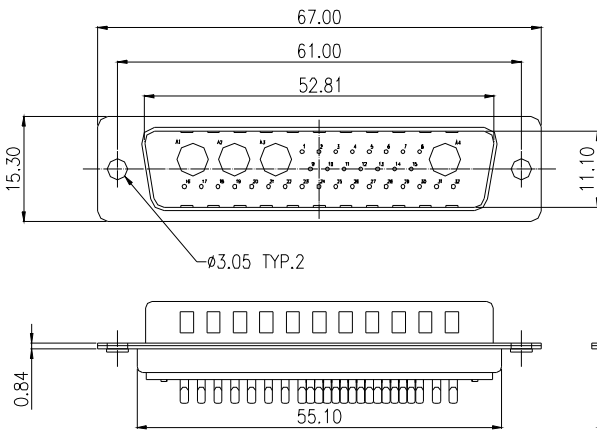
MATERIALS

INSULATOR: P.B.T. UL 94V-0 RATED
 SHELL: SPCC - SB
 CONTACT: BRASS
 CONTACT PLATING: Au

NOTE : SOME SIZES, STYLES AND OPTION ARE NON-STANDARD, NON-CANCELLABLE, NON-RETURNABLE

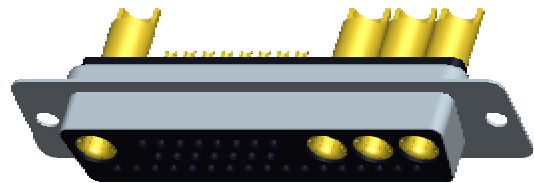
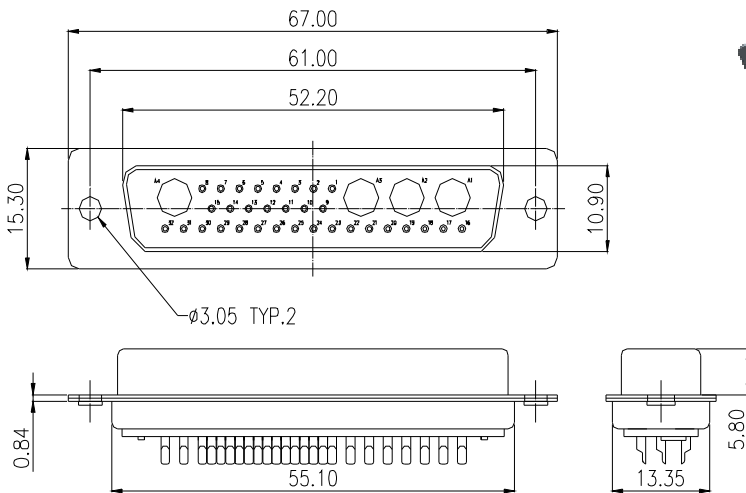
CDB 400 SERIES - 36W4 MOUNTING TYPE H WIRE TYPE - W

MALE



POWER CONTACT		COAXIAL CONTACT	
20A : CDB400P2-WM36W4GX	50Ω : CDB400C1-WM36W4GX		
40A : CDB400P4-WM36W4GX	75Ω : CDB400C2-WM36W4GX		
21.90	21.20	20A/40A	50Ω/75Ω
		10.30	10.00
POWER CONTACT SOLDER CUP	COAXIAL CONTACT SOLDER CUP		

FEMALE



POWER CONTACT		COAXIAL CONTACT	
20A : CDB400P2-WF36W4GX	50Ω : CDB400C1-WF36W4GX		
40A : CDB400P4-WF36W4GX	75Ω : CDB400C2-WF36W4GX		
21.80	21.80	20A/40A	50Ω/75Ω
		10.00	9.90
POWER CONTACT SOLDER CUP	COAXIAL CONTACT SOLDER CUP		

CDB	400	X	-	W	X	36W4	GX	-	H
COMBO D-SUB	SERIES NO. 400: WIRE TYPE	TERMINAL TYPE W: WIRE TYPE			GENDER M: MALE F: FEMALE	CONTACT ARRANGEMENT 36W4 TYPE			MOUNTING TYPE H: WITH MOUNTING HOLE ONLY
CONTACT TYPE C1: COAXIAL CONTACT, WIRE TYPE, 50 OHM C2: COAXIAL CONTACT, WIRE TYPE, 75 OHM P2: POWER CONTACT, WIRE TYPE, 20 AMP P4: POWER CONTACT, WIRE TYPE, 40AMP					CONTACT PLATING OPTION Gf: GOLD FLASH G15t: 15u" GOLD ON CONTACT, TIN PLATED ON SOLDER TAIL G30t: 30u" GOLD ON CONTACT, TIN PLATED ON SOLDER TAIL				

ELECTRICAL CHARACTERISTIC

CONTACT CURRENT RATING: 3 AMP
CONTACT RESISTANCE: 10M OHM MAX.
INSULATION RESISTANCE: 5000 OHM MIN
DIELECTRIC WITHSTANDING VOLTAGE: 1000VAC
OPERATING TEMPERATURE:-55°C- +125°C

MATERIALS

INSULATOR: P.B.T. UL 94V-0 RATED
SHELL: SPCC - SB
CONTACT: BRASS
CONTACT PLATING: Au

NOTE : SOME SIZES, STYLES AND OPTION ARE NON-STANDARD, NON-CANCELLABLE, NON-RETURNABLE