

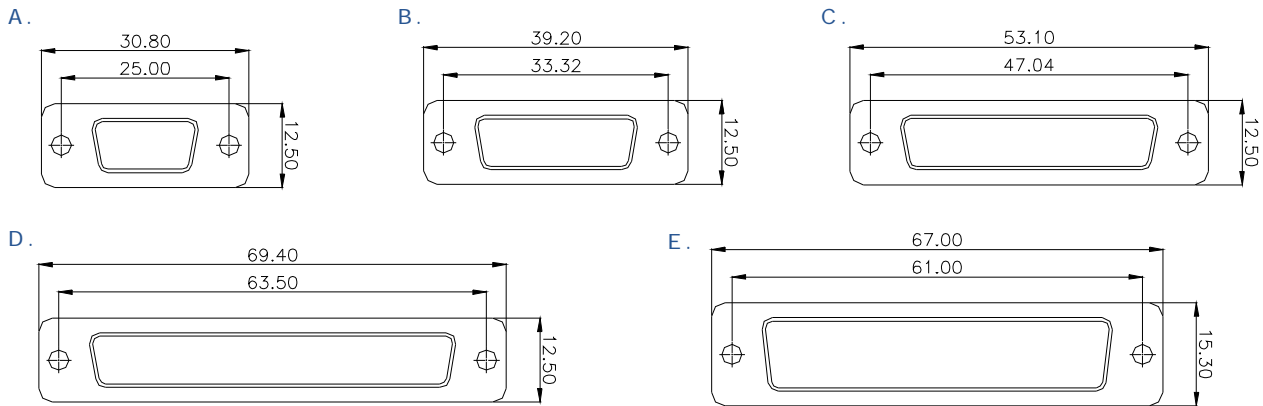
**MMI**

---

**COMBO D-SUB  
(STRAIGHT TYPE)**

---

## COMBINATION D- SUB SERIES - SHELL SIZE



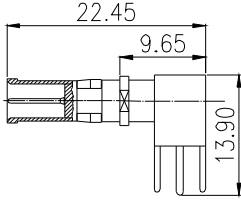
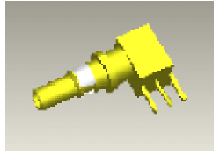
## COMBINATION D- SUB SERIES - CONTACT ARRANGEMENTS

TYPE							
CONTACT ARRANGEMENT	2W2	5W1	3W3	7W2	11W1	5W5	9W4
SHELL SIZE	A	A	B	B	B	C	C
NO. of SIGNAL CONTACTS	0	4	0	5	10	0	5
NO. of COAXIAL CONTACTS	2	1	3	2	1	5	4
TYPE							
CONTACT ARRANGEMENT	13W3	17W2	21W1	8W8			
SHELL SIZE	C	C	C	D			
NO. of SIGNAL CONTACTS	10	15	20	0			
NO. of COAXIAL CONTACTS	3	2	1	8			
TYPE							
CONTACT ARRANGEMENT	13W6	17W5	21W4				
SHELL SIZE	D	D	D				
NO. of SIGNAL CONTACTS	7	12	17				
NO. of COAXIAL CONTACTS	6	5	4				
TYPE							
CONTACT ARRANGEMENT	25W3	27W2	24W7				
SHELL SIZE	D	D	E				
NO. of SIGNAL CONTACTS	22	25	17				
NO. of COAXIAL CONTACTS	3	2	7				
TYPE							
CONTACT ARRANGEMENT	36W4	43W2	47W1				
SHELL SIZE	E	E	E				
NO. of SIGNAL CONTACTS	36	41	46				
NO. of COAXIAL CONTACTS	4	2	1				

NOTE : SOME SIZES, STYLES AND OPTION ARE NON-STANDARD, NON-CANCELLABLE, NON-RETURNABLE

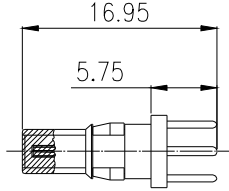
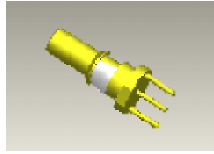
## COAXIAL CONTACT FOR COMBINATION D- SUB

RIGHT ANGLE



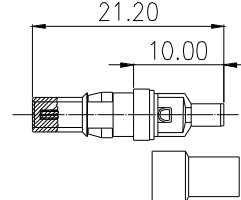
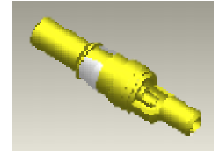
PLUG CONTACT:  
IMPEDANCE: 50 OHM / 75 OHMS

STRAIGHT DIP

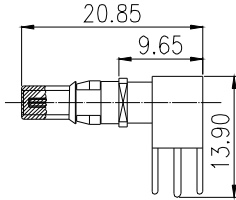
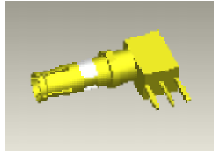


PLUG CONTACT:  
IMPEDANCE: 50 OHM / 75 OHMS

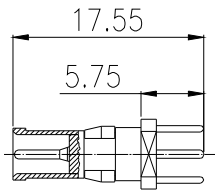
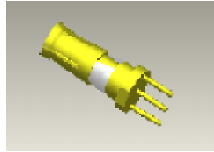
SOLDER CUP



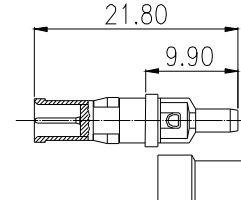
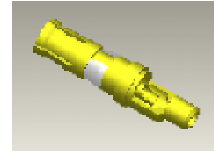
PLUG CONTACT:  
IMPEDANCE: 50 OHM / 75 OHMS



RECEPTACLE CONTACT:  
IMPEDANCE: 50 OHM / 75 OHMS



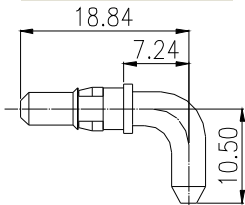
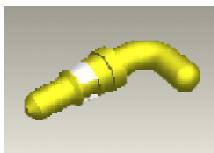
RECEPTACLE CONTACT:  
IMPEDANCE: 50 OHM / 75 OHMS



RECEPTACLE CONTACT:  
IMPEDANCE: 50 OHM / 75 OHMS

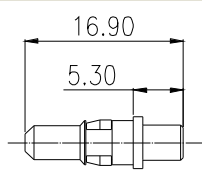
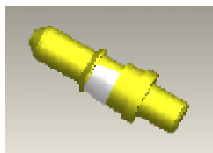
## HIGH POWER CONTACT FOR COMBINATION D- SUB

RIGHT ANGLE



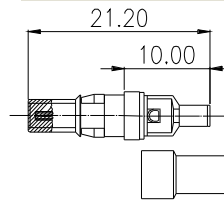
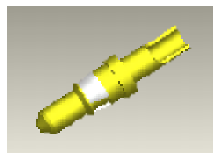
PLUG CONTACT:  
CURRENT RATING: 20A / 40 A

STRAIGHT DIP



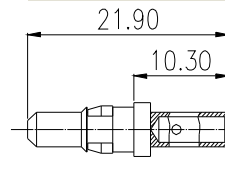
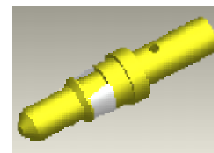
PLUG CONTACT:  
CURRENT RATING: 20A / 40 A

SOLDER CUP

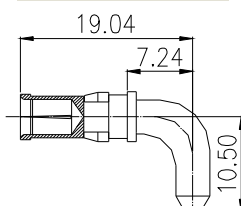
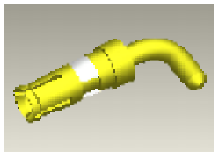


PLUG CONTACT:  
CURRENT RATING: 20A / 40 A

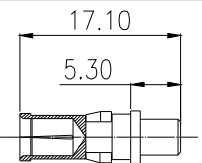
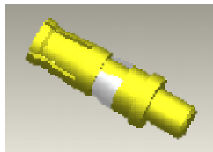
CRIMP TYPE



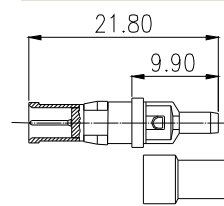
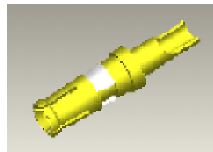
PLUG CONTACT:  
CURRENT RATING: 20A / 40 A



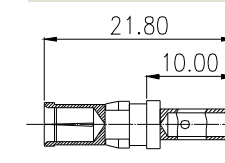
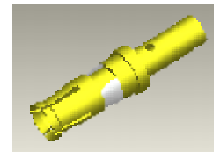
RECEPTACLE CONTACT:  
CURRENT RATING: 20A / 40A



RECEPTACLE CONTACT:  
CURRENT RATING: 20A / 40A



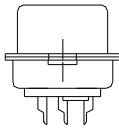
RECEPTACLE CONTACT:  
CURRENT RATING: 20A / 40A



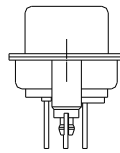
RECEPTACLE CONTACT:  
CURRENT RATING: 20A / 40A

NOTE : SOME SIZES, STYLES AND OPTION ARE NON-STANDARD, NON-CANCELLABLE, NON-RETURNABLE

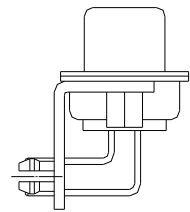
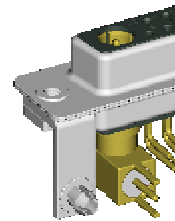
## COMBO D-SUB MOUNTING OPTIONS



**H TYPE**  
WITH MOUNTING HOLE ONLY

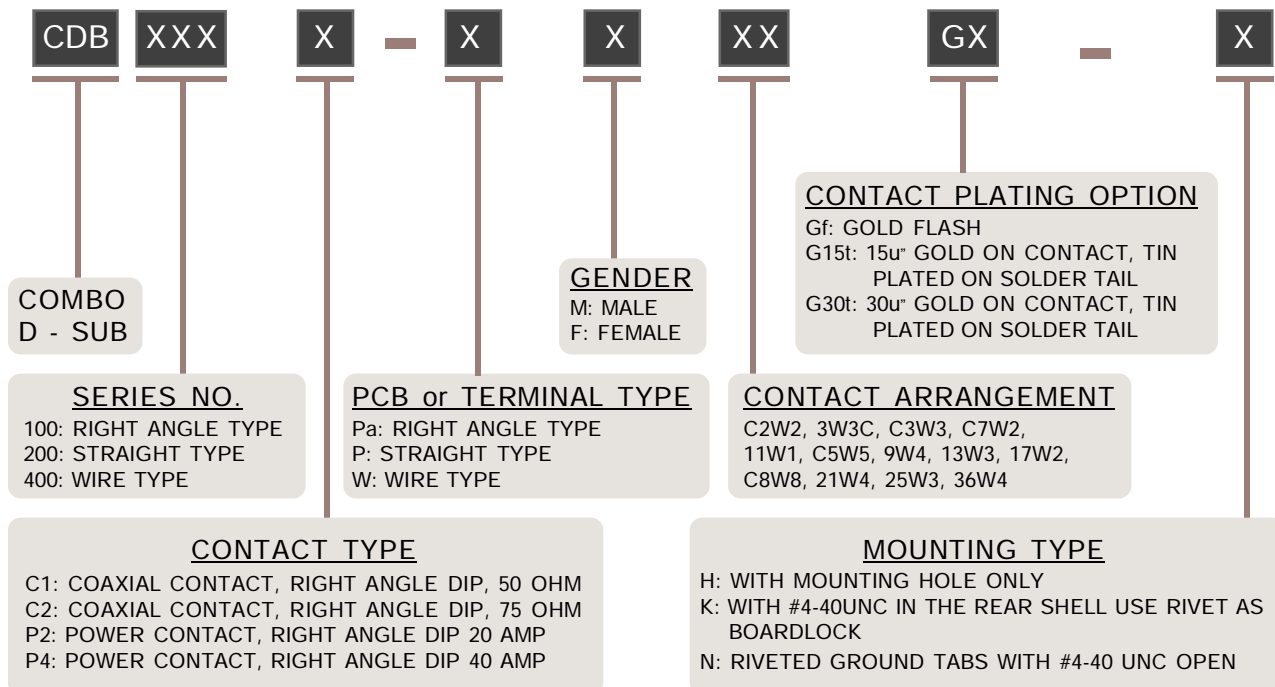


**K TYPE**  
WITH #4-40UNC IN THE REAR SHELL  
USE RIVET AS BOARDLOCK



**N TYPE**  
WITH #4-40UNC IN THE REAR SHELL  
USE RIVET AS BOARDLOCK

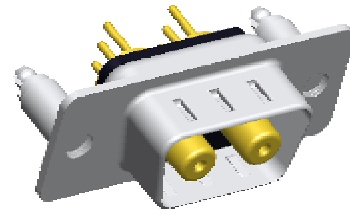
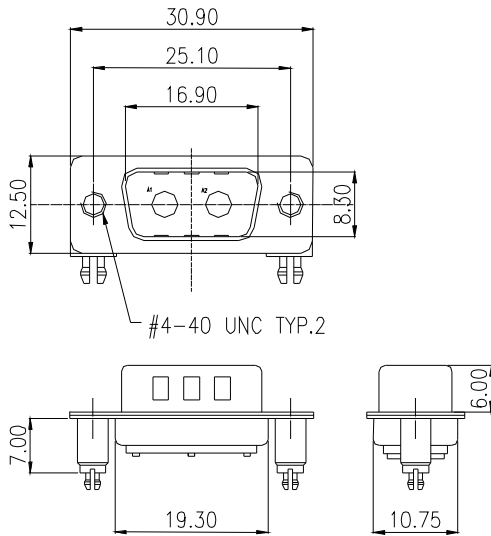
## COMBO D-SUB PART NO. INFORMATION



NOTE : SOME SIZES, STYLES AND OPTION ARE NON-STANDARD, NON-CANCELLABLE, NON-RETURNABLE

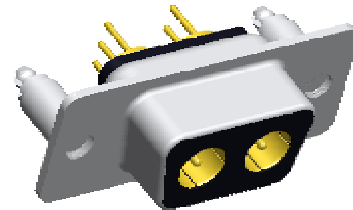
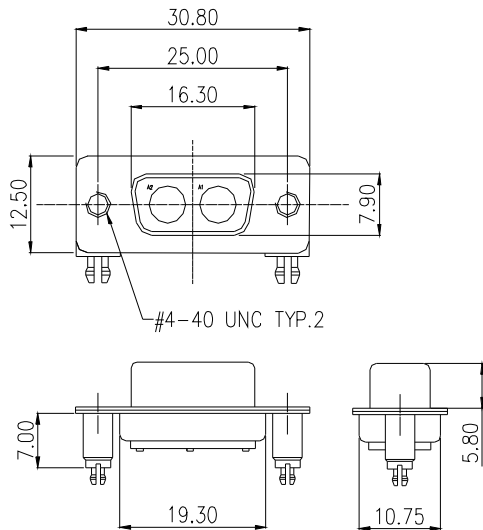
# CDB 200 SERIES - C2W2 MOUNTING TYPE K STRAIGHT TYPE - P

## MALE



POWER CONTACT		COAXIAL CONTACT
CDB200P2-PMC2W2GX	CDB200P4-PMC2W2GX	50Ω : CDB200C1-PMC2W2GX 75Ω : CDB200C2-PMC2W2GX
20 AMP	40 AMP	50Ω/75Ω
16.90 5.30	16.90 5.30	16.95 5.75
POWER CONTACT STRAIGHT DIP 2.85	POWER CONTACT STRAIGHT DIP 3.75	COAXIAL CONTACT STRAIGHT DIP

## FEMALE



POWER CONTACT		COAXIAL CONTACT
CDB200P2-PFC2W2GX	CDB200P4-PFC2W2GX	50Ω : CDB200C1-PFC2W2GX 75Ω : CDB200C2-PFC2W2GX
20 AMP	40 AMP	50Ω/75Ω
17.10 5.30	17.10 5.30	17.55 5.75
POWER CONTACT STRAIGHT DIP 2.85	POWER CONTACT STRAIGHT DIP 3.75	COAXIAL CONTACT STRAIGHT DIP

<b>CDB</b>	<b>200</b>	<b>X</b>	<b>P</b>	<b>X</b>	<b>C2W2</b>	<b>GX</b>	<b>K</b>
COMBO D-SUB	SERIES NO. 200: STRAIGHT TYPE		PCB TYPE P: STRAIGHT TYPE	GENDER M: MALE F: FEMALE	CONTACT ARRANGEMENT C2W2 TYPE		MOUNTING TYPE K: RIVTED #4-40UNC CLOSE GROUND STAND-OFF ON PEAR SHELL, DIM.L= 7.00mm (STANDARD)
	CONTACT TYPE C1: COAXIAL CONTACT, WIRE TYPE, 50 OHM C2: COAXIAL CONTACT, WIRE TYPE, 75 OHM P2: POWER CONTACT, WIRE TYPE, 20 AMP P4: POWER CONTACT, WIRE TYPE, 40AMP				CONTACT PLATING OPTION Gf: GOLD FLASH G15t: 15u" GOLD ON CONTACT, TIN PLATED ON SOLDER TAIL G30t: 30u" GOLD ON CONTACT, TIN PLATED ON SOLDER TAIL		

### ELECTRICAL CHARACTERISTIC

CONTACT CURRENT RATING: 3 AMP  
CONTACT RESISTANCE: 10M OHM MAX.  
INSULATION RESISTANCE: 5000 OHM MIN  
DIELECTRIC WITHSTANDING VOLTAGE: 1000VAC  
OPERATING TEMPERATURE:-55°C- +125°C

### MATERIALS

INSULATOR: P.B.T. UL 94V-0 RATED  
SHELL: SPCC - SB  
CONTACT: BRASS  
CONTACT PLATING: Au

NOTE : SOME SIZES, STYLES AND OPTION ARE NON-STANDARD, NON-CANCELLABLE, NON-RETURNABLE

[www.mmtmachrone.com](http://www.mmtmachrone.com)

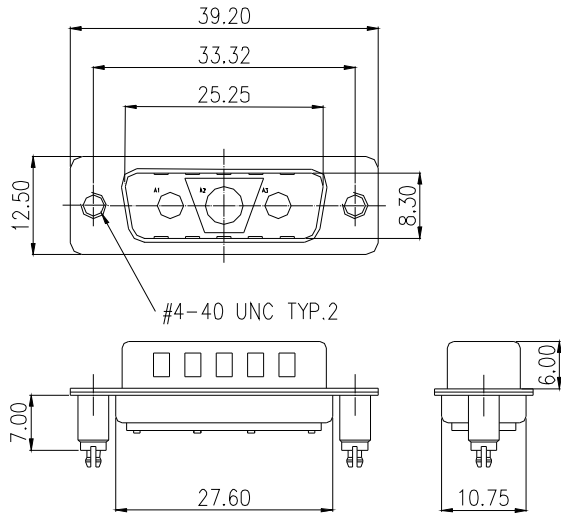
USA TEL : 1-510-979-2188  
FAX : 1-510-979-2189

TAIWAN TEL : 886-2-2755-3193  
FAX : 886-2-2784-5109

SINGAPORE TEL : 65-6274-0566  
FAX : 65-6274-7891

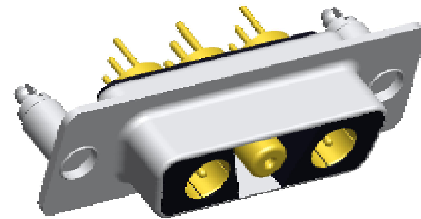
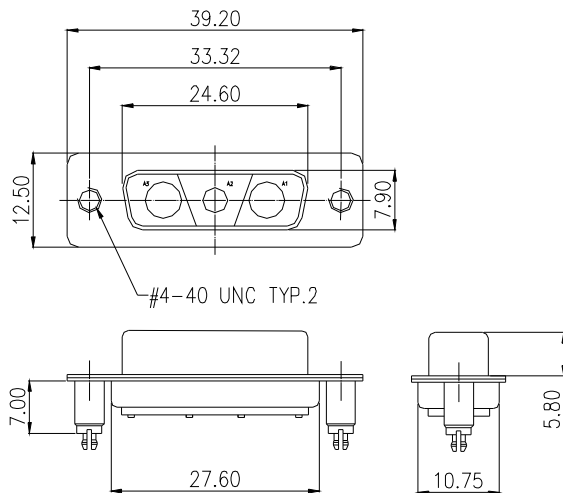
# CDB 200 SERIES - 3W3C MOUNTING TYPE K STRAIGHT TYPE - P

## MALE



POWER CONTACT		COAXIAL CONTACT
CDB200P2-PM3W3CGX	CDB200P4-PM3W3CGX	50Ω : CDB200C1-PM3W3CGX 75Ω : CDB200C2-PM3W3CGX
20 AMP	40 AMP	50Ω/75Ω
POWER CONTACT STRAIGHT DIP	POWER CONTACT STRAIGHT DIP	COAXIAL CONTACT STRAIGHT DIP

## FEMALE



POWER CONTACT		COAXIAL CONTACT
CDB200P2-PF3W3CGX	CDB200P4-PF3W3CGX	50Ω : CDB200C1-PF3W3CGX 75Ω : CDB200C2-PF3W3CGX
20 AMP	40 AMP	50Ω/75Ω
POWER CONTACT STRAIGHT DIP	POWER CONTACT STRAIGHT DIP	COAXIAL CONTACT STRAIGHT DIP

<b>CDB</b>	<b>200</b>	<b>X</b>	<b>-</b>	<b>P</b>	<b>X</b>	<b>3W3C</b>	<b>GX</b>	<b>-</b>	<b>K</b>
COMBO D-SUB	SERIES NO. 200: STRAIGHT TYPE			PCB TYPE P: STRAIGHT TYPE	GENDER M: MALE F: FEMALE	CONTACT ARRANGEMENT 3W3C TYPE			MOUNTING TYPE K: RIVTED #4-40UNC CLOSE GROUND STAND-OFF ON PEAR SHELL, DIM.L= 7.00mm (STANDARD)
	CONTACT TYPE C1: COAXIAL CONTACT, WIRE TYPE, 50 OHM C2: COAXIAL CONTACT, WIRE TYPE, 75 OHM P2: POWER CONTACT, WIRE TYPE, 20 AMP P4: POWER CONTACT, WIRE TYPE, 40AMP			CONTACT PLATING OPTION Gf: GOLD FLASH G15t: 15u" GOLD ON CONTACT, TIN PLATED ON SOLDER TAIL G30t: 30u" GOLD ON CONTACT, TIN PLATED ON SOLDER TAIL					

### ELECTRICAL CHARACTERISTIC

CONTACT CURRENT RATING: 3 AMP  
CONTACT RESISTANCE: 10M OHM MAX.  
INSULATION RESISTANCE: 5000 OHM MIN  
DIELECTRIC WITHSTANDING VOLTAGE: 1000VAC  
OPERATING TEMPERATURE:-55°C- +125°C

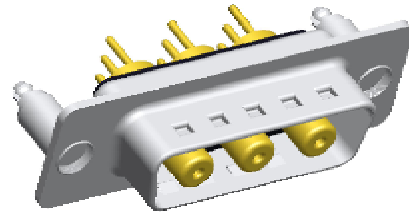
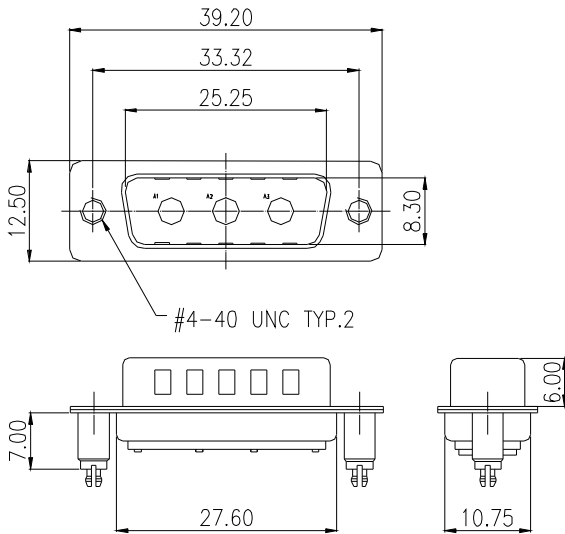
### MATERIALS

INSULATOR: P.B.T. UL 94V-0 RATED  
SHELL: SPCC - SB  
CONTACT: BRASS  
CONTACT PLATING: Au

NOTE : SOME SIZES, STYLES AND OPTION ARE NON-STANDARD, NON-CANCELLABLE, NON-RETURNABLE

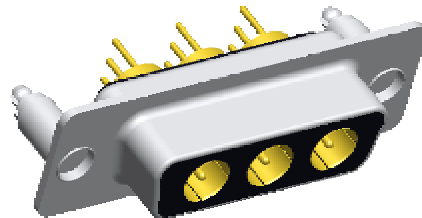
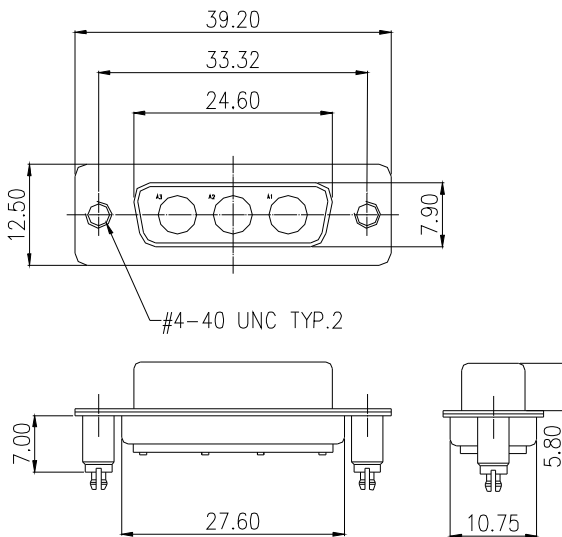
# CDB 200 SERIES - C3W3 MOUNTING TYPE K STRAIGHT TYPE - P

## MALE



POWER CONTACT		COAXIAL CONTACT
CDB200P2-PMC3W3GX	CDB200P4-PMC3W3GX	50Ω : CDB200C1-PMC3W3GX 75Ω : CDB200C2-PMC3W3GX
20 AMP	40 AMP	50Ω/75Ω
16.90 5.30 2.85	16.90 5.30 3.75	16.95 5.75
POWER CONTACT STRAIGHT DIP	POWER CONTACT STRAIGHT DIP	COAXIAL CONTACT STRAIGHT DIP

## FEMALE



POWER CONTACT		COAXIAL CONTACT
CDB200P2-PFC3W3GX	CDB200P4-PFC3W3GX	50Ω : CDB200C1-PFC3W3GX 75Ω : CDB200C2-PFC3W3GX
20 AMP	40 AMP	50Ω/75Ω
17.10 5.30 2.85	17.10 5.30 3.75	17.55 5.75
POWER CONTACT STRAIGHT DIP	POWER CONTACT STRAIGHT DIP	COAXIAL CONTACT STRAIGHT DIP

<b>CDB</b>	<b>200</b>	<b>X</b>	<b>P</b>	<b>X</b>	<b>C3W3</b>	<b>GX</b>	<b>K</b>
COMBO D-SUB	SERIES NO. 200: STRAIGHT TYPE		PCB TYPE P: STRAIGHT TYPE	GENDER M: MALE F: FEMALE	CONTACT ARRANGEMENT C3W3 TYPE		MOUNTING TYPE K: RIVTED #4-40UNC CLOSE GROUND STAND-OFF ON PEAR SHELL, DIM.L= 7.00mm (STANDARD)
	CONTACT TYPE C1: COAXIAL CONTACT, WIRE TYPE, 50 OHM C2: COAXIAL CONTACT, WIRE TYPE, 75 OHM P2: POWER CONTACT, WIRE TYPE, 20 AMP P4: POWER CONTACT, WIRE TYPE, 40AMP				CONTACT PLATING OPTION Gf: GOLD FLASH G15f: 15u" GOLD ON CONTACT, TIN PLATED ON SOLDER TAIL G30t: 30u" GOLD ON CONTACT, TIN PLATED ON SOLDER TAIL		

### ELECTRICAL CHARACTERISTIC

CONTACT CURRENT RATING: 3 AMP  
 CONTACT RESISTANCE: 10M OHM MAX.  
 INSULATION RESISTANCE: 5000 OHM MIN  
 DIELECTRIC WITHSTANDING VOLTAGE: 1000VAC  
 OPERATING TEMPERATURE:-55°C- +125°C

### MATERIALS

INSULATOR: P.B.T. UL 94V-0 RATED  
 SHELL: SPCC - SB  
 CONTACT: BRASS  
 CONTACT PLATING: Au

NOTE : SOME SIZES, STYLES AND OPTION ARE NON-STANDARD, NON-CANCELLABLE, NON-RETURNABLE

[www.mmtmachrone.com](http://www.mmtmachrone.com)

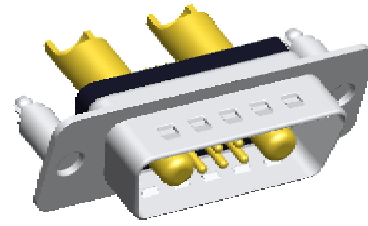
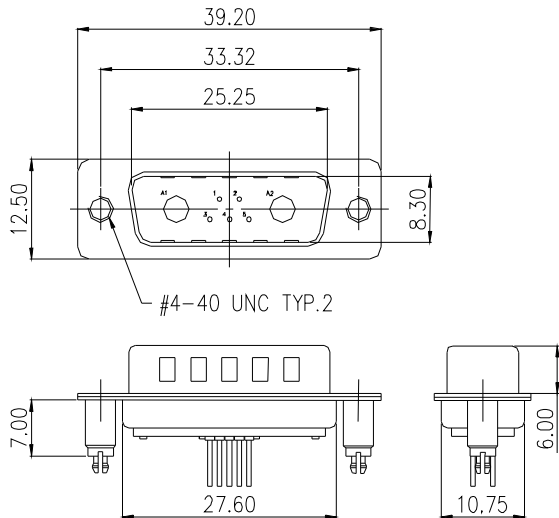
USA TEL : 1-510-979-2188  
 FAX : 1-510-979-2189

TAIWAN TEL : 886-2-2755-3193  
 FAX : 886-2-2784-5109

SINGAPORE TEL : 65-6274-0566  
 FAX : 65-6274-7891

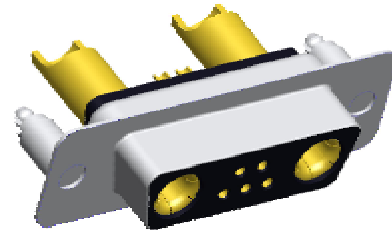
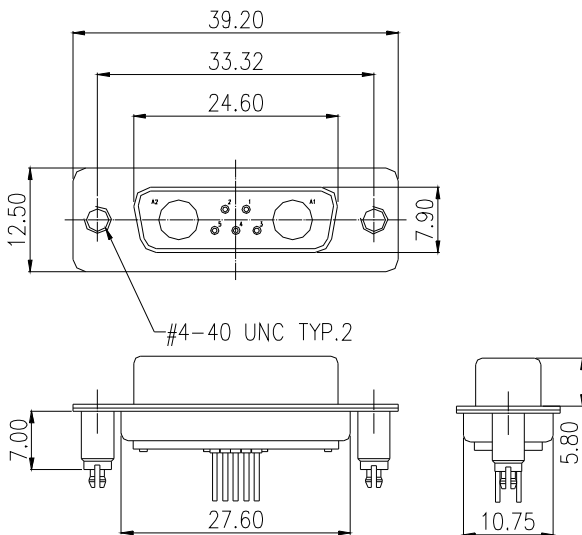
# CDB 200 SERIES - C7W2 MOUNTING TYPE K STRAIGHT TYPE - P

## MALE



POWER CONTACT		COAXIAL CONTACT
CDB200P2-PMC7W2GX	CDB200P4-PMC7W2GX	50Ω : CDB200C1-PMC7W2GX 75Ω : CDB200C2-PMC7W2GX
20 AMP	40 AMP	500/750
POWER CONTACT STRAIGHT DIP	POWER CONTACT STRAIGHT DIP	COAXIAL CONTACT STRAIGHT DIP

## FEMALE



POWER CONTACT		COAXIAL CONTACT
CDB200P2-PC7W2GX	CDB200P4-PFC7W2GX	50Ω : CDB200C1-PFC7W2GX 75Ω : CDB200C2-PFC7W2GX
20 AMP	40 AMP	500/750
POWER CONTACT STRAIGHT DIP	POWER CONTACT STRAIGHT DIP	COAXIAL CONTACT STRAIGHT DIP

<b>CDB</b>	<b>200</b>	<b>X</b>	<b>P</b>	<b>X</b>	<b>C7W2</b>	<b>GX</b>	<b>K</b>
COMBO D-SUB	SERIES NO. 200: STRAIGHT TYPE		PCB TYPE P: STRAIGHT TYPE	GENDER M: MALE F: FEMALE	CONTACT ARRANGEMENT C7W2 TYPE		MOUNTING TYPE K: RIVTED #4-40UNC CLOSE GROUND STAND-OFF ON PEAR SHELL, DIM.L= 7.00mm (STANDARD)
	CONTACT TYPE C1: COAXIAL CONTACT, WIRE TYPE, 50 OHM C2: COAXIAL CONTACT, WIRE TYPE, 75 OHM P2: POWER CONTACT, WIRE TYPE, 20 AMP P4: POWER CONTACT, WIRE TYPE, 40AMP			CONTACT PLATING OPTION Gf: GOLD FLASH G15t: 15u" GOLD ON CONTACT, TIN PLATED ON SOLDER TAIL G30t: 30u" GOLD ON CONTACT, TIN PLATED ON SOLDER TAIL			

### ELECTRICAL CHARACTERISTIC

CONTACT CURRENT RATING: 3 AMP  
CONTACT RESISTANCE: 10M OHM MAX.  
INSULATION RESISTANCE: 5000 OHM MIN  
DIELECTRIC WITHSTANDING VOLTAGE: 1000VAC  
OPERATING TEMPERATURE:-55°C- +125°C

### MATERIALS

INSULATOR: P.B.T. UL 94V-0 RATED  
SHELL: SPCC - SB  
CONTACT: BRASS  
CONTACT PLATING: Au

NOTE : SOME SIZES, STYLES AND OPTION ARE NON-STANDARD, NON-CANCELLABLE, NON-RETURNABLE

[www.mmtmachrone.com](http://www.mmtmachrone.com)

USA TEL : 1-510-979-2188  
FAX : 1-510-979-2189

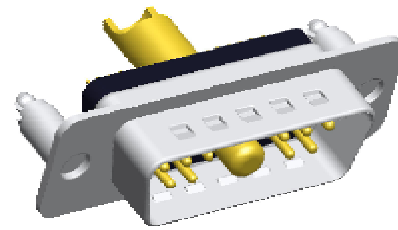
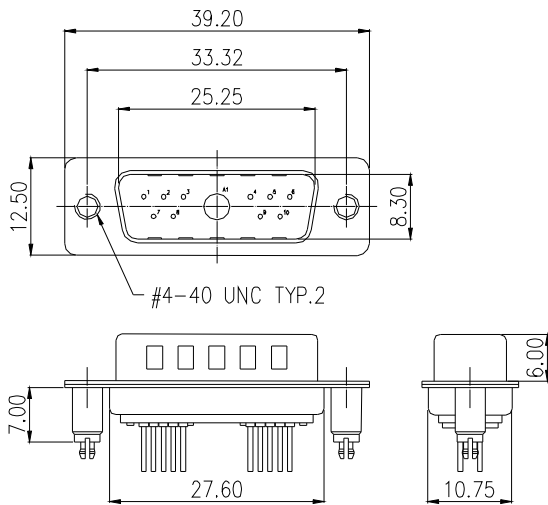
TAIWAN TEL : 886-2-2755-3193  
FAX : 886-2-2784-5109

SINGAPORE TEL : 65-6274-0566  
FAX : 65-6274-7891



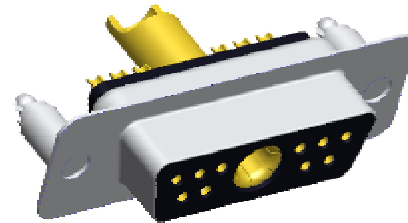
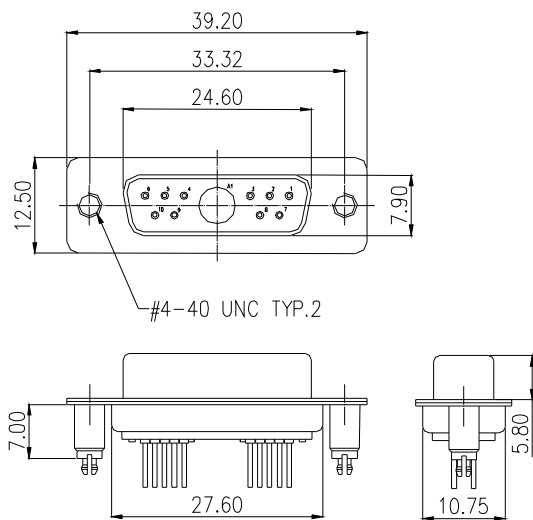
# CDB 200 SERIES - 11W1 MOUNTING TYPE K STRAIGHT TYPE - P

## MALE



POWER CONTACT		COAXIAL CONTACT
CDB200P2-PM11W1GX	CDB200P4-PM11W1GX	50Ω : CDB200C1-PM11W1GX 75Ω : CDB200C2-PM11W1GX
20 AMP	40 AMP	500/750
16.90 5.30	16.90 5.30	16.95 5.75
POWER CONTACT STRAIGHT DIP	POWER CONTACT STRAIGHT DIP	COAXIAL CONTACT STRAIGHT DIP
2.85	3.75	

## FEMALE



POWER CONTACT		COAXIAL CONTACT
CDB200P2-PF11W1GX	CDB200P4-PF11W1GX	50Ω : CDB200C1-PF11W1GX 75Ω : CDB200C2-PF11W1GX
20 AMP	40 AMP	500/750
17.10 5.30	17.10 5.30	17.55 5.75
POWER CONTACT STRAIGHT DIP	POWER CONTACT STRAIGHT DIP	COAXIAL CONTACT STRAIGHT DIP
2.85	3.75	

<b>CDB</b>	<b>200</b>	<b>X</b>	<b>P</b>	<b>X</b>	<b>11W1</b>	<b>GX</b>	<b>K</b>
COMBO D-SUB	SERIES NO. 200: STRAIGHT TYPE		PCB TYPE P: STRAIGHT TYPE	GENDER M: MALE F: FEMALE	CONTACT ARRANGEMENT 11W1 TYPE		MOUNTING TYPE K: RIVTED #4-40UNC CLOSE GROUND STAND-OFF ON PEAR SHELL, DIM.L= 7.00mm (STANDARD)
	CONTACT TYPE C1: COAXIAL CONTACT, WIRE TYPE, 50 OHM C2: COAXIAL CONTACT, WIRE TYPE, 75 OHM P2: POWER CONTACT, WIRE TYPE, 20 AMP P4: POWER CONTACT, WIRE TYPE, 40AMP				CONTACT PLATING OPTION Gf: GOLD FLASH G15t: 15u" GOLD ON CONTACT, TIN PLATED ON SOLDER TAIL G30t: 30u" GOLD ON CONTACT, TIN PLATED ON SOLDER TAIL		

### ELECTRICAL CHARACTERISTIC

CONTACT CURRENT RATING: 3 AMP  
CONTACT RESISTANCE: 10M OHM MAX.  
INSULATION RESISTANCE: 5000 OHM MIN  
DIELECTRIC WITHSTANDING VOLTAGE: 1000VAC  
OPERATING TEMPERATURE:-55°C- +125°C

### MATERIALS

INSULATOR: P.B.T. UL 94V-0 RATED  
SHELL: SPCC - SB  
CONTACT: BRASS  
CONTACT PLATING: Au

NOTE : SOME SIZES, STYLES AND OPTION ARE NON-STANDARD, NON-CANCELLABLE, NON-RETURNABLE

[www.mmtmachrone.com](http://www.mmtmachrone.com)

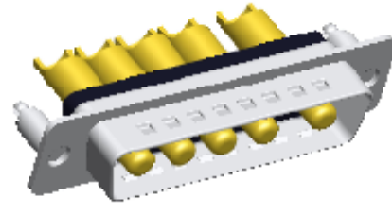
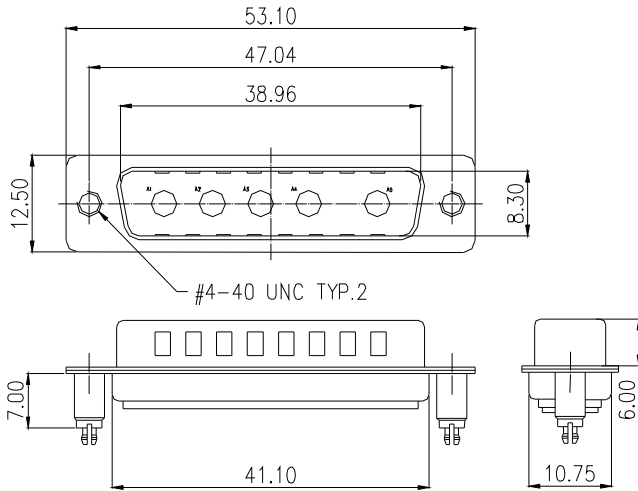
USA TEL : 1-510-979-2188  
FAX : 1-510-979-2189

TAIWAN TEL : 886-2-2755-3193  
FAX : 886-2-2784-5109

SINGAPORE TEL : 65-6274-0566  
FAX : 65-6274-7891

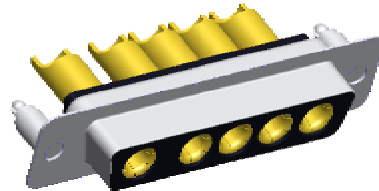
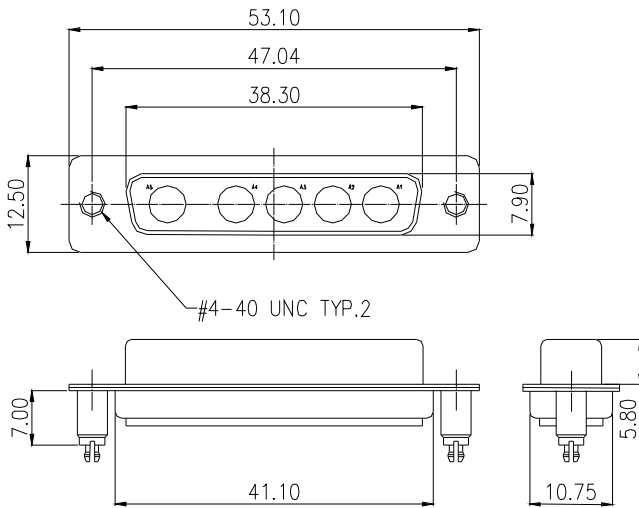
# CDB 200 SERIES - C5W5 MOUNTING TYPE K STRAIGHT TYPE - P

## MALE



POWER CONTACT		COAXIAL CONTACT	
CDB200P2-PMC5W5GX	CDB200P4-PMC5W5GX	50Ω : CDB200C1-PMC5W5GX	75Ω : CDB200C2-PMC5W5GX
20 AMP	40 AMP	50Ω/75Ω	
16.90 5.30	16.90 5.30	16.95 5.75	
POWER CONTACT STRAIGHT DIP 2.85	POWER CONTACT STRAIGHT DIP 3.75	COAXIAL CONTACT STRAIGHT DIP	

## FEMALE



POWER CONTACT		COAXIAL CONTACT	
CDB200P2-PFC5W5GX	CDB200P4-PFC5W5GX	50Ω : CDB200C1-PFC5W5GX	75Ω : CDB200C2-PFC5W5GX
20 AMP	40 AMP	50Ω/75Ω	
17.10 5.30	17.10 5.30	17.55 5.75	
POWER CONTACT STRAIGHT DIP 2.85	POWER CONTACT STRAIGHT DIP 3.75	COAXIAL CONTACT STRAIGHT DIP	

<b>CDB</b> COMBO D-SUB	<b>200</b> SERIES NO. 200: STRAIGHT TYPE	<b>X</b>	<b>P</b> PCB TYPE P: STRAIGHT TYPE	<b>X</b> GENDER M: MALE F: FEMALE	<b>C5W5</b> CONTACT ARRANGEMENT C5W5 TYPE	<b>GX</b>	<b>K</b> MOUNTING TYPE K: RIVTED #4-40UNC CLOSE GROUND STAND-OFF ON PEAR SHELL, DIM.L= 7.00mm (STANDARD)
<b>CONTACT TYPE</b> C1: COAXIAL CONTACT, WIRE TYPE, 50 OHM C2: COAXIAL CONTACT, WIRE TYPE, 75 OHM P2: POWER CONTACT, WIRE TYPE, 20 AMP P4: POWER CONTACT, WIRE TYPE, 40AMP				<b>CONTACT PLATING OPTION</b> Gf: GOLD FLASH G15t: 15u" GOLD ON CONTACT, TIN PLATED ON SOLDER TAIL G30t: 30u" GOLD ON CONTACT, TIN PLATED ON SOLDER TAIL			

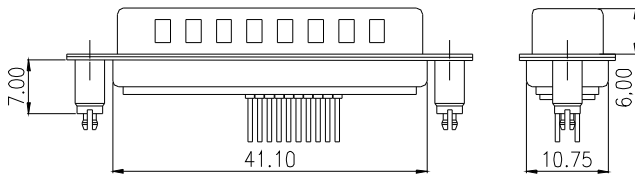
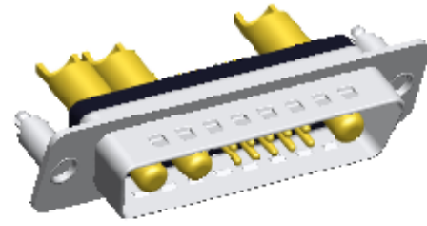
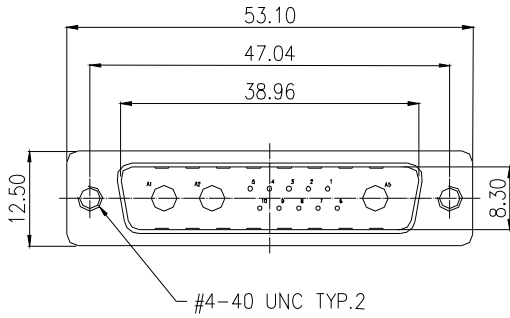
**ELECTRICAL CHARACTERISTIC**  
 CONTACT CURRENT RATING: 3 AMP  
 CONTACT RESISTANCE: 10M OHM MAX.  
 INSULATION RESISTANCE: 5000 OHM MIN  
 DIELECTRIC WITHSTANDING VOLTAGE: 1000VAC  
 OPERATING TEMPERATURE:-55°C- +125°C

**MATERIALS**  
 INSULATOR: P.B.T. UL 94V-0 RATED  
 SHELL: SPCC - SB  
 CONTACT: BRASS  
 CONTACT PLATING: Au

NOTE : SOME SIZES, STYLES AND OPTION ARE NON-STANDARD, NON-CANCELLABLE, NON-RETURNABLE

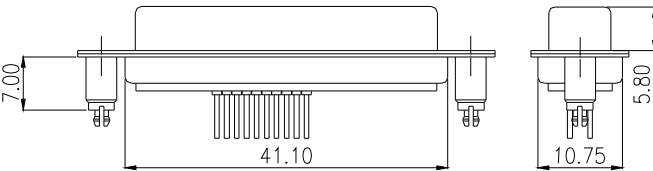
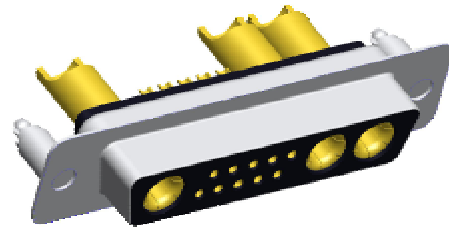
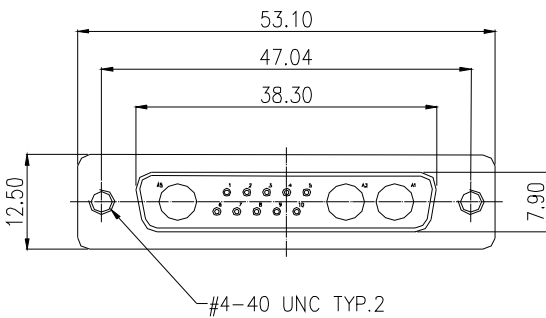
# CDB 200 SERIES - 13W3 MOUNTING TYPE K STRAIGHT TYPE - P

## MALE



POWER CONTACT		COAXIAL CONTACT
CDB200P2-PM13W3GX	CDB200P4-PM13W3GX	50Ω : CDB200C1-PM13W3GX 75Ω : CDB200C2-PM13W3GX
20 AMP	40 AMP	50Ω/75Ω
POWER CONTACT STRAIGHT DIP	POWER CONTACT STRAIGHT DIP	COAXIAL CONTACT STRAIGHT DIP

## FEMALE



POWER CONTACT		COAXIAL CONTACT
CDB200P2-PF13W3GX	CDB200P4-PF13W3GX	50Ω : CDB200C1-PF13W3GX 75Ω : CDB200C2-PF13W3GX
20 AMP	40 AMP	50Ω/75Ω
POWER CONTACT STRAIGHT DIP	POWER CONTACT STRAIGHT DIP	COAXIAL CONTACT STRAIGHT DIP

<b>CDB</b> COMBO D-SUB	<b>200</b> SERIES NO. 200: STRAIGHT TYPE	<b>X</b> PCB TYPE P: STRAIGHT TYPE	<b>P</b> GENDER M: MALE F: FEMALE	<b>X</b> CONTACT ARRANGEMENT 13W3 TYPE	<b>13W3</b> CONTACT PLATING OPTION Gf: GOLD FLASH G15t: 15u" GOLD ON CONTACT, TIN PLATED ON SOLDER TAIL G30t: 30u" GOLD ON CONTACT, TIN PLATED ON SOLDER TAIL	<b>GX</b> CONTACT TYPE C1: COAXIAL CONTACT, WIRE TYPE, 50 OHM C2: COAXIAL CONTACT, WIRE TYPE, 75 OHM P2: POWER CONTACT, WIRE TYPE, 20 AMP P4: POWER CONTACT, WIRE TYPE, 40AMP	<b>K</b> MOUNTING TYPE K: RIVTED #4-40UNC CLOSE GROUND STAND-OFF ON PEAR SHELL, DIM.L= 7.00mm (STANDARD)
---------------------------	--	--	--	--	---	--	--

### ELECTRICAL CHARACTERISTIC

CONTACT CURRENT RATING: 3 AMP  
CONTACT RESISTANCE: 10M OHM MAX.  
INSULATION RESISTANCE: 5000 OHM MIN  
DIELECTRIC WITHSTANDING VOLTAGE: 1000VAC  
OPERATING TEMPERATURE:-55°C- +125°C

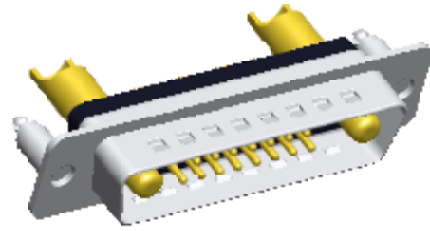
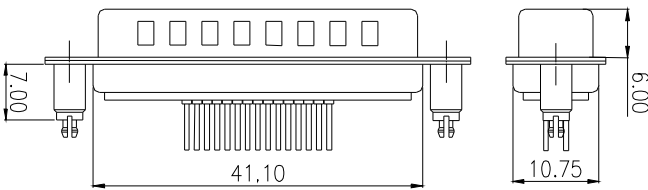
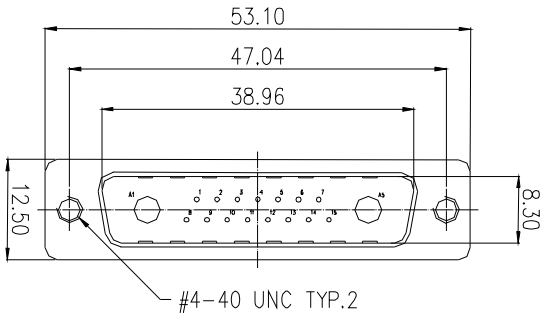
### MATERIALS

INSULATOR: P.B.T. UL 94V-0 RATED  
SHELL: SPCC - SB  
CONTACT: BRASS  
CONTACT PLATING: Au

NOTE : SOME SIZES, STYLES AND OPTION ARE NON-STANDARD, NON-CANCELLABLE, NON-RETURNABLE

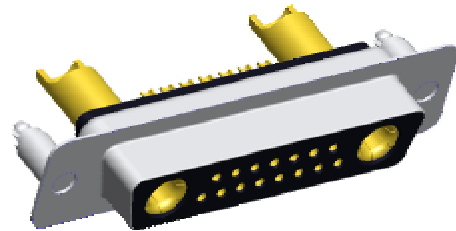
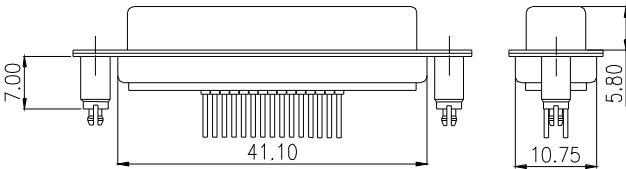
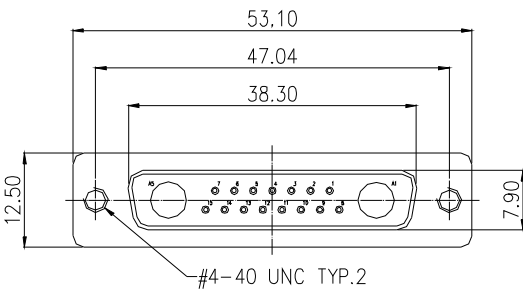
# CDB 200 SERIES - 17W2 MOUNTING TYPE K STRAIGHT TYPE - P

## MALE



POWER CONTACT		COAXIAL CONTACT
CDB200P2-PM17W2GX	CDB200P4-PM17W2GX	50Ω : CDB200C1-PM17W2GX 75Ω : CDB200C2-PM17W2GX
20 AMP	40 AMP	50Ω/75Ω
16.90 5.30 2.85	16.90 5.30 3.75	16.95 5.75
POWER CONTACT STRAIGHT DIP	POWER CONTACT STRAIGHT DIP	COAXIAL CONTACT STRAIGHT DIP

## FEMALE



POWER CONTACT		COAXIAL CONTACT
CDB200P2-PF17W2GX	CDB200P4-PF17W2GX	50Ω : CDB200C1-PF17W2GX 75Ω : CDB200C2-PF17W2GX
20 AMP	40 AMP	50Ω/75Ω
17.10 5.30 2.85	17.10 5.30 3.75	17.55 5.75
POWER CONTACT STRAIGHT DIP	POWER CONTACT STRAIGHT DIP	COAXIAL CONTACT STRAIGHT DIP

<b>CDB</b>	<b>200</b>	<b>X</b>	<b>P</b>	<b>X</b>	<b>17W2</b>	<b>GX</b>	<b>K</b>
COMBO D-SUB	SERIES NO. 200: STRAIGHT TYPE		PCB TYPE P: STRAIGHT TYPE	GENDER M: MALE F: FEMALE	CONTACT ARRANGEMENT 17W2 TYPE		MOUNTING TYPE K: RIVTED #4-40UNC CLOSE GROUND STAND-OFF ON PEAR SHELL, DIM.L= 7.00mm (STANDARD)
	CONTACT TYPE C1: COAXIAL CONTACT, WIRE TYPE, 50 OHM C2: COAXIAL CONTACT, WIRE TYPE, 75 OHM P2: POWER CONTACT, WIRE TYPE, 20 AMP P4: POWER CONTACT, WIRE TYPE, 40AMP				CONTACT PLATING OPTION Gf: GOLD FLASH G15t: 15u" GOLD ON CONTACT, TIN PLATED ON SOLDER TAIL G30t: 30u" GOLD ON CONTACT, TIN PLATED ON SOLDER TAIL		

### ELECTRICAL CHARACTERISTIC

CONTACT CURRENT RATING: 3 AMP  
CONTACT RESISTANCE: 10M OHM MAX.  
INSULATION RESISTANCE: 5000 OHM MIN  
DIELECTRIC WITHSTANDING VOLTAGE: 1000VAC  
OPERATING TEMPERATURE:-55°C- +125°C

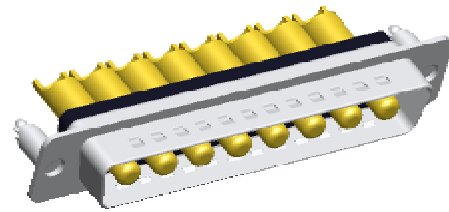
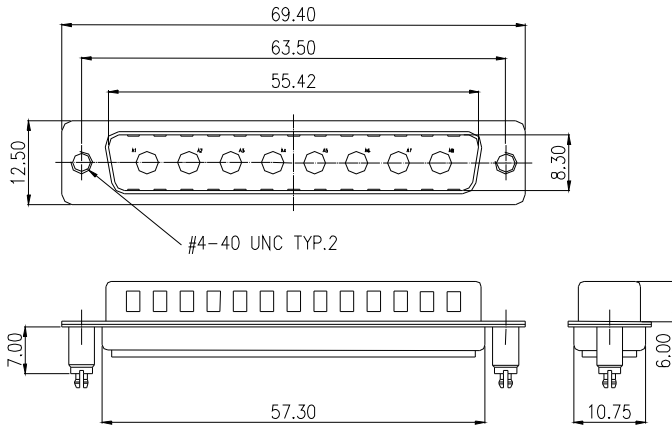
### MATERIALS

INSULATOR: P.B.T. UL 94V-0 RATED  
SHELL: SPCC - SB  
CONTACT: BRASS  
CONTACT PLATING: Au

NOTE : SOME SIZES, STYLES AND OPTION ARE NON-STANDARD, NON-CANCELLABLE, NON-RETURNABLE

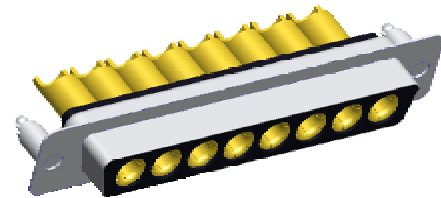
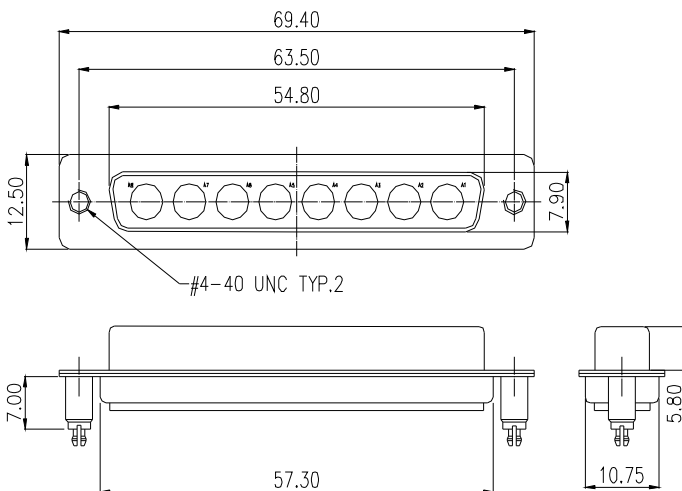
# CDB 200 SERIES - C8W8 MOUNTING TYPE K STRAIGHT TYPE - P

## MALE



POWER CONTACT		COAXIAL CONTACT	
CDB200P2-PMC8W8GX	CDB200P4-PMC8W8GX	50Ω : CDB200C1-PMC8W8GX	75Ω : CDB200C2-PMC8W8GX
20 AMP	40 AMP	500/750	
16.90 5.30	16.90 5.30	16.95 5.75	
POWER CONTACT STRAIGHT DIP	POWER CONTACT STRAIGHT DIP	COAXIAL CONTACT STRAIGHT DIP	
2.85	3.75		

## FEMALE



POWER CONTACT		COAXIAL CONTACT	
CDB200P2-PFC8W8GX	CDB200P4-PFC8W8GX	50Ω : CDB200C1-PFC8W8GX	75Ω : CDB200C2-PFC8W8GX
20 AMP	40 AMP	500/750	
17.10 5.30	17.10 5.30	17.55 5.75	
POWER CONTACT STRAIGHT DIP	POWER CONTACT STRAIGHT DIP	COAXIAL CONTACT STRAIGHT DIP	
2.85	3.75		

<b>CDB</b>	<b>200</b>	<b>X</b>	<b>P</b>	<b>X</b>	<b>C8W8</b>	<b>GX</b>	<b>K</b>
COMBO D-SUB	SERIES NO. 200: STRAIGHT TYPE		PCB TYPE P: STRAIGHT TYPE	GENDER M: MALE F: FEMALE	CONTACT ARRANGEMENT C8W8 TYPE		MOUNTING TYPE K: RIVTED #4-40UNC CLOSE GROUND STAND-OFF ON PEAR SHELL, DIM.L= 7.00mm (STANDARD)
	CONTACT TYPE C1: COAXIAL CONTACT, WIRE TYPE, 50 OHM C2: COAXIAL CONTACT, WIRE TYPE, 75 OHM P2: POWER CONTACT, WIRE TYPE, 20 AMP P4: POWER CONTACT, WIRE TYPE, 40AMP			CONTACT PLATING OPTION Gf: GOLD FLASH G15t: 15u" GOLD ON CONTACT, TIN PLATED ON SOLDER TAIL G30t: 30u" GOLD ON CONTACT, TIN PLATED ON SOLDER TAIL			

### ELECTRICAL CHARACTERISTIC

CONTACT CURRENT RATING: 3 AMP  
 CONTACT RESISTANCE: 10M OHM MAX.  
 INSULATION RESISTANCE: 5000 OHM MIN  
 DIELECTRIC WITHSTANDING VOLTAGE: 1000VAC  
 OPERATING TEMPERATURE:-55°C- +125°C

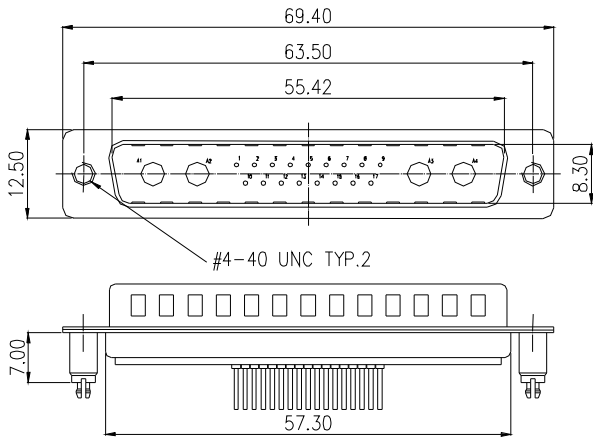
### MATERIALS

INSULATOR: P.B.T. UL 94V-0 RATED  
 SHELL: SPCC - SB  
 CONTACT: BRASS  
 CONTACT PLATING: Au

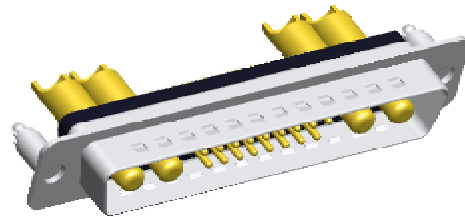
NOTE : SOME SIZES, STYLES AND OPTION ARE NON-STANDARD, NON-CANCELLABLE, NON-RETURNABLE

# CDB 200 SERIES - 21W4 MOUNTING TYPE K STRAIGHT TYPE - P

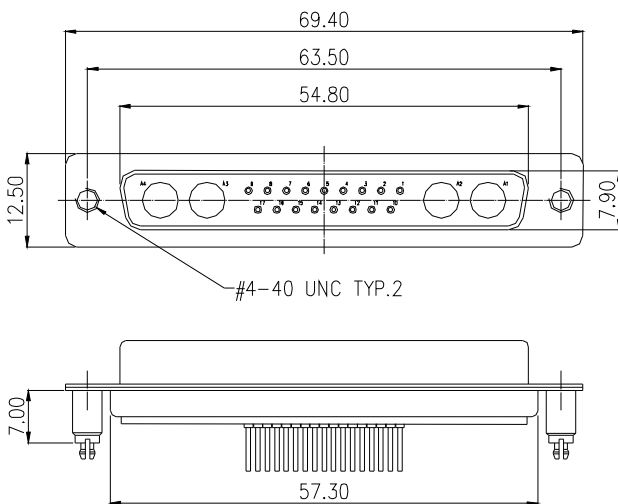
## MALE



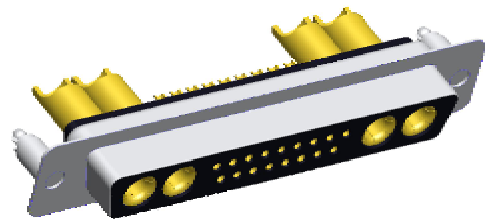
POWER CONTACT		COAXIAL CONTACT
CDB200P2-PM21W4GX 20 AMP	CDB200P4-PM21W4GX 40 AMP	500 : CDB200C1-PM21W4GX 750 : CDB200C2-PM21W4GX 500/750
POWER CONTACT STRAIGHT DIP	POWER CONTACT STRAIGHT DIP	COAXIAL CONTACT STRAIGHT DIP



## FEMALE



POWER CONTACT		COAXIAL CONTACT
CDB200P2-PF21W4GX 20 AMP	CDB200P4-PF21W4GX 40 AMP	500 : CDB200C1-PF21W4GX 750 : CDB200C2-PF21W4GX 500/750
POWER CONTACT STRAIGHT DIP	POWER CONTACT STRAIGHT DIP	COAXIAL CONTACT STRAIGHT DIP



<b>CDB</b>	<b>200</b>	<b>X</b>	<b>P</b>	<b>X</b>	<b>21W4</b>	<b>GX</b>	<b>K</b>
COMBO D-SUB	SERIES NO. 200: STRAIGHT TYPE		PCB TYPE P: STRAIGHT TYPE	GENDER M: MALE F: FEMALE	CONTACT ARRANGEMENT 21W4 TYPE		MOUNTING TYPE K: RIVTED #4-40UNC CLOSE GROUND STAND-OFF ON PEAR SHELL, DIM.L= 7.00mm (STANDARD)
	CONTACT TYPE C1: COAXIAL CONTACT, WIRE TYPE, 50 OHM C2: COAXIAL CONTACT, WIRE TYPE, 75 OHM P2: POWER CONTACT, WIRE TYPE, 20 AMP P4: POWER CONTACT, WIRE TYPE, 40AMP			CONTACT PLATING OPTION Gf: GOLD FLASH G15t: 15u" GOLD ON CONTACT, TIN PLATED ON SOLDER TAIL G30t: 30u" GOLD ON CONTACT, TIN PLATED ON SOLDER TAIL			

### ELECTRICAL CHARACTERISTIC

CONTACT CURRENT RATING: 3 AMP  
CONTACT RESISTANCE: 10M OHM MAX.  
INSULATION RESISTANCE: 5000 OHM MIN  
DIELECTRIC WITHSTANDING VOLTAGE: 1000VAC  
OPERATING TEMPERATURE:-55°C- +125°C

### MATERIALS

INSULATOR: P.B.T. UL 94V-0 RATED  
SHELL: SPCC - SB  
CONTACT: BRASS  
CONTACT PLATING: Au

NOTE : SOME SIZES, STYLES AND OPTION ARE NON-STANDARD, NON-CANCELLABLE, NON-RETURNABLE

[www.mmtmachrone.com](http://www.mmtmachrone.com)

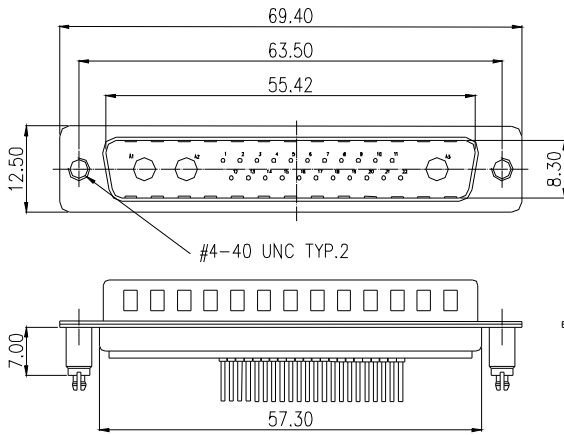
USA TEL : 1-510-979-2188  
FAX : 1-510-979-2189

TAIWAN TEL : 886-2-2755-3193  
FAX : 886-2-2784-5109

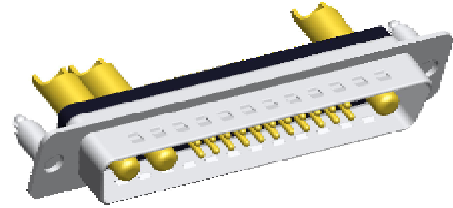
SINGAPORE TEL : 65-6274-0566  
FAX : 65-6274-7891

# CDB 200 SERIES - 25W3 MOUNTING TYPE K STRAIGHT TYPE - P

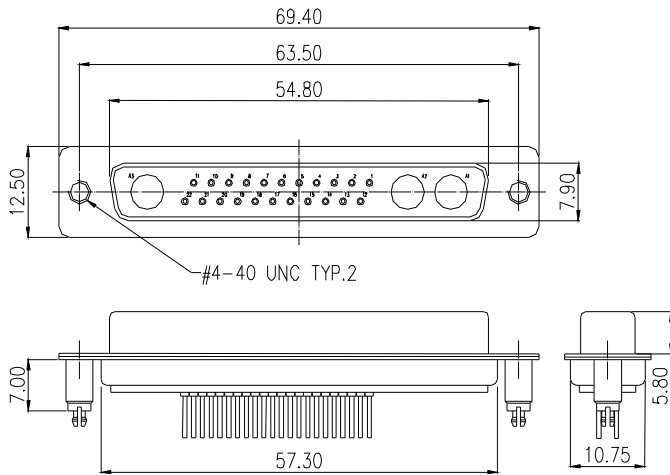
## MALE



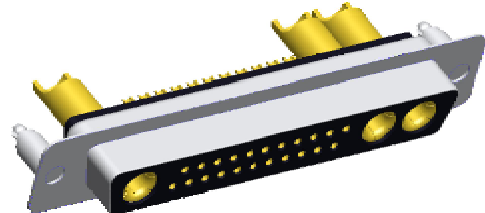
POWER CONTACT		COAXIAL CONTACT
CDB200P2-PM25W3GX	CDB200P4-PM25W3GX	50Ω : CDB200C1-PM25W3GX 75Ω : CDB200C2-PM25W3GX
20 AMP	40 AMP	500/750
16.90 5.30 2.85	16.90 5.30 5.75	16.95 5.75
POWER CONTACT STRAIGHT DIP	POWER CONTACT STRAIGHT DIP	COAXIAL CONTACT STRAIGHT DIP



## FEMALE



POWER CONTACT		COAXIAL CONTACT
CDB200P2-PF25W3GX	CDB200P4-PF25W3GX	50Ω : CDB200C1-PF25W3GX 75Ω : CDB200C2-PF25W3GX
20 AMP	40 AMP	500/750
17.10 5.30 2.85	17.10 5.30 3.75	17.55 5.75
POWER CONTACT STRAIGHT DIP	POWER CONTACT STRAIGHT DIP	COAXIAL CONTACT STRAIGHT DIP



<b>CDB</b>	<b>200</b>	<b>X</b>	<b>P</b>	<b>X</b>	<b>25W3</b>	<b>GX</b>	<b>K</b>
COMBO D-SUB	SERIES NO. 200: STRAIGHT TYPE		PCB TYPE P: STRAIGHT TYPE	GENDER M: MALE F: FEMALE	CONTACT ARRANGEMENT 25W3 TYPE		MOUNTING TYPE K: RIVTED #4-40UNC CLOSE GROUND STAND-OFF ON PEAR SHELL, DIM.L= 7.00mm (STANDARD)
	CONTACT TYPE C1: COAXIAL CONTACT, WIRE TYPE, 50 OHM C2: COAXIAL CONTACT, WIRE TYPE, 75 OHM P2: POWER CONTACT, WIRE TYPE, 20 AMP P4: POWER CONTACT, WIRE TYPE, 40AMP			CONTACT PLATING OPTION Gf: GOLD FLASH G15t: 15u" GOLD ON CONTACT, TIN PLATED ON SOLDER TAIL G30t: 30u" GOLD ON CONTACT, TIN PLATED ON SOLDER TAIL			

### ELECTRICAL CHARACTERISTIC

CONTACT CURRENT RATING: 3 AMP  
CONTACT RESISTANCE: 10M OHM MAX.  
INSULATION RESISTANCE: 5000 OHM MIN  
DIELECTRIC WITHSTANDING VOLTAGE: 1000VAC  
OPERATING TEMPERATURE:-55°C- +125°C

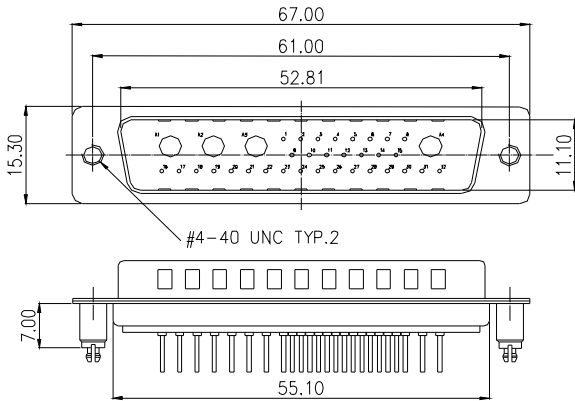
### MATERIALS

INSULATOR: P.B.T. UL 94V-0 RATED  
SHELL: SPCC - SB  
CONTACT: BRASS  
CONTACT PLATING: Au

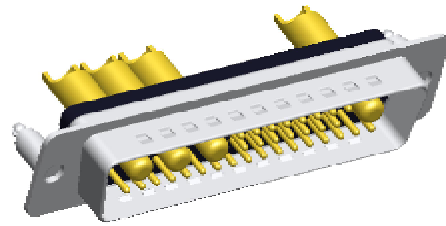
NOTE : SOME SIZES, STYLES AND OPTION ARE NON-STANDARD, NON-CANCELLABLE, NON-RETURNABLE

# CDB 200 SERIES - 36W4 MOUNTING TYPE K STRAIGHT TYPE - P

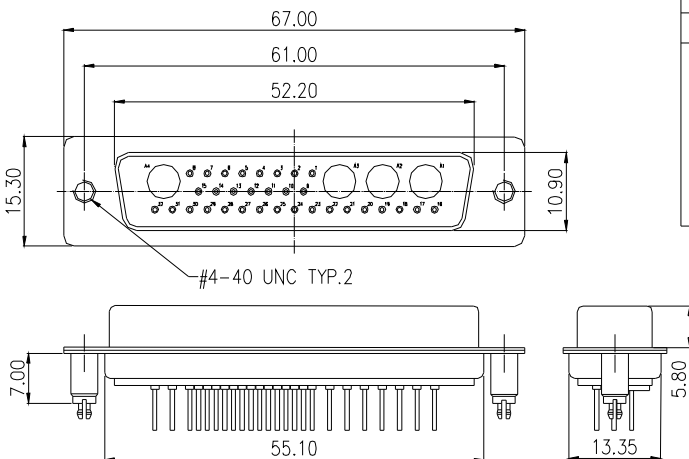
## MALE



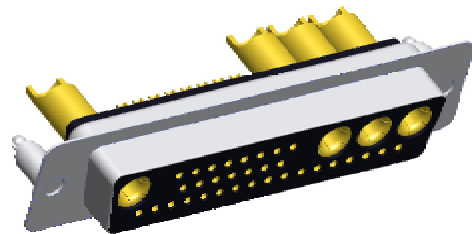
POWER CONTACT		COAXIAL CONTACT
CDB200P2-PM36W4GX	CDB200P4-PM36W4GX	50Ω : CDB200C1-PM36W4GX 75Ω : CDB200C2-PM36W4GX
20 AMP	40 AMP	500/750
16.90 5.30 2.85	16.90 5.30 3.75	16.95 5.75
POWER CONTACT STRAIGHT DIP	POWER CONTACT STRAIGHT DIP	COAXIAL CONTACT STRAIGHT DIP



## FEMALE



POWER CONTACT		COAXIAL CONTACT
CDB200P2-PF36W4GX	CDB200P4-PF36W4GX	50Ω : CDB200C1-PF36W4GX 75Ω : CDB200C2-PF36W4GX
20 AMP	40 AMP	500/750
17.10 5.30 2.85	17.10 5.30 3.75	17.55 5.75
POWER CONTACT STRAIGHT DIP	POWER CONTACT STRAIGHT DIP	COAXIAL CONTACT STRAIGHT DIP



<b>CDB</b>	<b>200</b>	<b>X</b>	<b>P</b>	<b>X</b>	<b>36W4</b>	<b>GX</b>	<b>K</b>
COMBO D-SUB	SERIES NO. 200: STRAIGHT TYPE		PCB TYPE P: STRAIGHT TYPE	GENDER M: MALE F: FEMALE	CONTACT ARRANGEMENT 36W4 TYPE		MOUNTING TYPE K: RIVTED #4-40UNC CLOSE GROUND STAND-OFF ON PEAR SHELL, DIM.L= 7.00mm (STANDARD)
	CONTACT TYPE C1: COAXIAL CONTACT, WIRE TYPE, 50 OHM C2: COAXIAL CONTACT, WIRE TYPE, 75 OHM P2: POWER CONTACT, WIRE TYPE, 20 AMP P4: POWER CONTACT, WIRE TYPE, 40AMP			CONTACT PLATING OPTION Gf: GOLD FLASH G15t: 15u" GOLD ON CONTACT, TIN PLATED ON SOLDER TAIL G30t: 30u" GOLD ON CONTACT, TIN PLATED ON SOLDER TAIL			

### ELECTRICAL CHARACTERISTIC

CONTACT CURRENT RATING: 3 AMP  
CONTACT RESISTANCE: 10M OHM MAX.  
INSULATION RESISTANCE: 5000 OHM MIN  
DIELECTRIC WITHSTANDING VOLTAGE: 1000VAC  
OPERATING TEMPERATURE:-55°C- +125°C

### MATERIALS

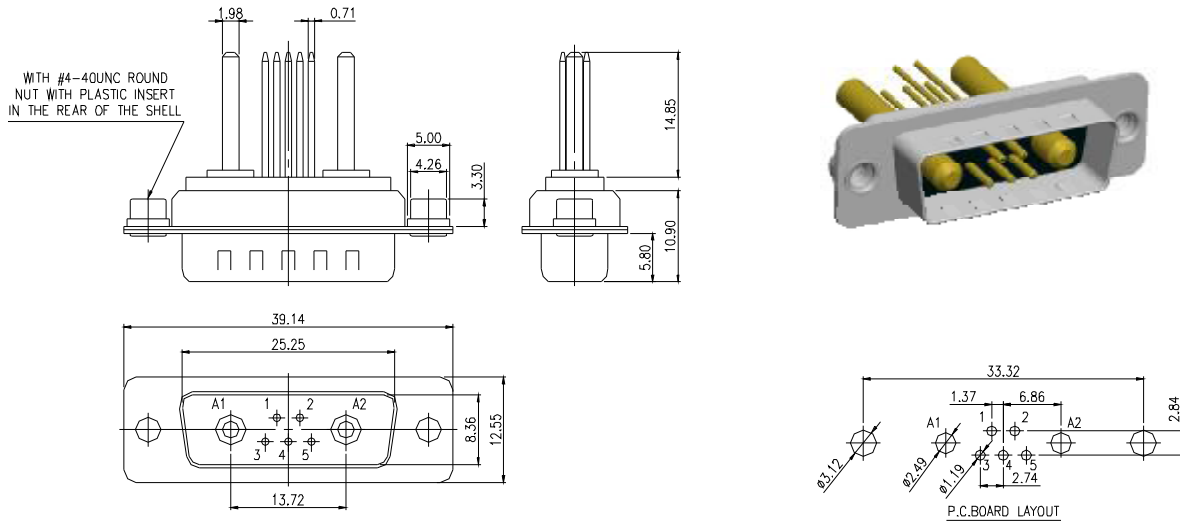
INSULATOR: P.B.T. UL 94V-0 RATED  
SHELL: SPCC - SB  
CONTACT: BRASS  
CONTACT PLATING: Au

NOTE : SOME SIZES, STYLES AND OPTION ARE NON-STANDARD, NON-CANCELLABLE, NON-RETURNABLE

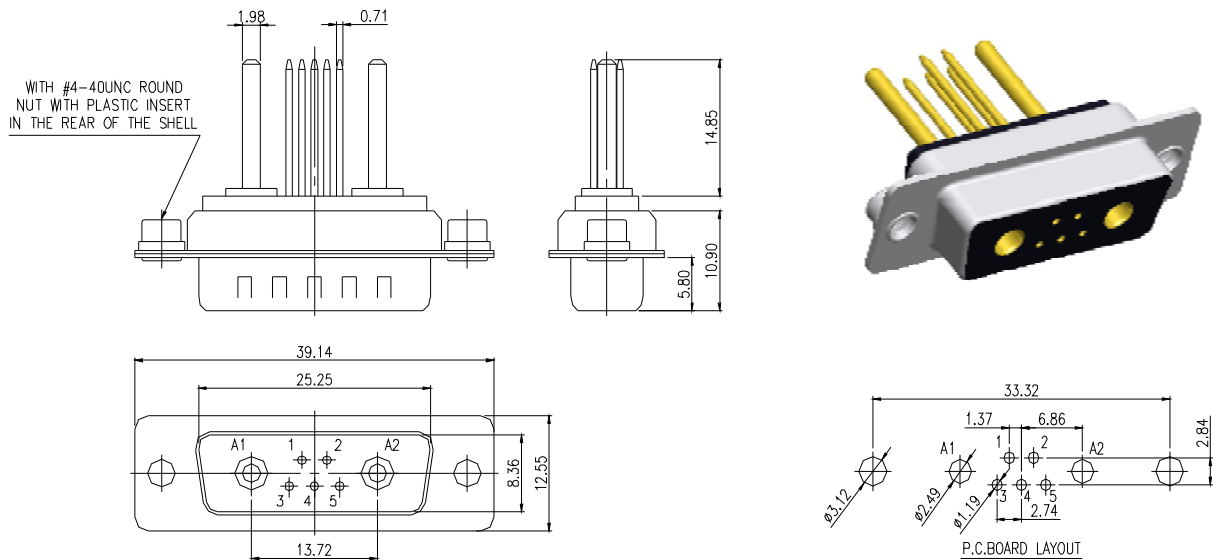


## CDB 220 SERIES - 7W2 MOUNTING TYPE JP STRAIGHT TYPE - P

### MALE



### FEMALE



<b>CDB</b>	<b>220</b>	<b>X</b>	<b>P</b>	<b>X</b>	<b>7W2</b>	<b>GX</b>	<b>JP</b>
COMBO D-SUB	SERIES NO. 220: STRAIGHT TYPE		PCB TYPE P: STRAIGHT TYPE	GENDER M: MALE F: FEMALE	CONTACT ARRANGEMENT 7W2 TYPE		MOUNTING TYPE JP: WITH # 4-40 UNC ROUND NUT WITH PLASTIC INSERT IN THE REAR OF THE SHELL
	CONTACT TYPE C1: COAXIAL CONTACT, WIRE TYPE, 50 OHM C2: COAXIAL CONTACT, WIRE TYPE, 75 OHM P2: POWER CONTACT, WIRE TYPE, 20 AMP P4: POWER CONTACT, WIRE TYPE, 40AMP				CONTACT PLATING OPTION Gf: GOLD FLASH G15t: 15u" GOLD ON CONTACT, TIN PLATED ON SOLDER TAIL G30t: 30u" GOLD ON CONTACT, TIN PLATED ON SOLDER TAIL		

#### ELECTRICAL CHARACTERISTIC

CONTACT CURRENT RATING: 3 AMP  
CONTACT RESISTANCE: 10M OHM MAX.  
INSULATION RESISTANCE: 5000 OHM MIN  
DIELECTRIC WITHSTANDING VOLTAGE: 1000VAC  
OPERATING TEMPERATURE:-55°C- +125°C

#### MATERIALS

INSULATOR: P.B.T. UL 94V-0 RATED  
SHELL: SPCC - SB  
CONTACT: BRASS  
CONTACT PLATING: Au

NOTE : SOME SIZES, STYLES AND OPTION ARE NON-STANDARD, NON-CANCELLABLE, NON-RETURNABLE

[www.mmtmachrone.com](http://www.mmtmachrone.com)

USA TEL : 1-510-979-2188  
FAX : 1-510-979-2189

TAIWAN TEL : 886-2-2755-3193  
FAX : 886-2-2784-5109

SINGAPORE TEL : 65-6274-0566  
FAX : 65-6274-7891