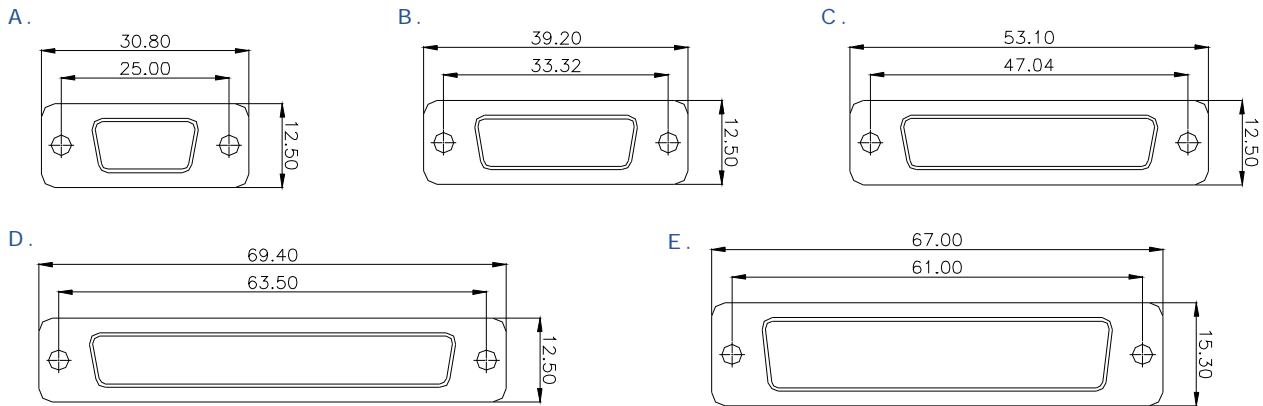


MMI

**COMBO D-SUB
(RIGHT ANGLE TYPE)**

COMBINATION D- SUB SERIES - SHELL SIZE



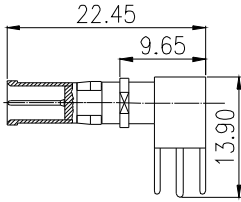
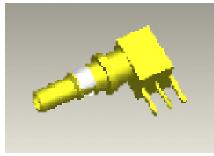
COMBINATION D- SUB SERIES - CONTACT ARRANGEMENTS

TYPE							
CONTACT ARRANGEMENT	2W2	5W1	3W3	7W2	11W1	5W5	9W4
SHELL SIZE	A	A	B	B	B	C	C
NO. of SIGNAL CONTACTS	0	4	0	5	10	0	5
NO. of COAXIAL CONTACTS	2	1	3	2	1	5	4
TYPE							
CONTACT ARRANGEMENT	13W3	17W2	21W1	8W8			
SHELL SIZE	C	C	C	D			
NO. of SIGNAL CONTACTS	10	15	20	0			
NO. of COAXIAL CONTACTS	3	2	1	8			
TYPE							
CONTACT ARRANGEMENT	13W6	17W5	21W4				
SHELL SIZE	D	D	D				
NO. of SIGNAL CONTACTS	7	12	17				
NO. of COAXIAL CONTACTS	6	5	4				
TYPE							
CONTACT ARRANGEMENT	25W3	27W2	24W7				
SHELL SIZE	D	D	E				
NO. of SIGNAL CONTACTS	22	25	17				
NO. of COAXIAL CONTACTS	3	2	7				
TYPE							
CONTACT ARRANGEMENT	36W4	43W2	47W1				
SHELL SIZE	E	E	E				
NO. of SIGNAL CONTACTS	36	41	46				
NO. of COAXIAL CONTACTS	4	2	1				

NOTE : SOME SIZES, STYLES AND OPTION ARE NON-STANDARD, NON-CANCELLABLE, NON-RETURNABLE

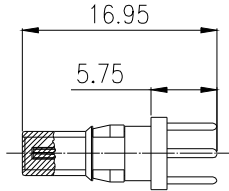
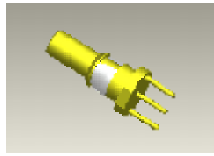
COAXIAL CONTACT FOR COMBINATION D- SUB

RIGHT ANGLE



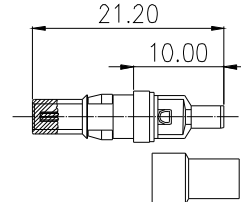
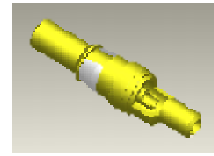
PLUG CONTACT:
IMPEDANCE: 50 OHM / 75 OHMS

STRAIGHT DIP

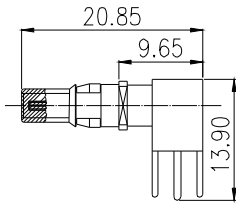
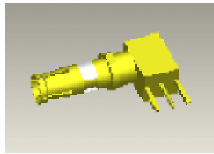


PLUG CONTACT:
IMPEDANCE: 50 OHM / 75 OHMS

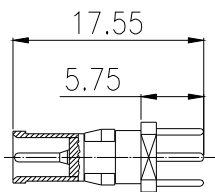
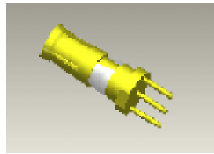
SOLDER CUP



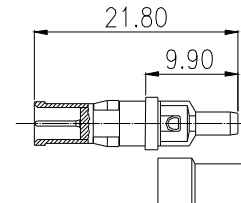
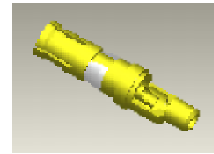
PLUG CONTACT:
IMPEDANCE: 50 OHM / 75 OHMS



RECEPTACLE CONTACT:
IMPEDANCE: 50 OHM / 75 OHMS



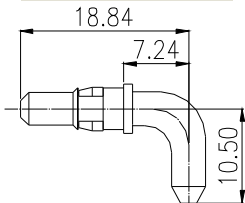
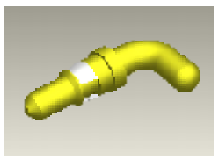
RECEPTACLE CONTACT:
IMPEDANCE: 50 OHM / 75 OHMS



RECEPTACLE CONTACT:
IMPEDANCE: 50 OHM / 75 OHMS

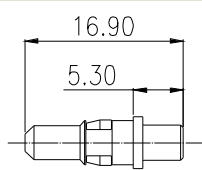
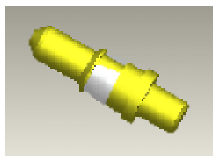
HIGH POWER CONTACT FOR COMBINATION D- SUB

RIGHT ANGLE



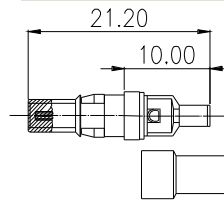
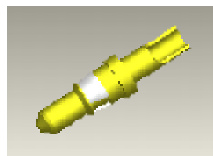
PLUG CONTACT:
CURRENT RATING: 20A / 40 A

STRAIGHT DIP



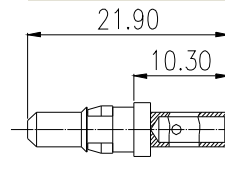
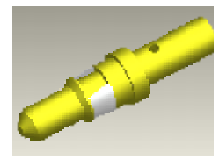
PLUG CONTACT:
CURRENT RATING: 20A / 40 A

SOLDER CUP

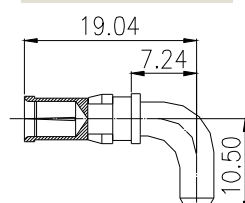
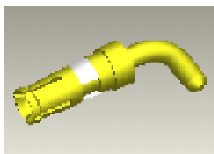


PLUG CONTACT:
CURRENT RATING: 20A / 40 A

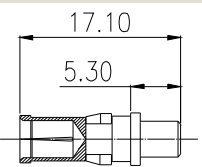
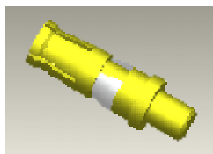
CRIMP TYPE



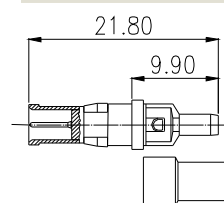
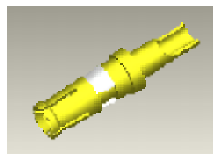
PLUG CONTACT:
CURRENT RATING: 20A / 40 A



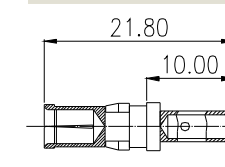
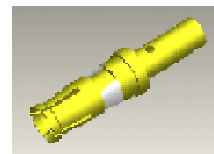
RECEPTACLE CONTACT:
CURRENT RATING: 20A / 40A



RECEPTACLE CONTACT:
CURRENT RATING: 20A / 40A



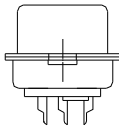
RECEPTACLE CONTACT:
CURRENT RATING: 20A / 40A



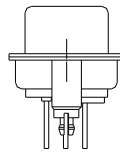
RECEPTACLE CONTACT:
CURRENT RATING: 20A / 40A

NOTE : SOME SIZES, STYLES AND OPTION ARE NON-STANDARD, NON-CANCELLABLE, NON-RETURNABLE

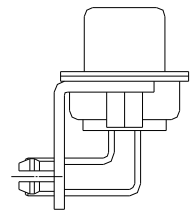
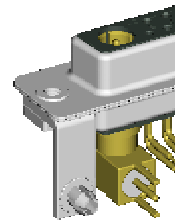
COMBO D-SUB MOUNTING OPTIONS



H TYPE
WITH MOUNTING HOLE ONLY

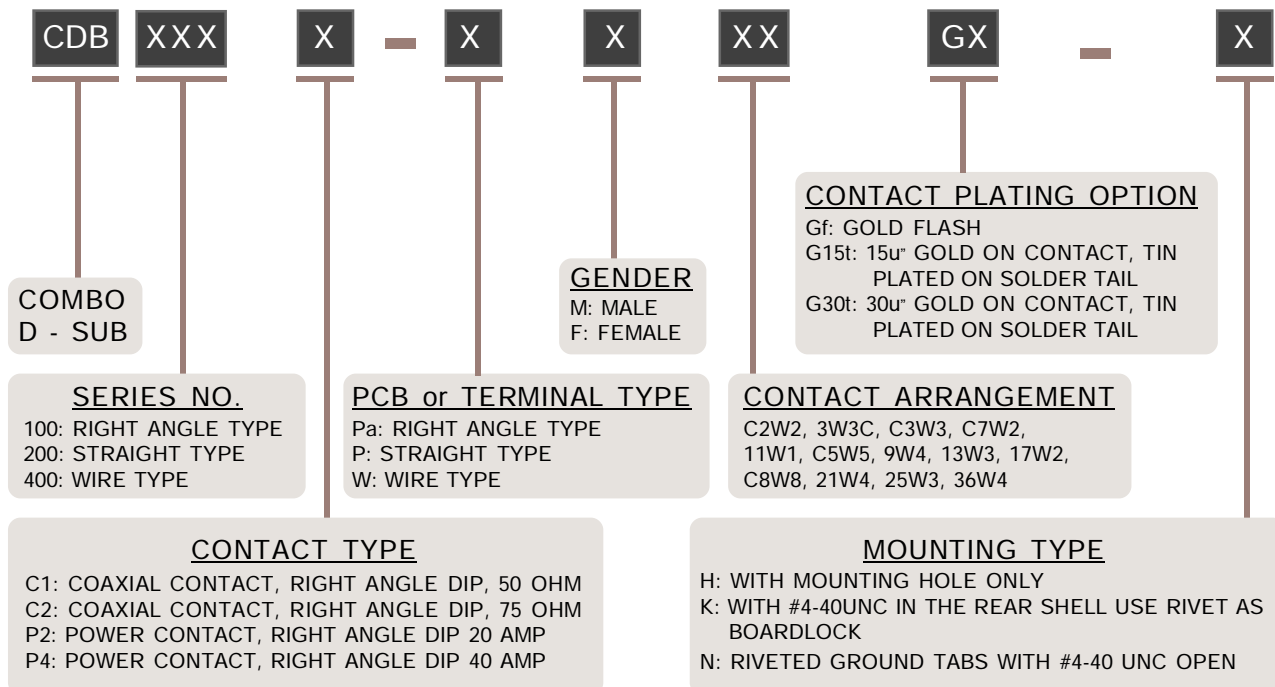


K TYPE
WITH #4-40UNC IN THE REAR SHELL
USE RIVET AS BOARDLOCK



N TYPE
WITH #4-40UNC IN THE REAR SHELL
USE RIVET AS BOARDLOCK

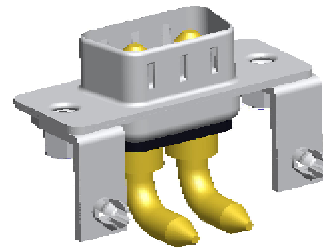
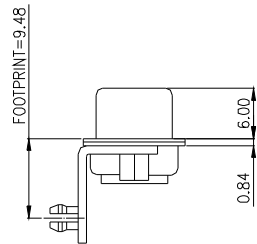
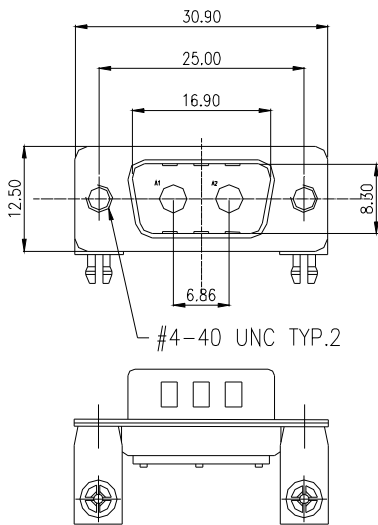
COMBO D-SUB PART NO. INFORMATION



NOTE : SOME SIZES, STYLES AND OPTION ARE NON-STANDARD, NON-CANCELLABLE, NON-RETURNABLE

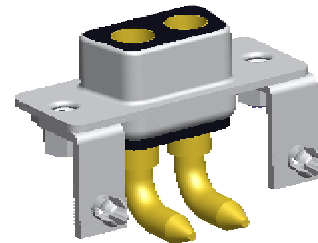
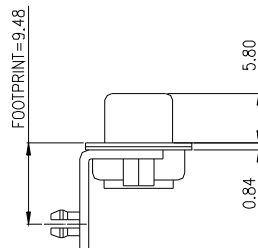
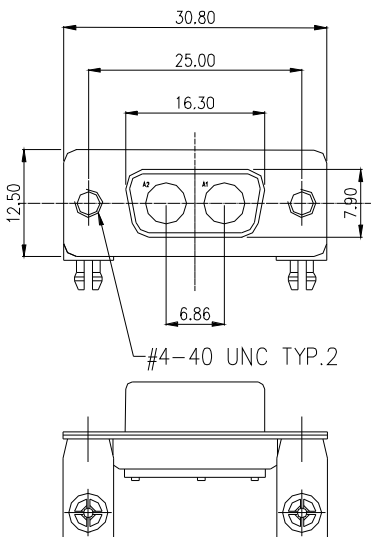
CDB 100 SERIES - C2W2 MOUNTING TYPE N RIGHT ANGLE TYPE - Pa

MALE



POWER CONTACT		COAXIAL CONTACT
CDB100P2-PaMC2W2GX	CDB100P4-PaMC2W2GX	50Ω : CDB100C1-PaMC2W2GX 75Ω : CDB100C2-PaMC2W2GX
20 AMP	40 AMP	50Ω/75Ω
18.84, 7.24, 2.85, 10.50	18.84, 7.24, 3.75, 10.50	20.85, 9.65, 13.90

FEMALE



POWER CONTACT		COAXIAL CONTACT
CDB100P2-PaFC2W2GX	CDB100P4-PaFC2W2GX	50Ω : CDB100C1-PaFC2W2GX 75Ω : CDB100C2-PaFC2W2GX
20 AMP	40 AMP	50Ω/75Ω
19.04, 7.24, 2.85, 10.50	19.04, 7.24, 3.75, 10.50	22.45, 9.65, 13.90

CDB	100	X	- Pa	X	C2W2	GX	- N
COMBO D-SUB	SERIES NO. 100: RIGHT ANGLE TYPE	PCB TYPE Pa: RIGHT ANGLE TYPE	GENDER M: MALE F: FEMALE	CONTACT ARRANGEMENT C2W2 TYPE	CONTACT PLATING OPTION Gf: GOLD FLASH G15t: 15u" GOLD ON CONTACT, TIN PLATED ON SOLDER TAIL G30t: 30u" GOLD ON CONTACT, TIN PLATED ON SOLDER TAIL	MOUNTING TYPE N: RIVETED GROUND TABS WITH # 4-40 UNC OPEN	
	CONTACT TYPE C1: COAXIAL CONTACT, WIRE TYPE, 50 OHM C2: COAXIAL CONTACT, WIRE TYPE, 75 OHM P2: POWER CONTACT, WIRE TYPE, 20 AMP P4: POWER CONTACT, WIRE TYPE, 40AMP						

ELECTRICAL CHARACTERISTIC

CONTACT CURRENT RATING: 3 AMP
CONTACT RESISTANCE: 10M OHM MAX.
INSULATION RESISTANCE: 5000 OHM MIN
DIELECTRIC WITHSTANDING VOLTAGE: 1000VAC
OPERATING TEMPERATURE:-55°C- +125°C

MATERIALS

INSULATOR: P.B.T. UL 94V-0 RATED
SHELL: SPCC - SB
CONTACT: BRASS
CONTACT PLATING: Au

NOTE : SOME SIZES, STYLES AND OPTION ARE NON-STANDARD, NON-CANCELLABLE, NON-RETURNABLE

www.mmtmachrone.com

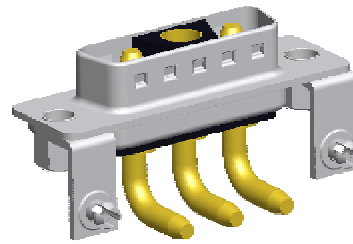
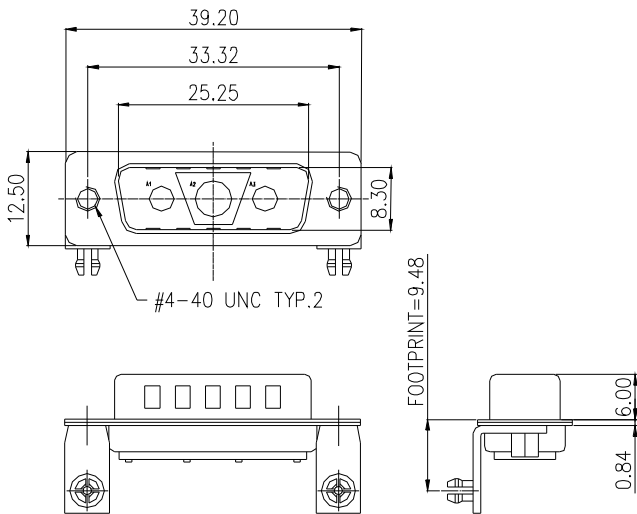
USA TEL : 1-510-979-2188
FAX : 1-510-979-2189

TAIWAN TEL : 886-2-2755-3193
FAX : 886-2-2784-5109

SINGAPORE TEL : 65-6274-0566
FAX : 65-6274-7891

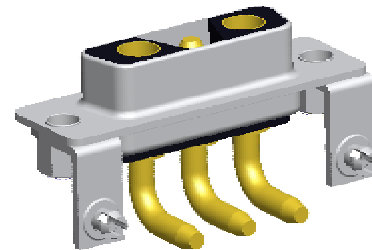
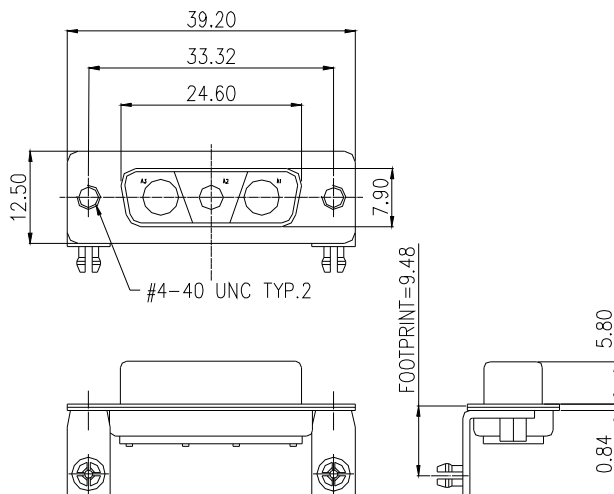
CDB 100 SERIES - 3W3C MOUNTING TYPE N RIGHT ANGLE TYPE - Pa

MALE



POWER CONTACT		COAXIAL CONTACT
CDB100P2-PaM3W3CGX	CDB100P4-PaM3W3CGX	50Ω : CDB100C1-PaM3W3CGX 75Ω : CDB100C2-PaM3W3CGX
20 AMP	40 AMP	500/75Ω
18.84 7.24 10.50 2.85	18.84 7.24 10.50 3.75	20.85 9.65 13.90
POWER CONTACT RIGHT ANGLE DIP	POWER CONTACT RIGHT ANGLE DIP	COAXIAL CONTACT RIGHT ANGLE DIP

FEMALE



POWER CONTACT		COAXIAL CONTACT
CDB100P2-PaF3W3CGX	CDB100P4-PaF3W3CGX	50Ω : CDB100C1-PaF3W3CGX 75Ω : CDB100C2-PaF3W3CGX
20 AMP	40 AMP	500/75Ω
19.04 7.24 10.50 2.85	19.04 7.24 10.50 3.75	22.45 9.65 13.90
POWER CONTACT RIGHT ANGLE DIP	POWER CONTACT RIGHT ANGLE DIP	COAXIAL CONTACT RIGHT ANGLE DIP

CDB	100	X	- Pa	X	3W3C	GX	- N
COMBO D-SUB	SERIES NO. 100: RIGHT ANGLE TYPE	PCB TYPE Pa: RIGHT ANGLE TYPE	GENDER M: MALE F: FEMALE	CONTACT ARRANGEMENT 3W3C TYPE	CONTACT PLATING OPTION Gf: GOLD FLASH G15t: 15u" GOLD ON CONTACT, TIN PLATED ON SOLDER TAIL G30t: 30u" GOLD ON CONTACT, TIN PLATED ON SOLDER TAIL	MOUNTING TYPE N: RIVTED GROUND TABS WITH # 4-40 UNC OPEN	
CONTACT TYPE C1: COAXIAL CONTACT, WIRE TYPE, 50 OHM C2: COAXIAL CONTACT, WIRE TYPE, 75 OHM P2: POWER CONTACT, WIRE TYPE, 20 AMP P4: POWER CONTACT, WIRE TYPE, 40AMP							

ELECTRICAL CHARACTERISTIC

CONTACT CURRENT RATING: 3 AMP
CONTACT RESISTANCE: 10M OHM MAX.
INSULATION RESISTANCE: 5000 OHM MIN
DIELECTRIC WITHSTANDING VOLTAGE: 1000VAC
OPERATING TEMPERATURE:-55°C- +125°C

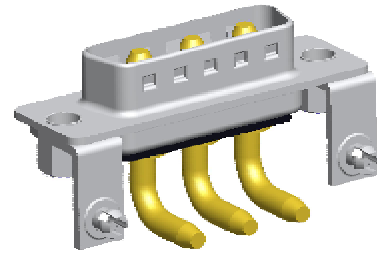
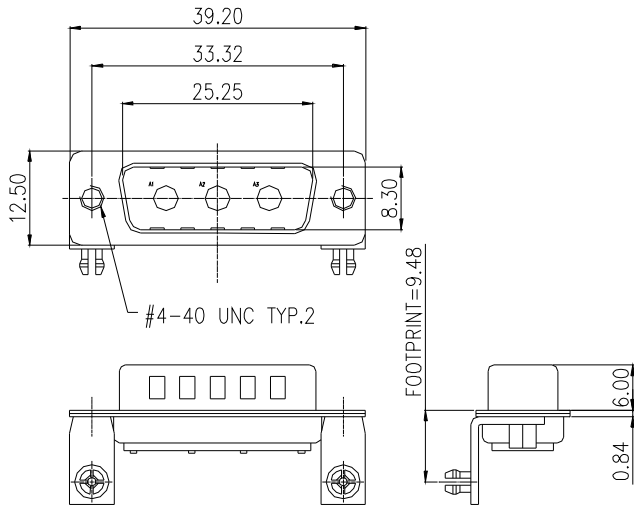
MATERIALS

INSULATOR: P.B.T. UL 94V-0 RATED
SHELL: SPCC - SB
CONTACT: BRASS
CONTACT PLATING: Au

NOTE : SOME SIZES, STYLES AND OPTION ARE NON-STANDARD, NON-CANCELLABLE, NON-RETURNABLE

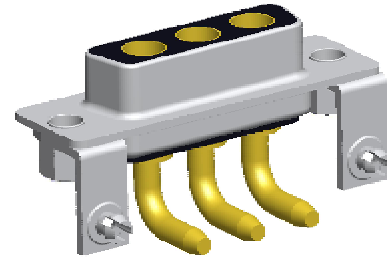
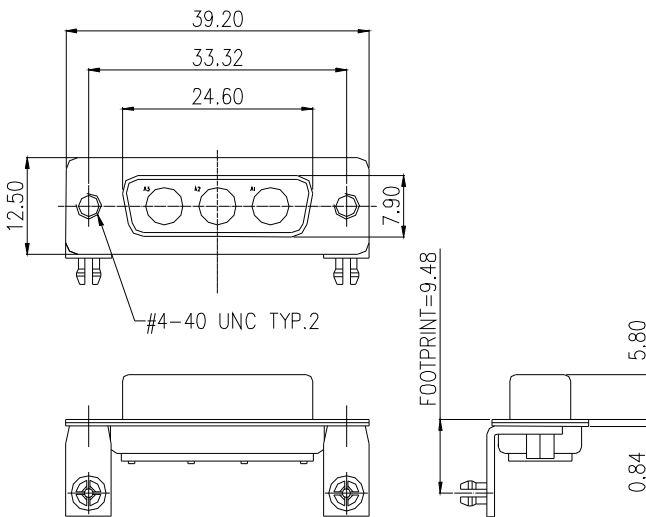
CDB 100 SERIES - C3W3 MOUNTING TYPE N RIGHT ANGLE TYPE - Pa

MALE



POWER CONTACT		COAXIAL CONTACT
CDB100P2-PaMC3W3GX	CDB100P4-PaMC3W3GX	50Ω : CDB100C1-PaMC3W3GX 75Ω : CDB100C2-PaMC3W3GX
20 AMP	40 AMP	500/75Ω
POWER CONTACT RIGHT ANGLE DIP	POWER CONTACT RIGHT ANGLE DIP	COAXIAL CONTACT RIGHT ANGLE DIP

FEMALE



POWER CONTACT		COAXIAL CONTACT
CDB100P2-PaFC3W3GX	CDB100P4-PaFC3W3GX	50Ω : CDB100C1-PaFC3W3GX 75Ω : CDB100C2-PaFC3W3GX
20 AMP	40 AMP	500/75Ω
POWER CONTACT RIGHT ANGLE DIP	POWER CONTACT RIGHT ANGLE DIP	COAXIAL CONTACT RIGHT ANGLE DIP

CDB	100	X	- Pa	X	C3W3	GX	- N
COMBO D-SUB	SERIES NO. 100: RIGHT ANGLE TYPE		PCB TYPE Pa: RIGHT ANGLE TYPE	GENDER M: MALE F: FEMALE	CONTACT ARRANGEMENT C3W3 TYPE		MOUNTING TYPE N: RIVTED GROUND TABS WITH # 4-40 UNC OPEN
	CONTACT TYPE C1: COAXIAL CONTACT, WIRE TYPE, 50 OHM C2: COAXIAL CONTACT, WIRE TYPE, 75 OHM P2: POWER CONTACT, WIRE TYPE, 20 AMP P4: POWER CONTACT, WIRE TYPE, 40AMP				CONTACT PLATING OPTION Gf: GOLD FLASH G15t: 15u" GOLD ON CONTACT, TIN PLATED ON SOLDER TAIL G30t: 30u" GOLD ON CONTACT, TIN PLATED ON SOLDER TAIL		

ELECTRICAL CHARACTERISTIC

CONTACT CURRENT RATING: 3 AMP
CONTACT RESISTANCE: 10M OHM MAX.
INSULATION RESISTANCE: 5000 OHM MIN
DIELECTRIC WITHSTANDING VOLTAGE: 1000VAC
OPERATING TEMPERATURE:-55°C- +125°C

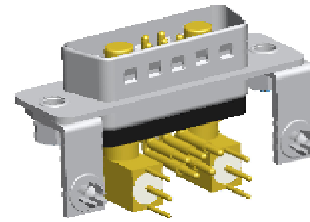
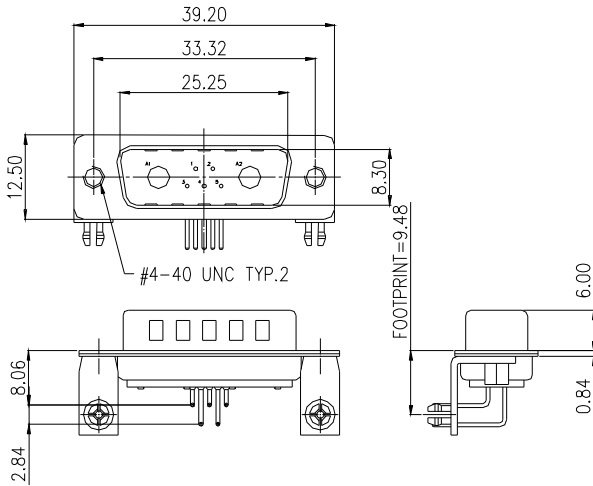
MATERIALS

INSULATOR: P.B.T. UL 94V-0 RATED
SHELL: SPCC - SB
CONTACT: BRASS
CONTACT PLATING: Au

NOTE : SOME SIZES, STYLES AND OPTION ARE NON-STANDARD, NON-CANCELLABLE, NON-RETURNABLE

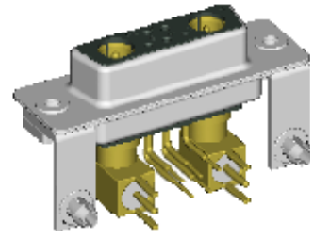
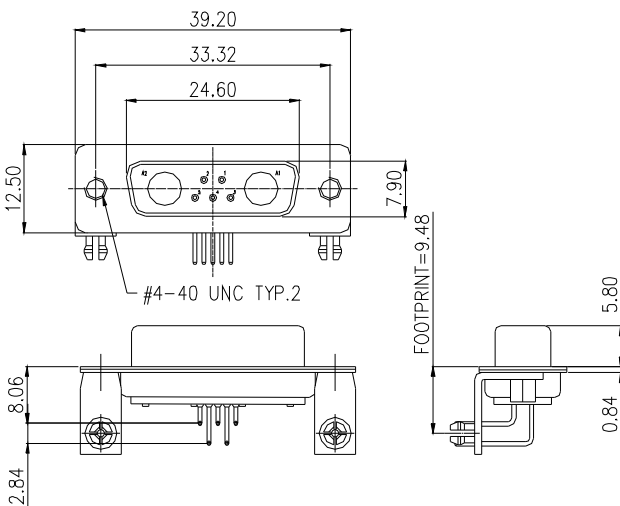
CDB 100 SERIES - C7W2 MOUNTING TYPE N RIGHT ANGLE TYPE - Pa

MALE



POWER CONTACT		COAXIAL CONTACT
CDB100P2-PoMC7W2GX	CDB100P4-PoMC7W2GX	50Ω : CDB100C1-PoMC7W2GX 75Ω : CDB100C2-PoMC7W2GX
20 AMP	40 AMP	50Ω/75Ω
18.84, 7.24, 10.50, 2.85	18.84, 7.24, 10.50, 3.75	20.85, 9.65, 13.90

FEMALE



POWER CONTACT		COAXIAL CONTACT
CDB100P2-PoFC7W2GX	CDB100P4-PoFC7W2GX	50Ω : CDB100C1-PoFC7W2GX 75Ω : CDB100C2-PoFC7W2GX
20 AMP	40 AMP	50Ω/75Ω
19.04, 7.24, 10.50, 2.85	19.04, 7.24, 10.50, 3.75	22.45, 9.65, 13.90

CDB	100	X	- Pa	X	C7W2	GX	- N
COMBO D-SUB	SERIES NO. 100: RIGHT ANGLE TYPE	PCB TYPE Pa: RIGHT ANGLE TYPE	GENDER M: MALE F: FEMALE	CONTACT ARRANGEMENT C7W2 TYPE	CONTACT PLATING OPTION Gf: GOLD FLASH G15t: 15μ" GOLD ON CONTACT, TIN PLATED ON SOLDER TAIL G30t: 30μ" GOLD ON CONTACT, TIN PLATED ON SOLDER TAIL	MOUNTING TYPE N: RIVTED GROUND TABS WITH # 4-40 UNC OPEN	
CONTACT TYPE C1: COAXIAL CONTACT, WIRE TYPE, 50 OHM C2: COAXIAL CONTACT, WIRE TYPE, 75 OHM P2: POWER CONTACT, WIRE TYPE, 20 AMP P4: POWER CONTACT, WIRE TYPE, 40AMP							

ELECTRICAL CHARACTERISTIC

CONTACT CURRENT RATING: 3 AMP
CONTACT RESISTANCE: 10M OHM MAX.
INSULATION RESISTANCE: 5000 OHM MIN
DIELECTRIC WITHSTANDING VOLTAGE: 1000VAC
OPERATING TEMPERATURE: -55°C - +125°C

MATERIALS

INSULATOR: P.B.T. UL 94V-0 RATED
SHELL: SPCC - SB
CONTACT: BRASS
CONTACT PLATING: Au

NOTE : SOME SIZES, STYLES AND OPTION ARE NON-STANDARD, NON-CANCELLABLE, NON-RETURNABLE

www.mmtmachrone.com

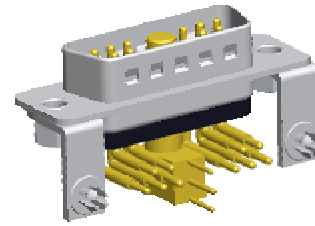
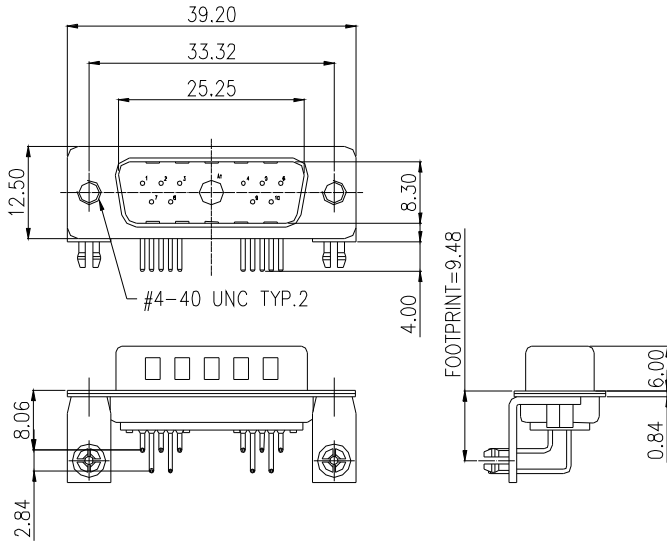
USA TEL : 1-510-979-2188
FAX : 1-510-979-2189

TAIWAN TEL : 886-2-2755-3193
FAX : 886-2-2784-5109

SINGAPORE TEL : 65-6274-0566
FAX : 65-6274-7891

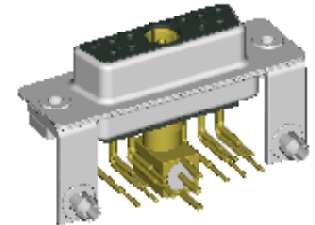
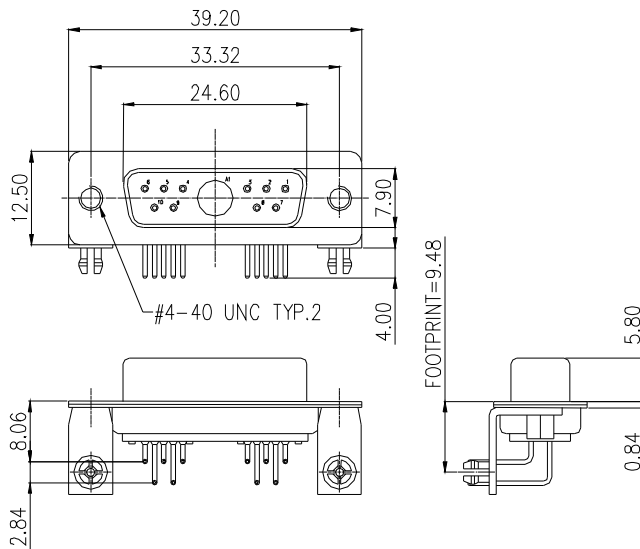
CDB 100 SERIES - 11W1 MOUNTING TYPE N RIGHT ANGLE TYPE - Pa

MALE



POWER CONTACT		COAXIAL CONTACT
CDB100P2-PaM11W1GX	CDB100P4-PaM11W1GX	50Ω : CDB100C1-PaM11W1GX 75Ω : CDB100C2-PaM11W1GX
<p>18.84 20 AMP 7.24 2.85 10.50</p>	<p>18.84 40 AMP 7.24 3.75 10.50</p>	<p>20.85 50Ω/75Ω 9.65 13.90</p>
POWER CONTACT RIGHT ANGLE DIP	POWER CONTACT RIGHT ANGLE DIP	COAXIAL CONTACT RIGHT ANGLE DIP

FEMALE



POWER CONTACT		COAXIAL CONTACT
CDB100P2-PaF11W1GX	CDB100P4-PaF11W1GX	50Ω : CDB100C1-PaF11W1GX 75Ω : CDB100C2-PaF11W1GX
<p>19.04 20 AMP 7.24 2.85 10.50</p>	<p>19.04 40 AMP 7.24 3.75 10.50</p>	<p>22.45 50Ω/75Ω 9.65 13.90</p>
POWER CONTACT RIGHT ANGLE DIP	POWER CONTACT RIGHT ANGLE DIP	COAXIAL CONTACT RIGHT ANGLE DIP

CDB	100	X	- Pa	X	11W1	GX	- N
COMBO D-SUB	SERIES NO. 100: RIGHT ANGLE TYPE		PCB TYPE Pa: RIGHT ANGLE TYPE	GENDER M: MALE F: FEMALE	CONTACT ARRANGEMENT 11W1 TYPE		MOUNTING TYPE N: RIVTED GROUND TABS WITH # 4-40 UNC OPEN
CONTACT TYPE C1: COAXIAL CONTACT, WIRE TYPE, 50 OHM C2: COAXIAL CONTACT, WIRE TYPE, 75 OHM P2: POWER CONTACT, WIRE TYPE, 20 AMP P4: POWER CONTACT, WIRE TYPE, 40AMP				CONTACT PLATING OPTION Gf: GOLD FLASH G15t: 15u" GOLD ON CONTACT, TIN PLATED ON SOLDER TAIL G30t: 30u" GOLD ON CONTACT, TIN PLATED ON SOLDER TAIL			

ELECTRICAL CHARACTERISTIC

CONTACT CURRENT RATING: 3 AMP
CONTACT RESISTANCE: 10M OHM MAX.
INSULATION RESISTANCE: 5000 OHM MIN
DIELECTRIC WITHSTANDING VOLTAGE: 1000VAC
OPERATING TEMPERATURE:-55°C- +125°C

MATERIALS

INSULATOR: P.B.T. UL 94V-0 RATED
SHELL: SPCC - SB
CONTACT: BRASS
CONTACT PLATING: Au

NOTE : SOME SIZES, STYLES AND OPTION ARE NON-STANDARD, NON-CANCELLABLE, NON-RETURNABLE

www.mmtmachrone.com

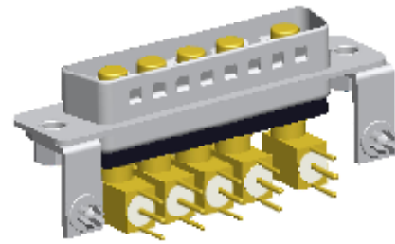
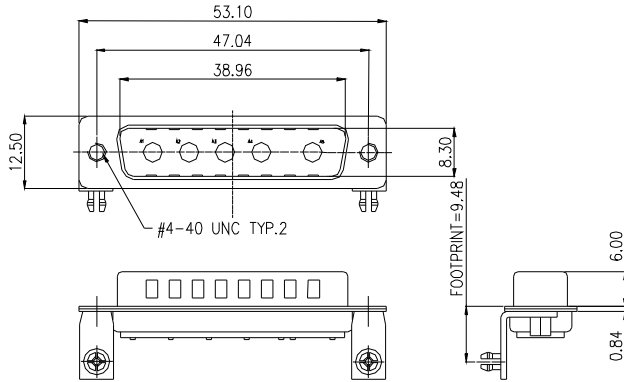
USA TEL : 1-510-979-2188
FAX : 1-510-979-2189

TAIWAN TEL : 886-2-2755-3193
FAX : 886-2-2784-5109

SINGAPORE TEL : 65-6274-0566
FAX : 65-6274-7891

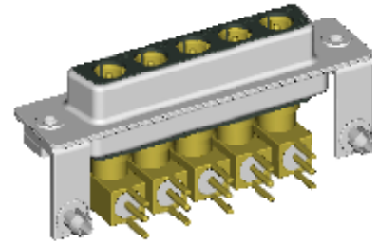
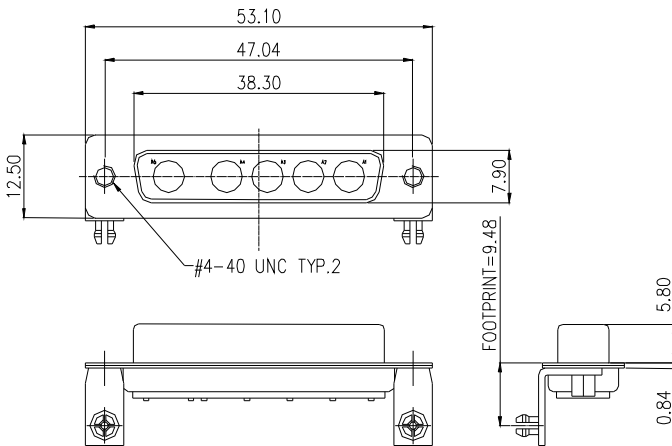
CDB 100 SERIES - C5W5 MOUNTING TYPE N RIGHT ANGLE TYPE - Pa

MALE



POWER CONTACT		COAXIAL CONTACT
CDB100P2-PaMC5W5GX	CDB100P4-PaMC5W5GX	500 : CDB100C1-PaMC5W5GX 750 : CDB100C2-PaMC5W5GX
18.84 20 AMP 7.24 2.85 10.50	18.84 40 AMP 7.24 3.75 10.50	20.85 500/750 9.65 13.90
POWER CONTACT RIGHT ANGLE DIP	POWER CONTACT RIGHT ANGLE DIP	COAXIAL CONTACT RIGHT ANGLE DIP

FEMALE



POWER CONTACT		COAXIAL CONTACT
CDB100P2-PaFC5W5GX	CDB100P4-PaFC5W5GX	500 : CDB100C1-PaFC5W5GX 750 : CDB100C2-PaFC5W5GX
19.04 20 AMP 7.24 2.85 10.50	19.04 40 AMP 7.24 3.75 10.50	22.45 500/750 9.65 13.90
POWER CONTACT RIGHT ANGLE DIP	POWER CONTACT RIGHT ANGLE DIP	COAXIAL CONTACT RIGHT ANGLE DIP

CDB	100	X	- Pa	X	C5W5	GX	- N
COMBO D-SUB	SERIES NO. 100: RIGHT ANGLE TYPE	PCB TYPE Pa: RIGHT ANGLE TYPE	GENDER M: MALE F: FEMALE	CONTACT ARRANGEMENT C5W5 TYPE	CONTACT PLATING OPTION Gf: GOLD FLASH G15t: 15u" GOLD ON CONTACT, TIN PLATED ON SOLDER TAIL G30t: 30u" GOLD ON CONTACT, TIN PLATED ON SOLDER TAIL	MOUNTING TYPE N: RIVTED GROUND TABS WITH # 4-40 UNC OPEN	
CONTACT TYPE C1: COAXIAL CONTACT, WIRE TYPE, 50 OHM C2: COAXIAL CONTACT, WIRE TYPE, 75 OHM P2: POWER CONTACT, WIRE TYPE, 20 AMP P4: POWER CONTACT, WIRE TYPE, 40AMP							

ELECTRICAL CHARACTERISTIC

CONTACT CURRENT RATING: 3 AMP
CONTACT RESISTANCE: 10M OHM MAX.
INSULATION RESISTANCE: 5000 OHM MIN
DIELECTRIC WITHSTANDING VOLTAGE: 1000VAC
OPERATING TEMPERATURE:-55°C- +125°C

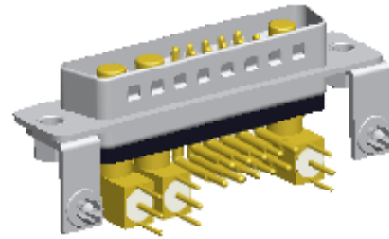
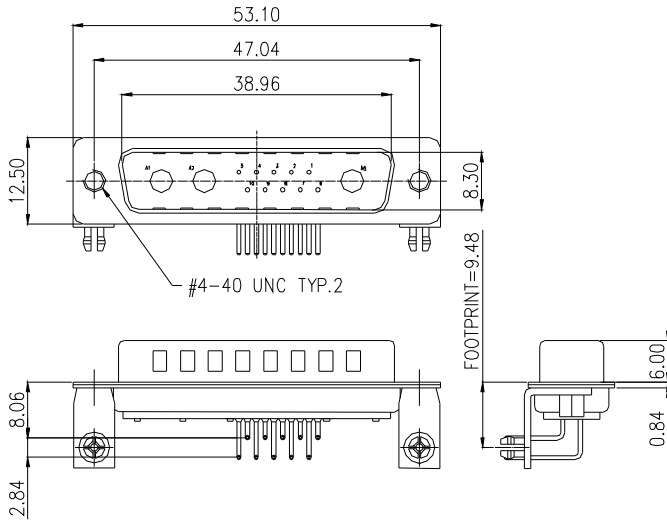
MATERIALS

INSULATOR: P.B.T. UL 94V-0 RATED
SHELL: SPCC - SB
CONTACT: BRASS
CONTACT PLATING: Au

NOTE : SOME SIZES, STYLES AND OPTION ARE NON-STANDARD, NON-CANCELLABLE, NON-RETURNABLE

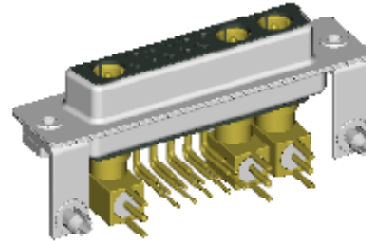
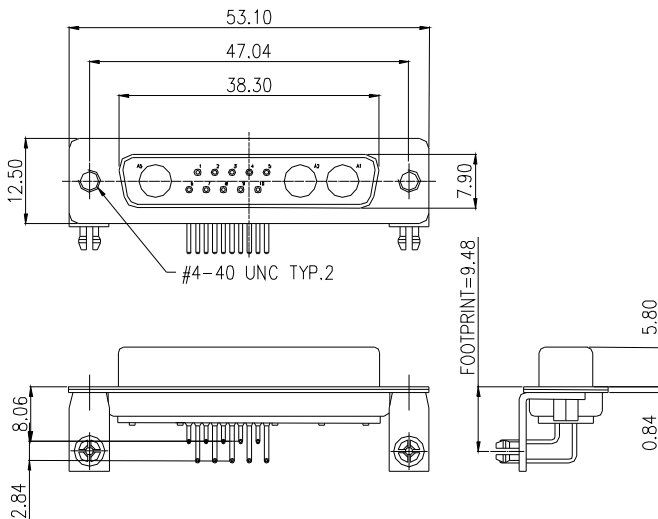
CDB 100 SERIES - 13W3 MOUNTING TYPE N RIGHT ANGLE TYPE - Pa

MALE



POWER CONTACT		COAXIAL CONTACT
CDB100P2-PaF13W3GX	CDB100P4-PaF13W3GX	50Ω : CDB100C1-PaF13W3GX 75Ω : CDB100C2-PaF13W3GX
19.04 20 AMP	19.04 40 AMP	22.45 500/750
POWER CONTACT RIGHT ANGLE DIP	POWER CONTACT RIGHT ANGLE DIP	COAXIAL CONTACT RIGHT ANGLE DIP
2.85	3.75	9.65
10.50	10.50	13.90

FEMALE



POWER CONTACT		COAXIAL CONTACT
CDB100P2-PaM13W3GX	CDB100P4-PaM13W3GX	50Ω : CDB100C1-PaM13W3GX 75Ω : CDB100C2-PaM13W3GX
18.84 20 AMP	18.84 40 AMP	20.85 500/750
POWER CONTACT RIGHT ANGLE DIP	POWER CONTACT RIGHT ANGLE DIP	COAXIAL CONTACT RIGHT ANGLE DIP
2.85	3.75	9.65
10.50	10.50	13.90

CDB	100	X	- Pa	X	13W3	GX	- N
COMBO D-SUB	SERIES NO. 100: RIGHT ANGLE TYPE		PCB TYPE Pa: RIGHT ANGLE TYPE	GENDER M: MALE F: FEMALE	CONTACT ARRANGEMENT 13W3 TYPE		MOUNTING TYPE N: RIVTED GROUND TABS WITH # 4-40 UNC OPEN
	CONTACT TYPE C1: COAXIAL CONTACT, WIRE TYPE, 50 OHM C2: COAXIAL CONTACT, WIRE TYPE, 75 OHM P2: POWER CONTACT, WIRE TYPE, 20 AMP P4: POWER CONTACT, WIRE TYPE, 40AMP				CONTACT PLATING OPTION Gf: GOLD FLASH G15t: 15u" GOLD ON CONTACT, TIN PLATED ON SOLDER TAIL G30t: 30u" GOLD ON CONTACT, TIN PLATED ON SOLDER TAIL		

ELECTRICAL CHARACTERISTIC

CONTACT CURRENT RATING: 3 AMP
CONTACT RESISTANCE: 10M OHM MAX.
INSULATION RESISTANCE: 5000 OHM MIN
DIELECTRIC WITHSTANDING VOLTAGE: 1000VAC
OPERATING TEMPERATURE:-55°C- +125°C

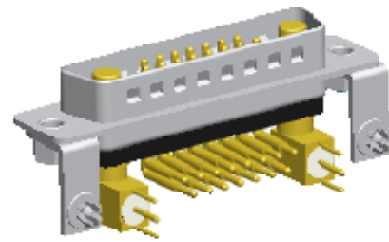
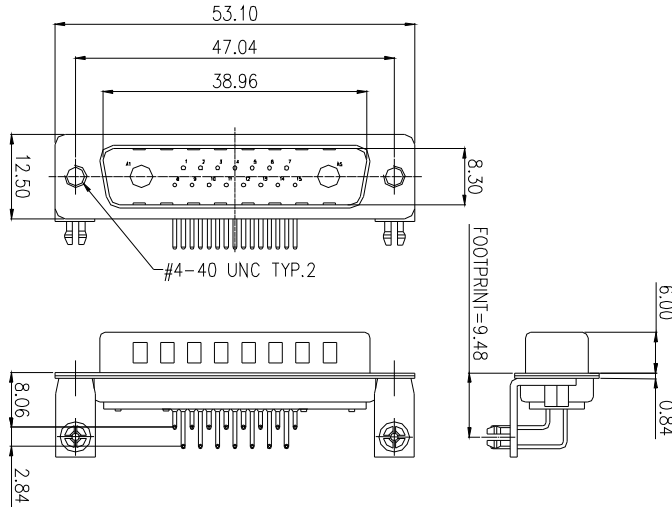
MATERIALS

INSULATOR: P.B.T. UL 94V-0 RATED
SHELL: SPCC - SB
CONTACT: BRASS
CONTACT PLATING: Au

NOTE : SOME SIZES, STYLES AND OPTION ARE NON-STANDARD, NON-CANCELLABLE, NON-RETURNABLE

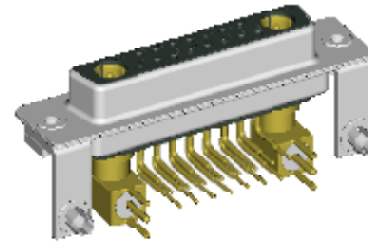
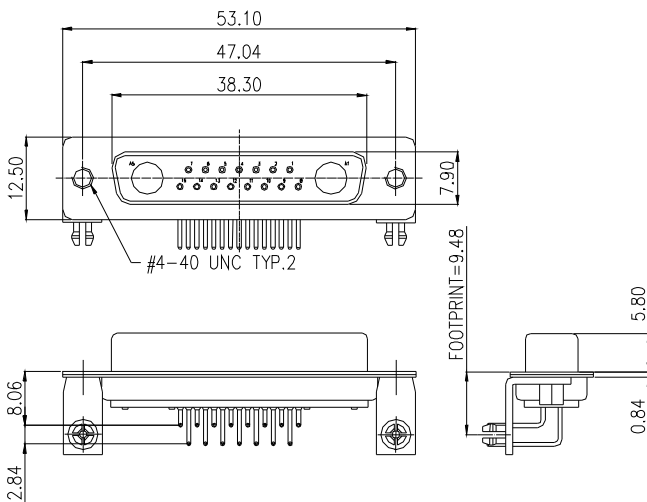
CDB 100 SERIES - 17W2 MOUNTING TYPE N RIGHT ANGLE TYPE - Pa

MALE



POWER CONTACT		COAXIAL CONTACT
CDB100P2-PoM17W2GX	CDB100P4-PoM17W2GX	50Ω : CDB100C1-PoM17W2GX 75Ω : CDB100C2-PoM17W2GX
18.84 20 AMP	18.84 40 AMP	20.85 500/750
POWER CONTACT RIGHT ANGLE DIP	POWER CONTACT RIGHT ANGLE DIP	COAXIAL CONTACT RIGHT ANGLE DIP

FEMALE



POWER CONTACT		COAXIAL CONTACT
CDB100P2-PoF17W2GX	CDB100P4-PoF17W2GX	50Ω : CDB100C1-PoF17W2GX 75Ω : CDB100C2-PoF17W2GX
19.04 20 AMP	19.04 40 AMP	22.45 500/750
POWER CONTACT RIGHT ANGLE DIP	POWER CONTACT RIGHT ANGLE DIP	COAXIAL CONTACT RIGHT ANGLE DIP

CDB	100	X	- Pa	X	17W2	GX	- N
COMBO D-SUB	SERIES NO. 100: RIGHT ANGLE TYPE		PCB TYPE Pa: RIGHT ANGLE TYPE	GENDER M: MALE F: FEMALE	CONTACT ARRANGEMENT 17W2 TYPE		MOUNTING TYPE N: RIVTED GROUND TABS WITH # 4-40 UNC OPEN
	CONTACT TYPE C1: COAXIAL CONTACT, WIRE TYPE, 50 OHM C2: COAXIAL CONTACT, WIRE TYPE, 75 OHM P2: POWER CONTACT, WIRE TYPE, 20 AMP P4: POWER CONTACT, WIRE TYPE, 40AMP				CONTACT PLATING OPTION Gf: GOLD FLASH G15t: 15u" GOLD ON CONTACT, TIN PLATED ON SOLDER TAIL G30t: 30u" GOLD ON CONTACT, TIN PLATED ON SOLDER TAIL		

ELECTRICAL CHARACTERISTIC

CONTACT CURRENT RATING: 3 AMP
 CONTACT RESISTANCE: 10M OHM MAX.
 INSULATION RESISTANCE: 5000 OHM MIN
 DIELECTRIC WITHSTANDING VOLTAGE: 1000VAC
 OPERATING TEMPERATURE:-55°C- +125°C

MATERIALS

INSULATOR: P.B.T. UL 94V-0 RATED
 SHELL: SPCC - SB
 CONTACT: BRASS
 CONTACT PLATING: Au

NOTE : SOME SIZES, STYLES AND OPTION ARE NON-STANDARD, NON-CANCELLABLE, NON-RETURNABLE

www.mmtmachrone.com

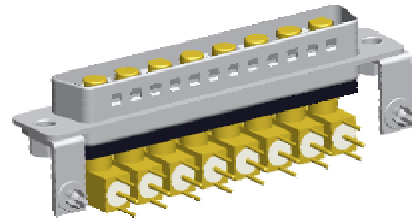
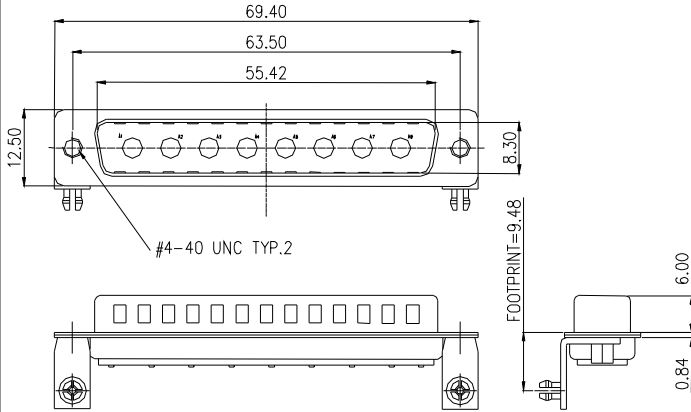
USA TEL : 1-510-979-2188
 FAX : 1-510-979-2189

TAIWAN TEL : 886-2-2755-3193
 FAX : 886-2-2784-5109

SINGAPORE TEL : 65-6274-0566
 FAX : 65-6274-7891

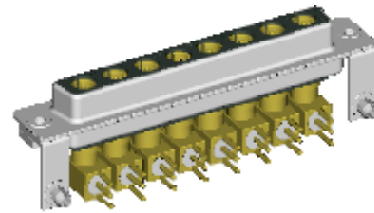
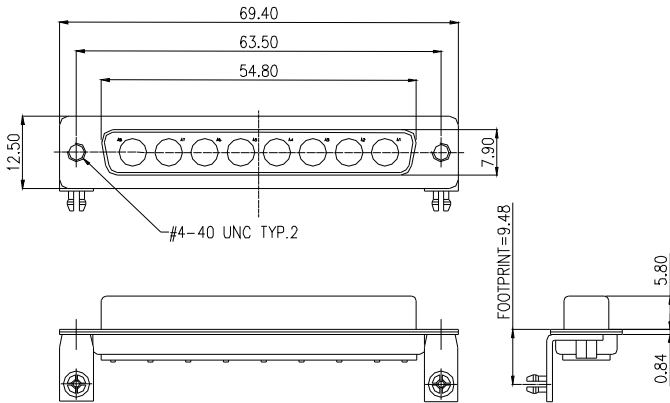
CDB 100 SERIES - C8W8 MOUNTING TYPE N RIGHT ANGLE TYPE - Pa

MALE



POWER CONTACT		COAXIAL CONTACT
CDB100P2-PaMC8W8GX	CDB100P4-PaMC8W8GX	50Ω : CDB100C1-PaMC8W8GX 75Ω : CDB100C2-PaMC8W8GX
20 AMP	40 AMP	500/750
POWER CONTACT RIGHT ANGLE DIP	POWER CONTACT RIGHT ANGLE DIP	COAXIAL CONTACT RIGHT ANGLE DIP

FEMALE



POWER CONTACT		COAXIAL CONTACT
CDB100P2-PaFC8W8GX	CDB100P4-PaFC8W8GX	50Ω : CDB100C1-PaFC8W8GX 75Ω : CDB100C2-PaFC8W8GX
20 AMP	40 AMP	500/750
POWER CONTACT RIGHT ANGLE DIP	POWER CONTACT RIGHT ANGLE DIP	COAXIAL CONTACT RIGHT ANGLE DIP

CDB	100	X	- Pa	X	C8W8	GX	- N
COMBO D-SUB	SERIES NO. 100: RIGHT ANGLE TYPE	PCB TYPE Pa: RIGHT ANGLE TYPE	GENDER M: MALE F: FEMALE	CONTACT ARRANGEMENT C8W8 TYPE	CONTACT PLATING OPTION Gf: GOLD FLASH G15t: 15u" GOLD ON CONTACT, TIN PLATED ON SOLDER TAIL G30t: 30u" GOLD ON CONTACT, TIN PLATED ON SOLDER TAIL	MOUNTING TYPE N: RIVTED GROUND TABS WITH # 4-40 UNC OPEN	
CONTACT TYPE C1: COAXIAL CONTACT, WIRE TYPE, 50 OHM C2: COAXIAL CONTACT, WIRE TYPE, 75 OHM P2: POWER CONTACT, WIRE TYPE, 20 AMP P4: POWER CONTACT, WIRE TYPE, 40AMP							

ELECTRICAL CHARACTERISTIC

CONTACT CURRENT RATING: 3 AMP
CONTACT RESISTANCE: 10M OHM MAX.
INSULATION RESISTANCE: 5000 OHM MIN
DIELECTRIC WITHSTANDING VOLTAGE: 1000VAC
OPERATING TEMPERATURE:-55°C- +125°C

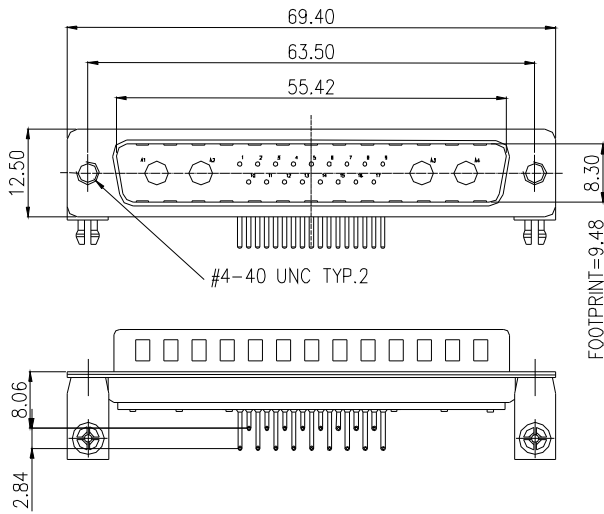
MATERIALS

INSULATOR: P.B.T. UL 94V-0 RATED
SHELL: SPCC - SB
CONTACT: BRASS
CONTACT PLATING: Au

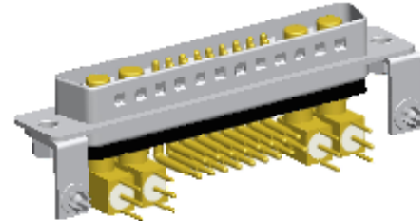
NOTE : SOME SIZES, STYLES AND OPTION ARE NON-STANDARD, NON-CANCELLABLE, NON-RETURNABLE

CDB 100 SERIES - 21W4 MOUNTING TYPE N RIGHT ANGLE TYPE - Pa

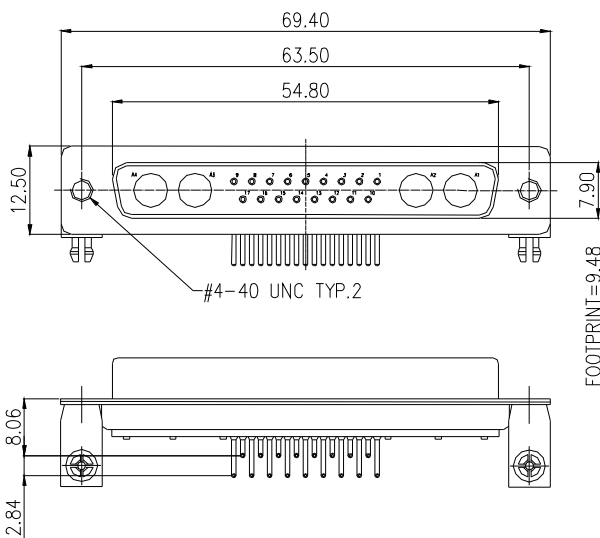
MALE



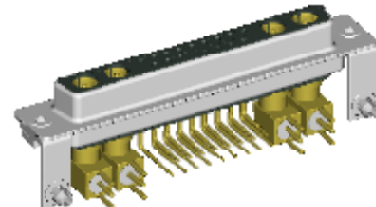
POWER CONTACT		COAXIAL CONTACT
CDB100P2-PaM21W4GX	CDB100P4-PaM21W4GX	500 : CDB100C1-PaM21W4GX 750 : CDB100C2-PaM21W4GX
18.84 20 AMP 7.24 10.50 2.85	18.84 40 AMP 7.24 10.50 3.75	20.85 500/750 9.65 13.90
POWER CONTACT RIGHT ANGLE DIP	POWER CONTACT RIGHT ANGLE DIP	COAXIAL CONTACT RIGHT ANGLE DIP



FEMALE



POWER CONTACT		COAXIAL CONTACT
CDB100P2-PaF21W4GX	CDB100P4-PaF21W4GX	500 : CDB100C1-PaF21W4GX 750 : CDB100C2-PaF21W4GX
19.04 20 AMP 7.24 10.50 2.85	19.04 40 AMP 7.24 10.50 3.75	22.45 500/750 9.65 13.90
POWER CONTACT RIGHT ANGLE DIP	POWER CONTACT RIGHT ANGLE DIP	COAXIAL CONTACT RIGHT ANGLE DIP



CDB	100	X	- Pa	X	21W4	GX	- N
COMBO D-SUB	SERIES NO. 100: RIGHT ANGLE TYPE	PCB TYPE Pa: RIGHT ANGLE TYPE	GENDER M: MALE F: FEMALE	CONTACT ARRANGEMENT 21W4 TYPE	CONTACT PLATING OPTION Gf: GOLD FLASH G15t: 15u" GOLD ON CONTACT, TIN PLATED ON SOLDER TAIL G30t: 30u" GOLD ON CONTACT, TIN PLATED ON SOLDER TAIL	MOUNTING TYPE N: RIVTED GROUND TABS WITH # 4-40 UNC OPEN	

ELECTRICAL CHARACTERISTIC

CONTACT CURRENT RATING: 3 AMP
 CONTACT RESISTANCE: 10M OHM MAX.
 INSULATION RESISTANCE: 5000 OHM MIN
 DIELECTRIC WITHSTANDING VOLTAGE: 1000VAC
 OPERATING TEMPERATURE:-55°C- +125°C

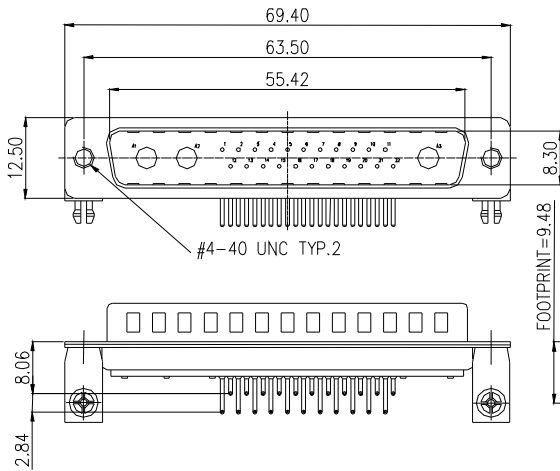
MATERIALS

INSULATOR: P.B.T. UL 94V-0 RATED
 SHELL: SPCC - SB
 CONTACT: BRASS
 CONTACT PLATING: Au

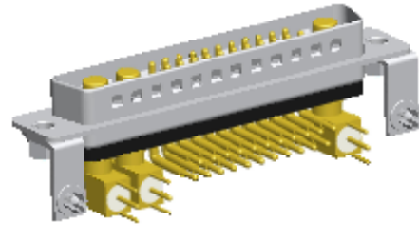
NOTE : SOME SIZES, STYLES AND OPTION ARE NON-STANDARD, NON-CANCELLABLE, NON-RETURNABLE

CDB 100 SERIES - 25W3 MOUNTING TYPE N RIGHT ANGLE TYPE - Pa

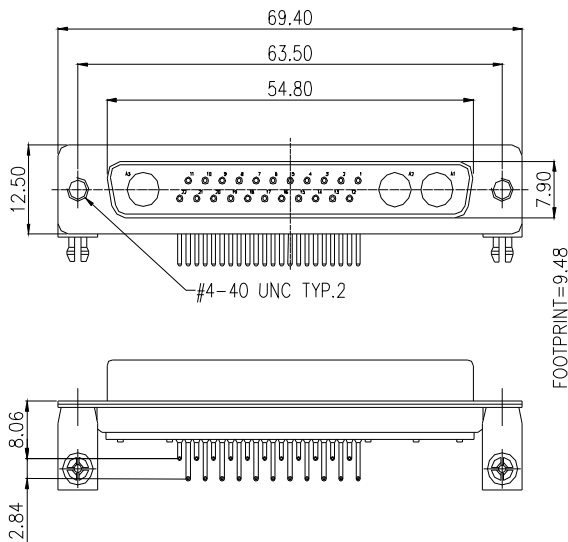
MALE



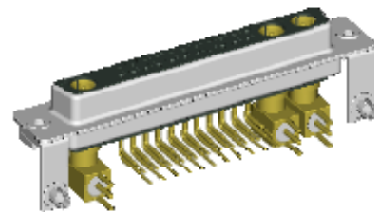
POWER CONTACT		COAXIAL CONTACT
CDB100P2-PaM25W3GX	CDB100P4-PaM25W3GX	50Ω : CDB100C1-PaM25W3GX 75Ω : CDB100C2-PaM25W3GX
20 AMP	40 AMP	50Ω/75Ω
POWER CONTACT RIGHT ANGLE DIP	POWER CONTACT RIGHT ANGLE DIP	COAXIAL CONTACT RIGHT ANGLE DIP



FEMALE



POWER CONTACT		COAXIAL CONTACT
CDB100P2-PaF25W3GX	CDB100P4-PaF25W3GX	50Ω : CDB100C1-PaF25W3GX 75Ω : CDB100C2-PaF25W3GX
20 AMP	40 AMP	50Ω/75Ω
POWER CONTACT RIGHT ANGLE DIP	POWER CONTACT RIGHT ANGLE DIP	COAXIAL CONTACT RIGHT ANGLE DIP



CDB	100	X	- Pa	X	25W3	GX	- N
COMBO D-SUB	SERIES NO. 100: RIGHT ANGLE TYPE	PCB TYPE Pa: RIGHT ANGLE TYPE	GENDER M: MALE F: FEMALE	CONTACT ARRANGEMENT 25W3 TYPE	CONTACT PLATING OPTION Gf: GOLD FLASH G15t: 15u" GOLD ON CONTACT, TIN PLATED ON SOLDER TAIL G30t: 30u" GOLD ON CONTACT, TIN PLATED ON SOLDER TAIL	MOUNTING TYPE N: RIVETED GROUND TABS WITH # 4-40 UNC OPEN	

ELECTRICAL CHARACTERISTIC

CONTACT CURRENT RATING: 3 AMP
CONTACT RESISTANCE: 10M OHM MAX.
INSULATION RESISTANCE: 5000 OHM MIN
DIELECTRIC WITHSTANDING VOLTAGE: 1000VAC
OPERATING TEMPERATURE:-55°C- +125°C

MATERIALS

INSULATOR: P.B.T. UL 94V-0 RATED
SHELL: SPCC - SB
CONTACT: BRASS
CONTACT PLATING: Au

NOTE : SOME SIZES, STYLES AND OPTION ARE NON-STANDARD, NON-CANCELLABLE, NON-RETURNABLE