

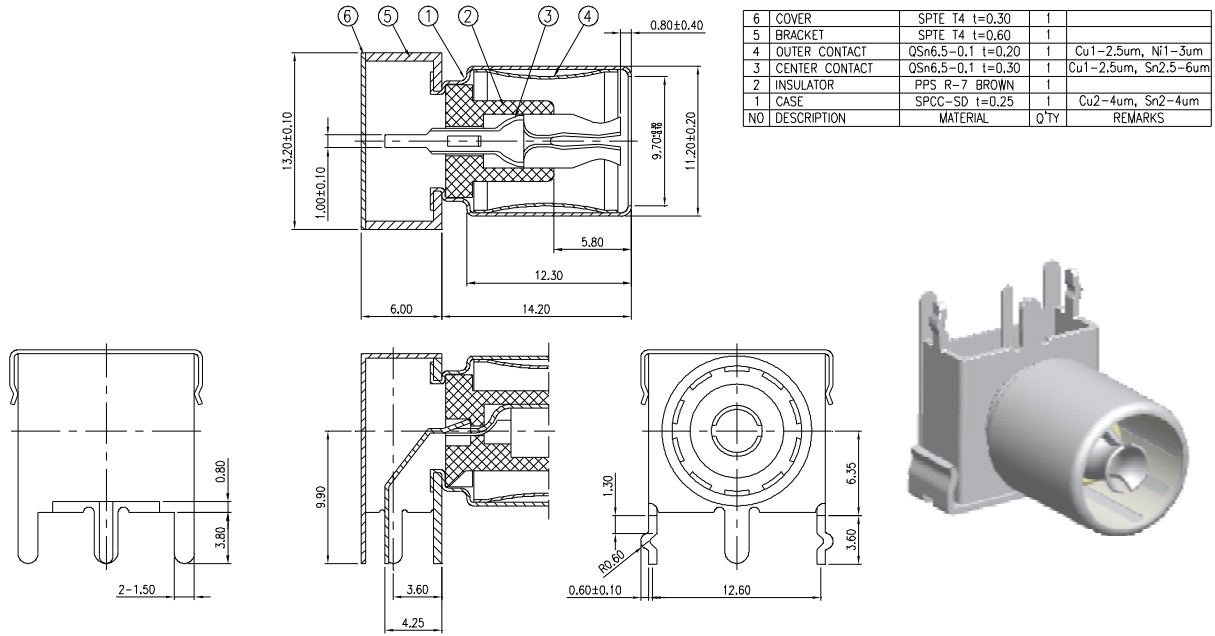
MMI RF COAXIAL CONNECTOR

- IEC -
IEC CONNECTOR

TERMINAL TYPE

Pa : PCB TYPE, RIGHT ANGLE TYPE

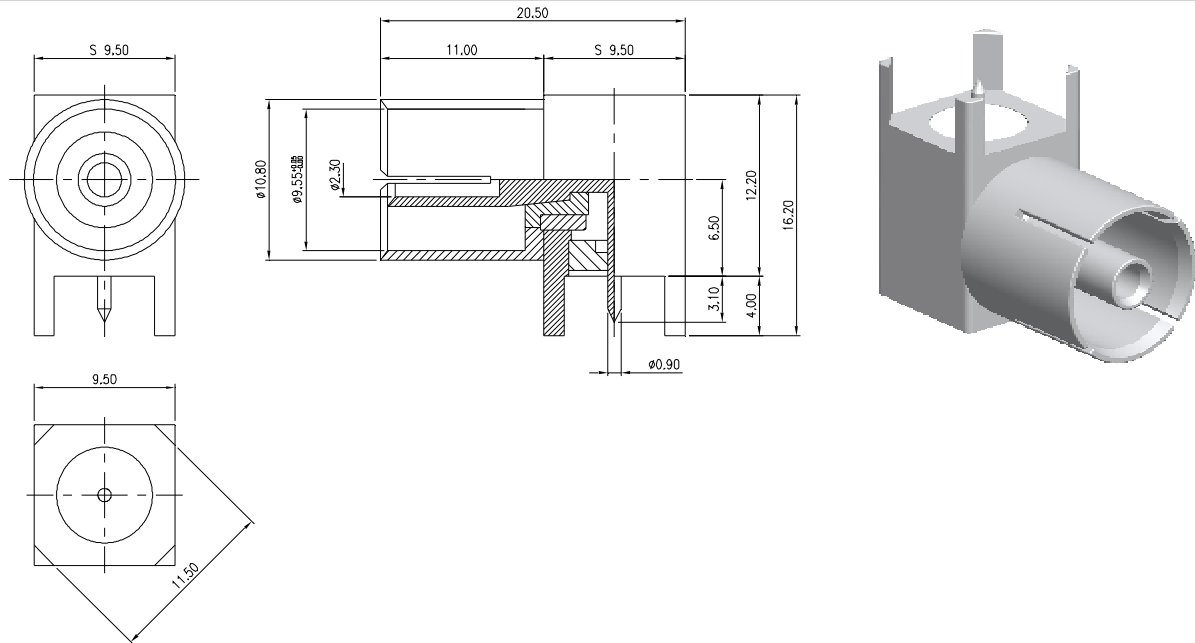
IEC CONNECTOR - RIGHT ANGLE TYPE - Pa



6	COVER	SPTe T4 t=0.30	1	
5	BRACKET	SPTe T4 t=0.60	1	
4	OUTER CONTACT	QSn6.5-0.1 t=0.20	1	Cu1-2.5um, Ni1-3um
3	CENTER CONTACT	QSn6.5-0.1 t=0.30	1	Cu1-2.5um, Sn2.5-6um
2	INSULATOR	PPS R-7 BROWN	1	
1	CASE	SPCC-SD t=0.25	1	Cu2-4um, Sn2-4um
NO	DESCRIPTION	MATERIAL	QTY	REMARKS

IEC	001	Pa	F	T	T
IEC CONNECOTR	SERIES NO.	PCB TYPE Pa: RIGHT ANGLE TYPE	GENDER F: FEMALE	CONTACT PLATING T: TIN PLATING	BODY PLATING T: TIN PLATING

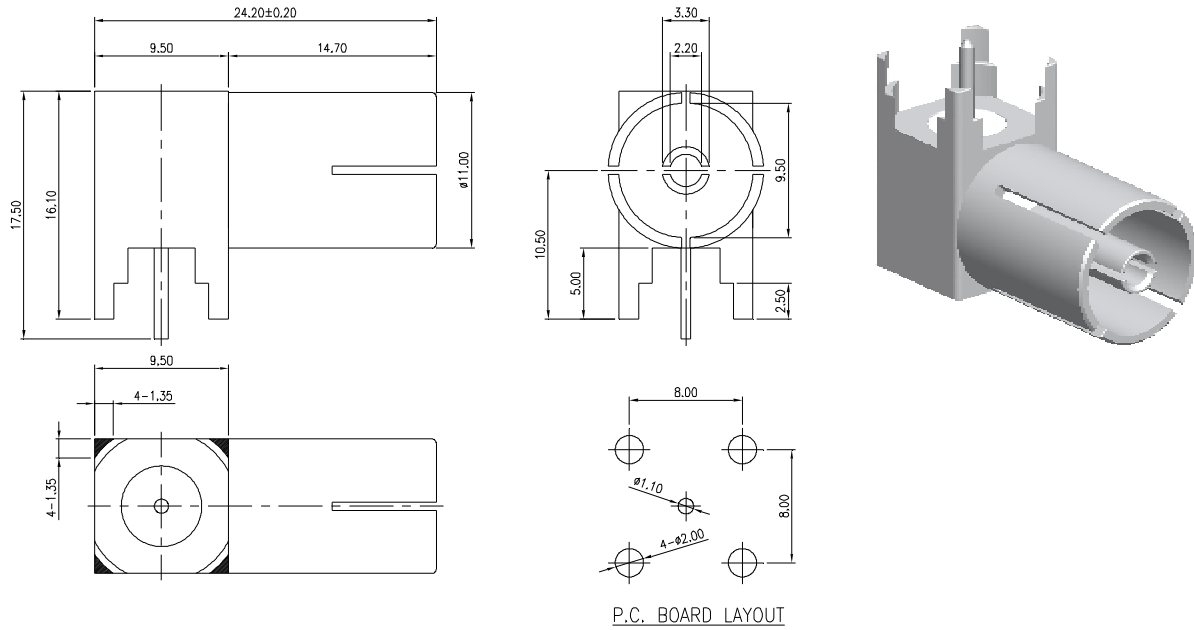
IEC CONNECTOR - RIGHT ANGLE TYPE - Pa



IEC	003	Pa	F	N	N
IEC CONNECOTR	SERIES NO.	PCB TYPE Pa: RIGHT ANGLE TYPE	GENDER F: FEMALE	CONTACT PLATING N: NICKEL PLATING	BODY PLATING N: NICKEL PLATING

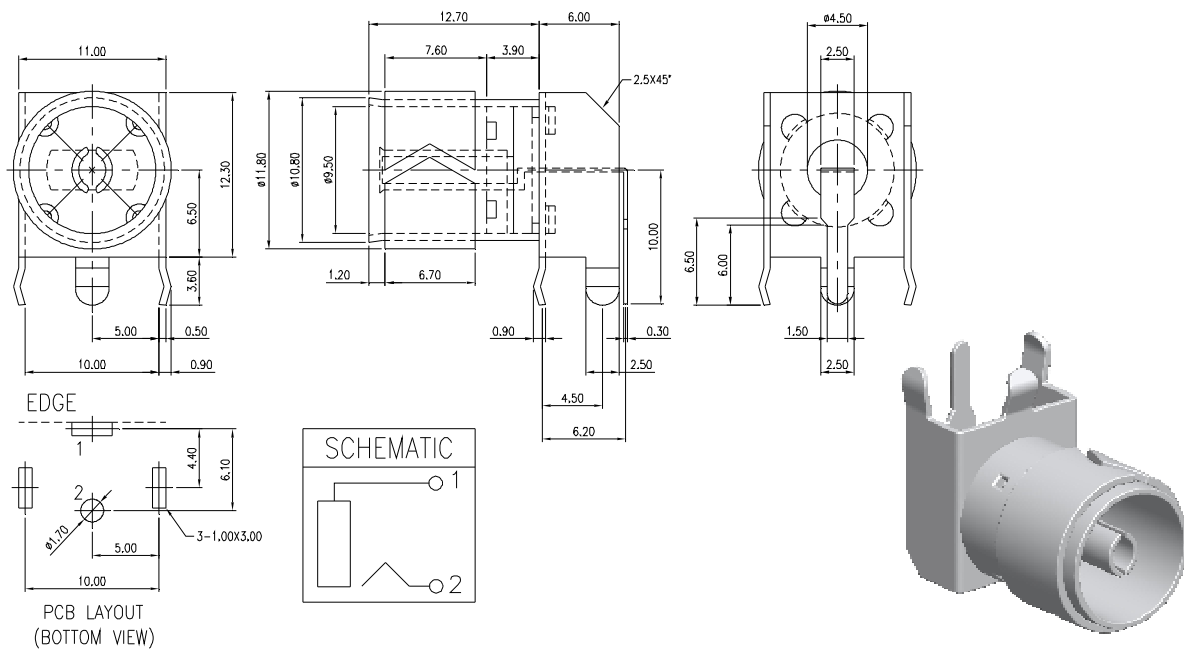
NOTE : SOME SIZES, STYLES AND OPTION ARE NON-STANDARD, NON-CANCELLABLE, NON-RETURNABLE

IEC CONNECTOR - RIGHT ANGLE TYPE - Pa



IEC	005	Pa	F	N	N
IEC CONNECTOR	SERIES NO.	PCB TYPE Pa: RIGHT ANGLE TYPE	GENDER F: FEMALE	CONTACT PLATING N: NICKEL PLATING	BODY PLATING N: NICKEL PLATING

IEC CONNECTOR - RIGHT ANGLE TYPE - Pa



IEC	007	Pa	F	T	T
IEC CONNECTOR	SERIES NO.	PCB TYPE Pa: RIGHT ANGLE TYPE	GENDER F: FEMALE	CONTACT PLATING T: TIN PLATING	BODY PLATING T: TIN PLATING

NOTE : SOME SIZES, STYLES AND OPTION ARE NON-STANDARD, NON-CANCELLABLE, NON-RETURNABLE