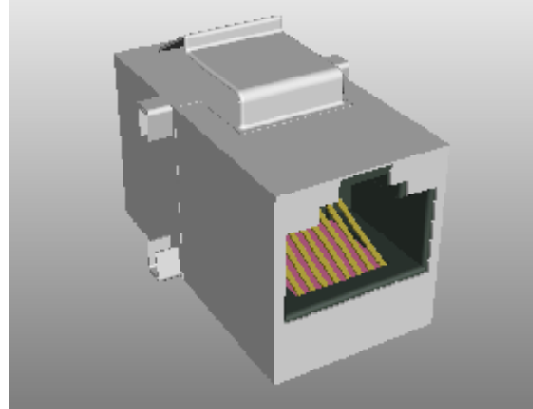
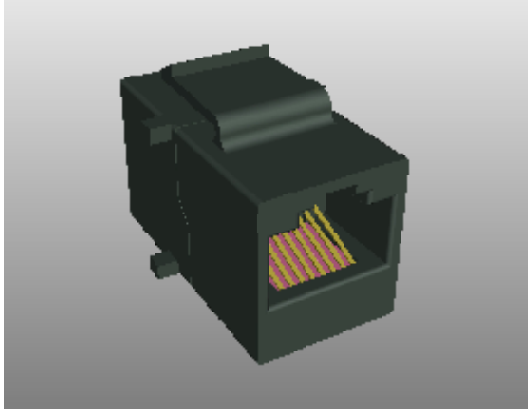


MMI

**MODULAR JACK
NONSHIELD**

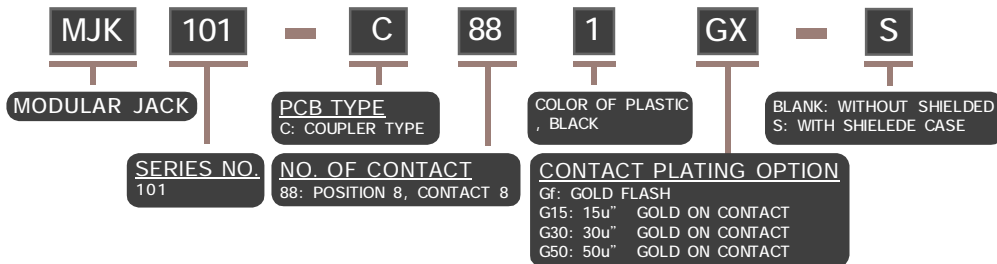
1 x 1



MATERIAL

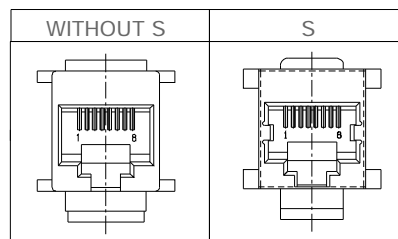
- .. PLASTIC HOUSING: ENGINEERING THERMOPLASTIC, FLAMMBILITY RATING 94V-0.
- .. CONTACTS: 0.35 MM PHOSPHOR BRONZE.
- .. PLATING: GOLD PLATING OVER NICKEL IN CONTACT.

PART NO. INFORMATION



SHIELDING

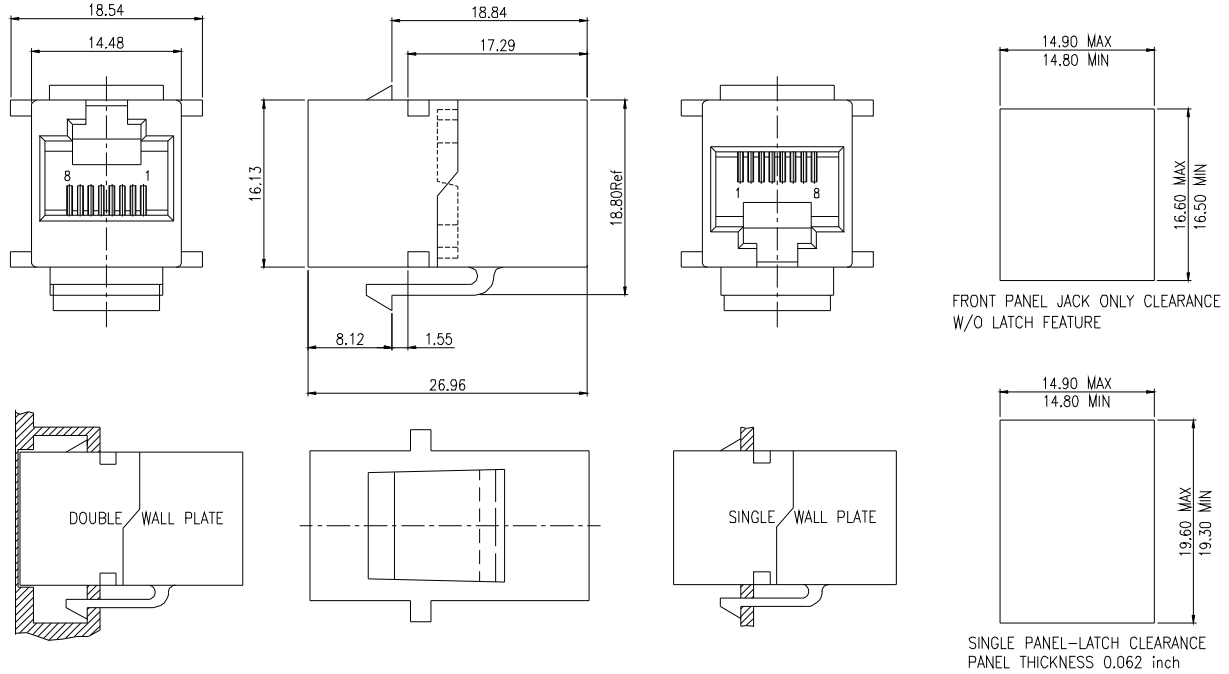
SHIELDING



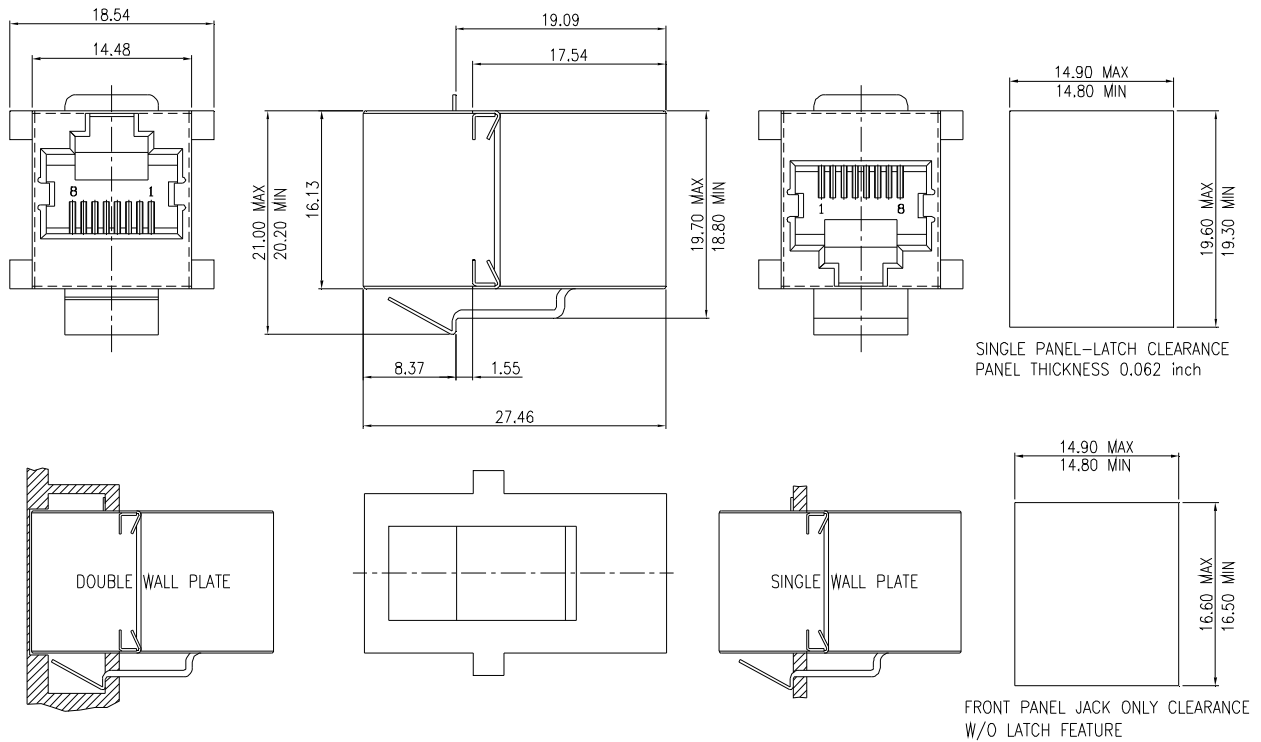
NOTE : SOME SIZES, STYLES AND OPTION ARE NON-STANDARD, NON-CANCELLABLE, NON-RETURNABLE

DIMENSION

1X1... 1 PORT



1X1... 1 PORT - S



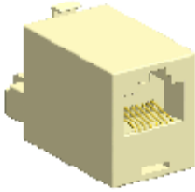
NOTE : SOME SIZES, STYLES AND OPTION ARE NON-STANDARD, NON-CANCELLABLE, NON-RETURNABLE

102 SERIES RJ45 RJ11 8P8C 6P6C COUPLER TYPE - C



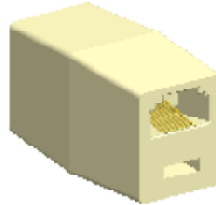
8P8C

MALE TO FEMALE

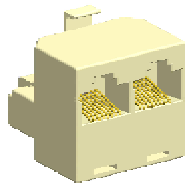


SPECIFICATIONS
 COVER: 1. ABS RESIN HB D-180.
 2. COLOR IVORY
 WIRE: 1. UL 1061 26AWG
 2. STANDARD 7/0. 16
 CONDUCTOR: 1. BENDING TEST: WINDING MIN14.
 2. NICKEL THICKNESS: 100-135 μ m
 3. GOLD THICKNESS: 2.5-3.2 μ m

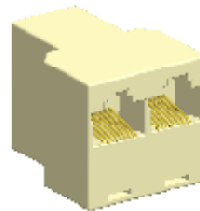
FEMALE to FEMALE



SPECIFICATIONS
 COVER: 1. ABS RESIN HB D-180.
 2. COLOR IVORY
 WIRE: 1. UL 1061 26AWG
 2. STANDARD 7/0. 16
 CONDUCTOR: 1. BENDING TEST: WINDING MIN14.
 2. NICKEL THICKNESS: 100-135 μ m
 3. GOLD THICKNESS: 2.5-3.3 μ m



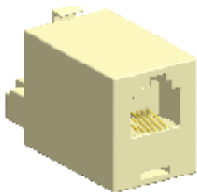
SPECIFICATIONS
 COVER: 1. PC UL 94V-0
 2. ABS UL 94V-2
 3. COLOR IVORY
 WIRE: 1. UL 1061 26AWG
 2. STANDARD 7/0. 16
 CONDUCTOR: 1. BENDING TEST: WINDING MIN14.
 2. GOLD THICKNESS: 2.5-3.2 μ m



SPECIFICATIONS
 COVER: 1. ABS RESIN HB D-180.
 2. COLOR IVORY
 WIRE: 1. UL 1061 26AWG
 2. STANDARD 7/0. 16
 CONDUCTOR: 1. BENDING TEST: WINDING MIN14.
 2. NICKEL THICKNESS: 100-135 μ m
 3. GOLD THICKNESS: 2.5-3.2 μ m

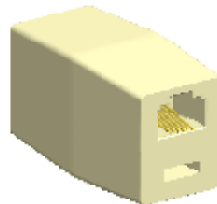
6P6C

MALE TO FEMALE

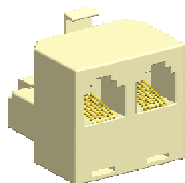


SPECIFICATIONS
 COVER: 1. A.PC L-1250Y.
 2. ABS RESIN HB D-180.
 3. COLOR IVORY
 WIRE: 1. UL 1061 26AWG
 2. STANDARD 7/0. 16
 CONDUCTOR: 1. BENDING TEST: WINDING MIN14.
 2. NICKEL THICKNESS: 100-135 μ m
 3. GOLD THICKNESS: 2.5-3.2 μ m

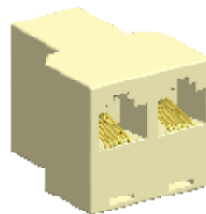
FEMALE to FEMALE



SPECIFICATIONS
 COVER: 1. ABS RESIN HB D-180.
 2. COLOR IVORY
 WIRE: 1. UL 1061 26AWG
 2. STANDARD 7/0. 16
 CONDUCTOR: 1. BENDING TEST: WINDING MIN14.
 2. NICKEL THICKNESS: 100-135 μ m
 3. GOLD THICKNESS: 2.5-3.2 μ m

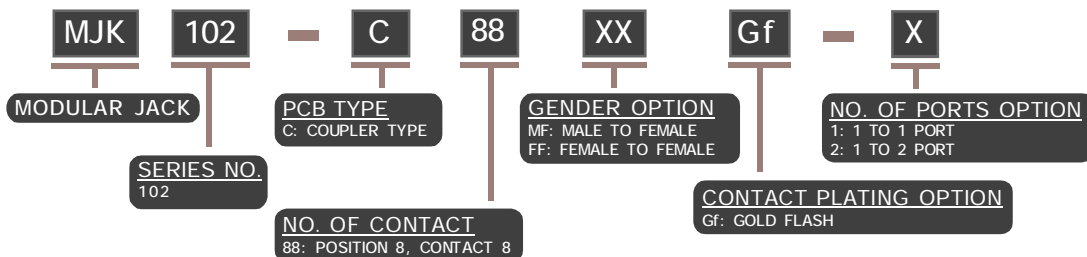


SPECIFICATIONS
 COVER: 1. PC UL 94V-0
 2. ABS UL 94V-2
 3. COLOR IVORY
 WIRE: 1. UL 1061 26AWG
 2. STANDARD 7/0. 16
 CONDUCTOR: 1. BENDING TEST: WINDING MIN14.
 2. GOLD THICKNESS: 2.5-3.2 μ m



SPECIFICATIONS
 COVER: 1. ABS RESIN HB D-180.
 2. COLOR IVORY
 WIRE: 1. UL 1061 26AWG
 2. STANDARD 7/0. 16
 CONDUCTOR: 1. BENDING TEST: WINDING MIN14.
 2. NICKEL THICKNESS: 100-135 μ m
 3. GOLD THICKNESS: 6 μ m

PART NO. INFORMATION

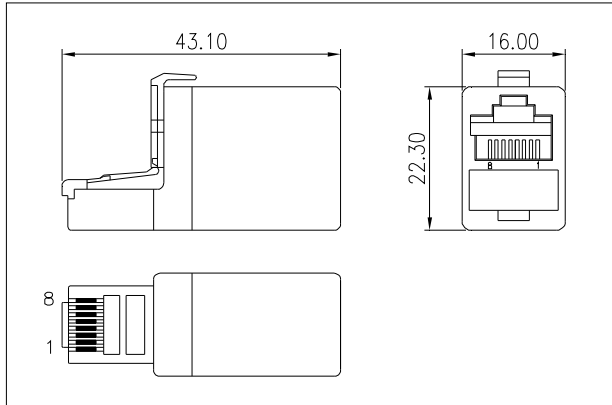


NOTE : SOME SIZES, STYLES AND OPTION ARE NON-STANDARD, NON-CANCELLABLE, NON-RETURNABLE

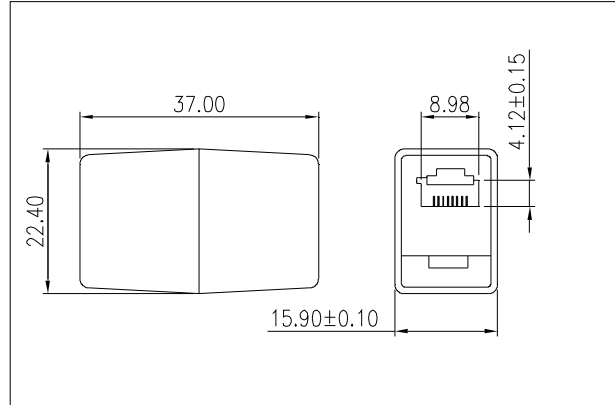
DIMENSION

8P8C.... 1 TO 1 PORT

MALE TO FEMALE

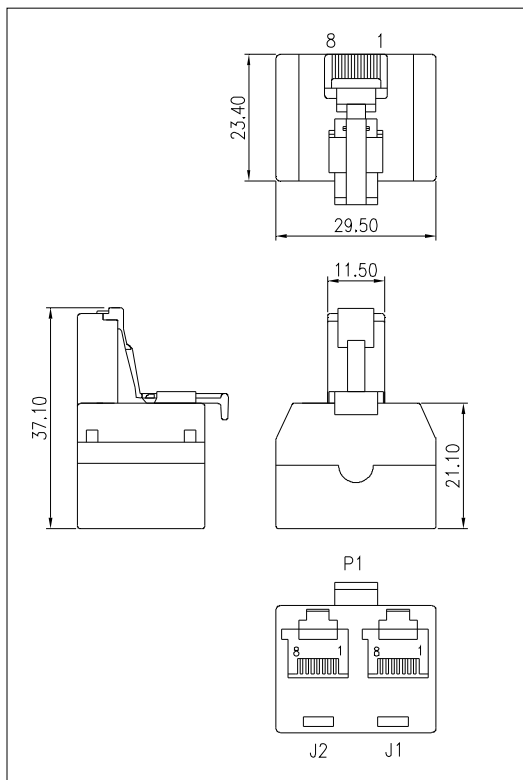


FEMALE TO FEMALE

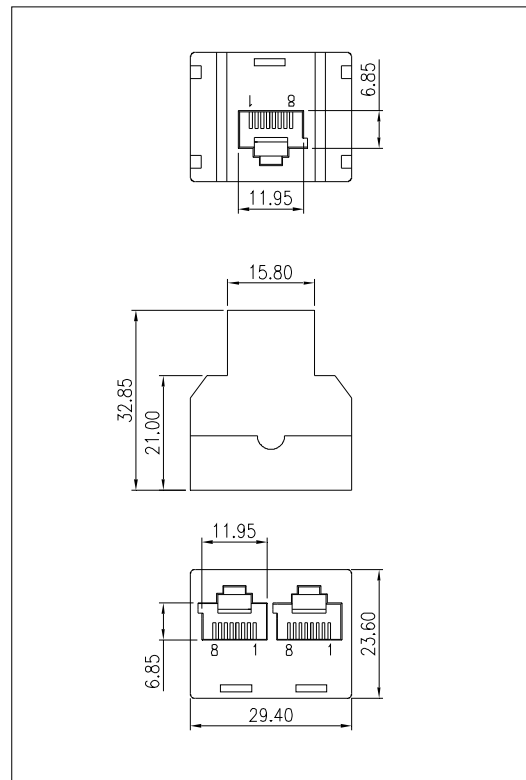


8P8C.... 1 TO 2 PORT

MALE TO FEMALE



FEMALE TO FEMALE

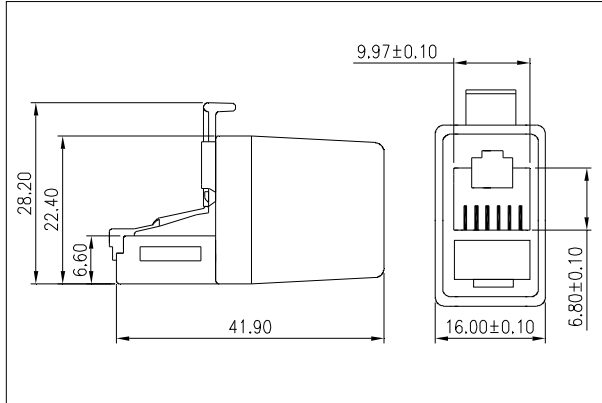


NOTE : SOME SIZES, STYLES AND OPTION ARE NON-STANDARD, NON-CANCELLABLE, NON-RETURNABLE

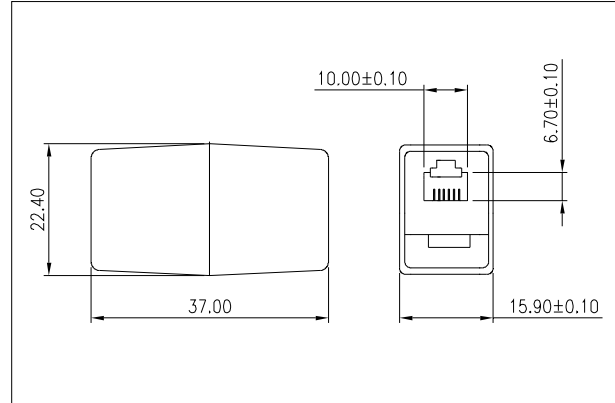
DIMENSION

6P6C.... 1 TO 1 PORT

MALE TO FEMALE

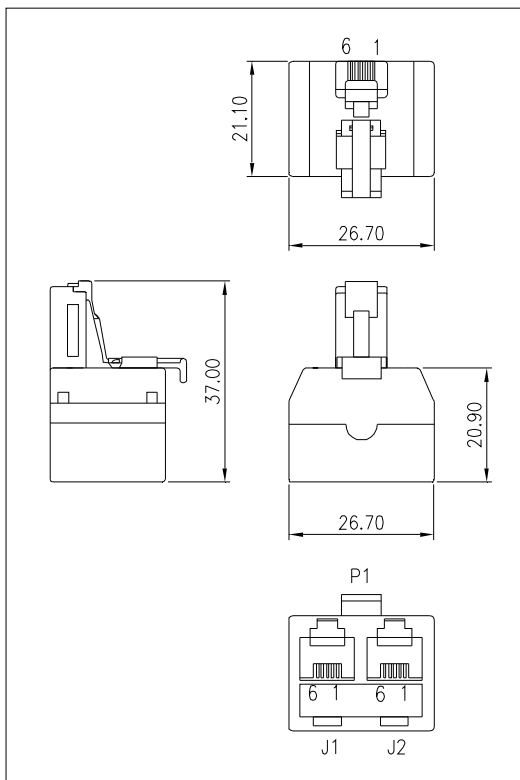


FEMALE TO FEMALE

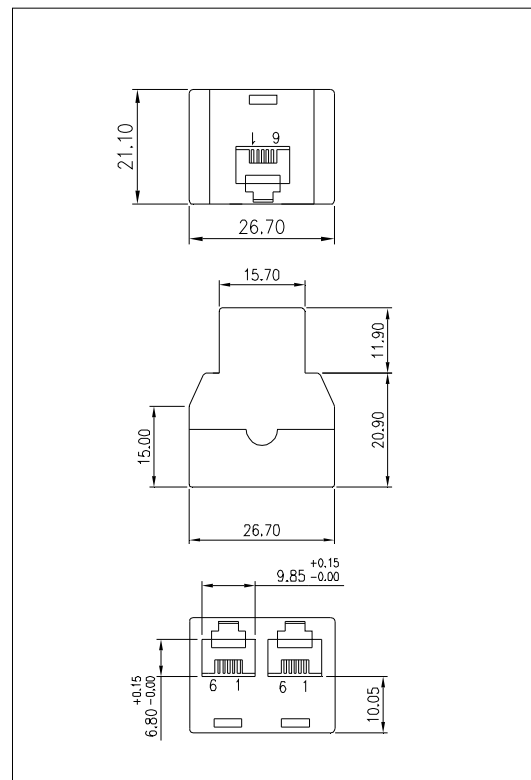


6P6C.... 1 TO 2 PORT

MALE TO FEMALE

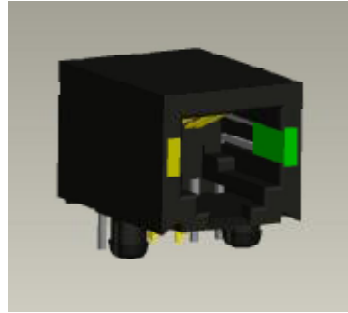
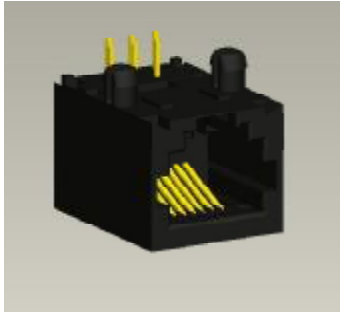


FEMALE TO FEMALE



NOTE : SOME SIZES, STYLES AND OPTION ARE NON-STANDARD, NON-CANCELLABLE, NON-RETURNABLE

1x1

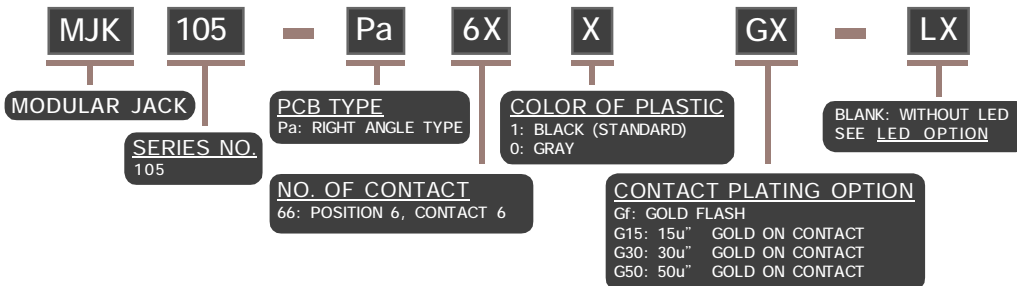


MATERIAL

- .. HOUSING: PA66 UL94-V0.
- .. STANDARD COLOR: BLACK
- .. CONTACTS: PHOSPHOR BRONZE C5210
- .. SPACE: PA66 UL94-V0.



PART NO. INFORMATION

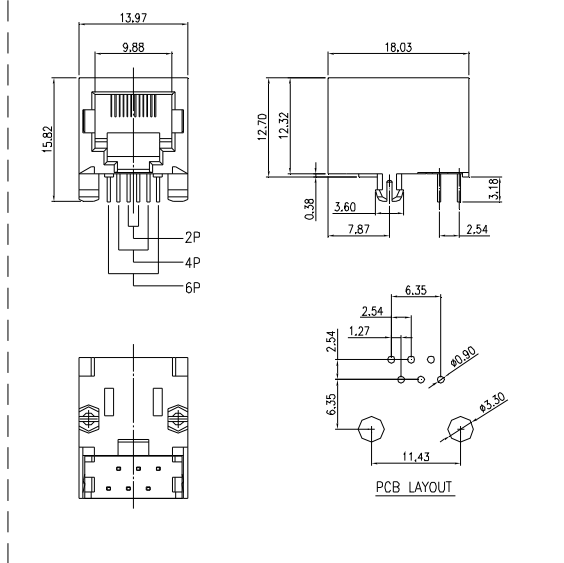


DIMENSION

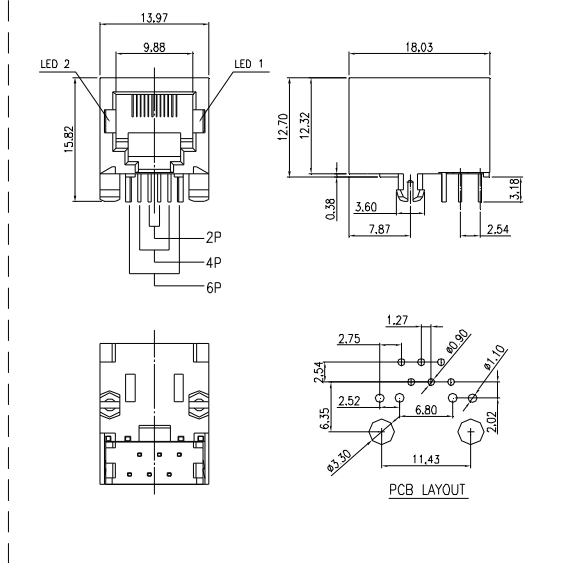
1X1...1 PORT without LED

1X1...1 PORT with LED

MJK105-Pa6XXGX

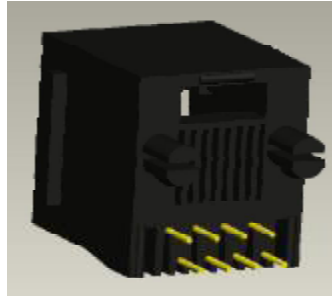
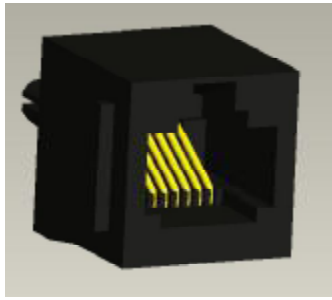


MJK105-Pa6XXGX-LX



NOTE : SOME SIZES, STYLES AND OPTION ARE NON-STANDARD, NON-CANCELLABLE, NON-RETURNABLE

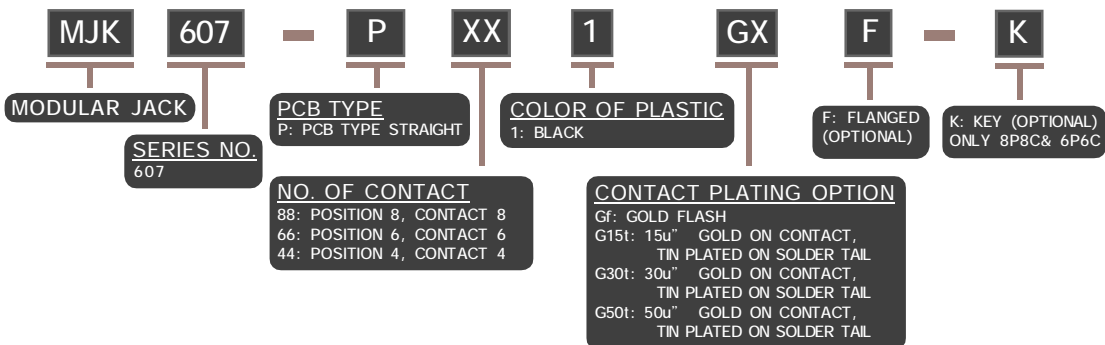
1x1



MATERIAL

- .. HOUSING: PBT POLYESTER UL-94V-0 MIXED GLASS FIBER.
- .. STANDARD COLOR: BLACK
- .. CONTACTS: 0.45 MM PHOSPHOR BRONZE
- .. SHIELD: 0.25 MM COPPER ALLOY PLATED WITH NICKEL.
- CAVITY CONFIRMS TO FCC RULES AND REGULATIONS PART 68, SUBPART F

PART NO. INFORMATION



CONTACT

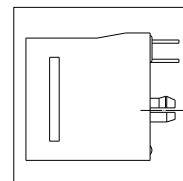
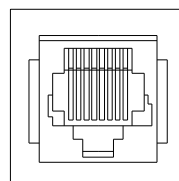
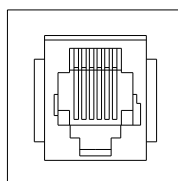
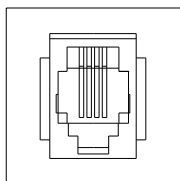
CONTACT

1X1... 4P4C

1X1... 6P6C

1X1... 8P8C

Side view

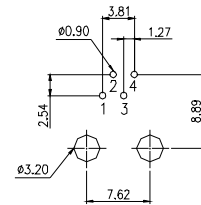
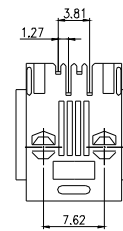
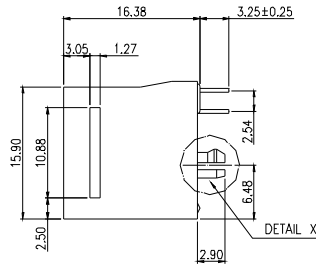
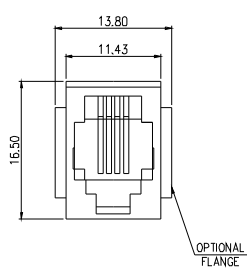


NOTE : SOME SIZES, STYLES AND OPTION ARE NON-STANDARD, NON-CANCELLABLE, NON-RETURNABLE

DIMENSION

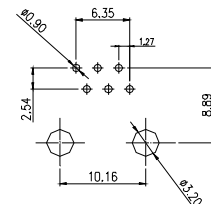
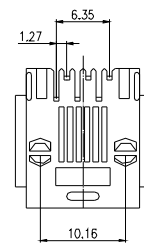
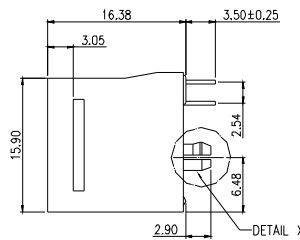
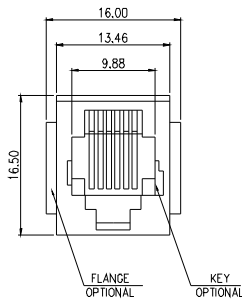
1X1....1 PORT

4P4C



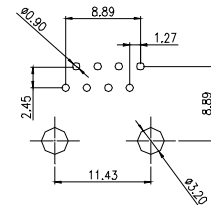
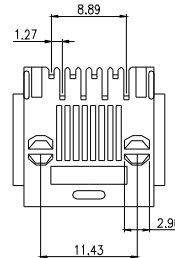
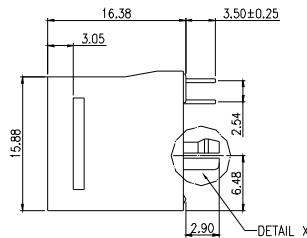
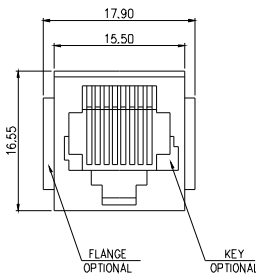
P.C. BOARD LAYOUT

6P6C

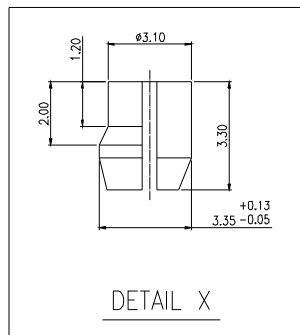


P.C. BOARD LAYOUT

8P8C



P.C. BOARD LAYOUT

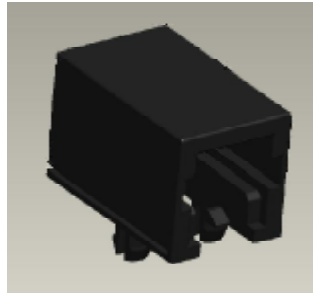
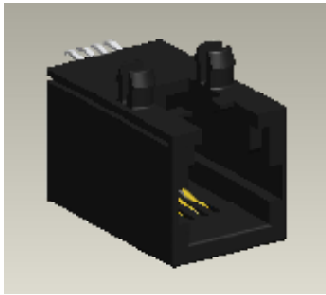


DETAIL X

NOTE : SOME SIZES, STYLES AND OPTION ARE NON-STANDARD, NON-CANCELLABLE, NON-RETURNABLE

629 SERIES RJ11 4P4C RIGHT ANGLE SURFACE MOUNT - Rt

1x1



MATERIAL

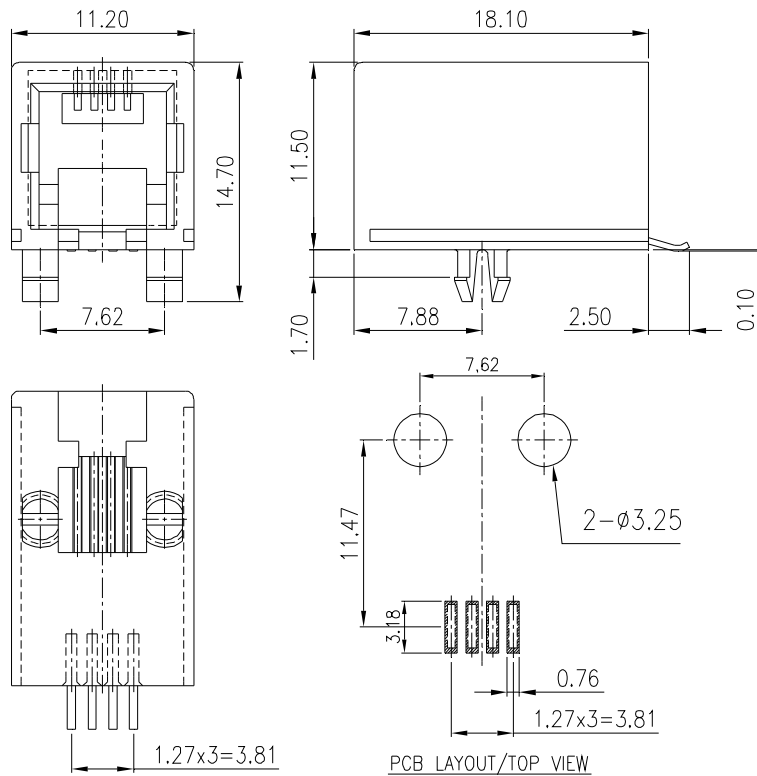
- .. HOUSING: HIGH TEMP. THERMOPLASTIC FLAMMABILITY RATING UL 94V-0.
- .. STANDARD COLOR: BLACK
- .. CONTACTS: PHOSPHOR BRONZE
- CAVITY CONFIRMS TO FCC RULES AND REGULATIONS PART 68, SUBPART F

PART NO. INFORMATION

MJK	629	-	Rt	4X	GX
MODULAR JACK	SERIES NO. 629		PCB TYPE Pa: RIGHT ANGLE SURFACE MOUNT TYPE		CONTACT PLATING OPTION Gf: GOLD FLASH G15t: 15u" GOLD ON CONTACT, TIN PLATED ON SOLDER TAIL G30t: 30u" GOLD ON CONTACT, TIN PLATED ON SOLDER TAIL G50t: 50u" GOLD ON CONTACT, TIN PLATED ON SOLDER TAIL
			NO. OF CONTACT 44: POSITION 4, CONTACT 4 42: POSITION 4, CONTACT 2		

DIMENSION

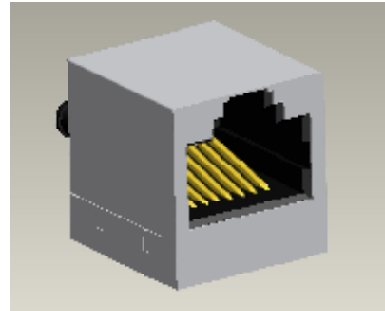
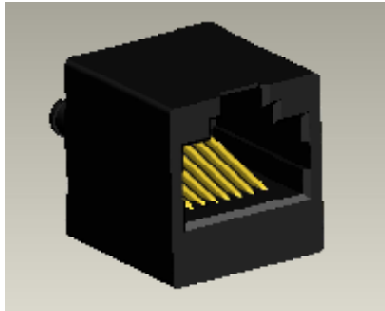
1X1...1 PORT



NOTE : SOME SIZES, STYLES AND OPTION ARE NON-STANDARD, NON-CANCELLABLE, NON-RETURNABLE

647 SERIES RJ45 8P8C SHIELDING STRAIGHT TYPE - P

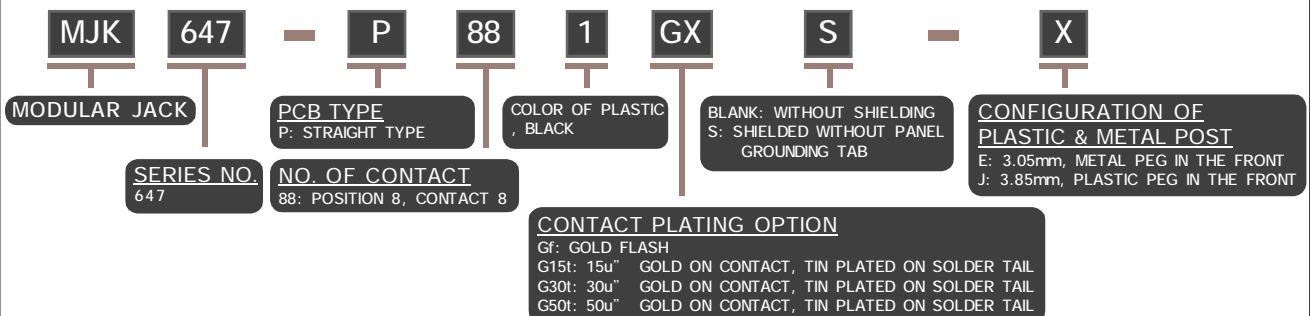
1 x 1



MATERIAL

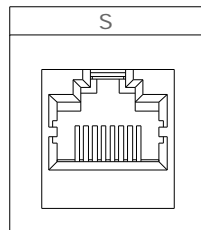
- .. HOUSING: PBT POLYESTER UL-94V-0 MIXED GLASS FIBER.
- .. STANDARD COLOR: BLACK
- .. CONTACTS: 0.45 MM DIM. PHOSPHOR BRONZE, PLATED WITH HARD GOLD
- .. SHIELD: 0.25 MM THICK COPPER ALLOY, PLATED WITH TIN/LEAD.
- CAVITY CONFIRMS TO FCC RULES AND REGULATIONS PART 68, SUBPART F

PART NO. INFORMATION

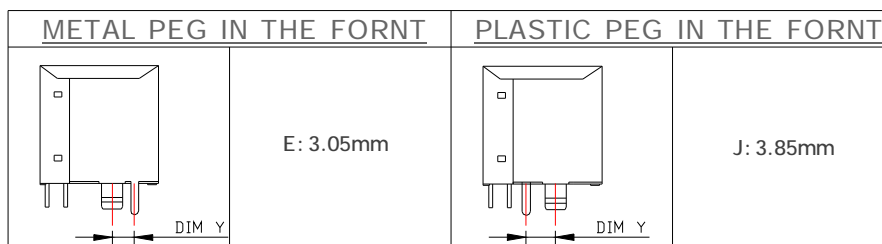


SHIELDING/CONFIGURATION

SHIELDING



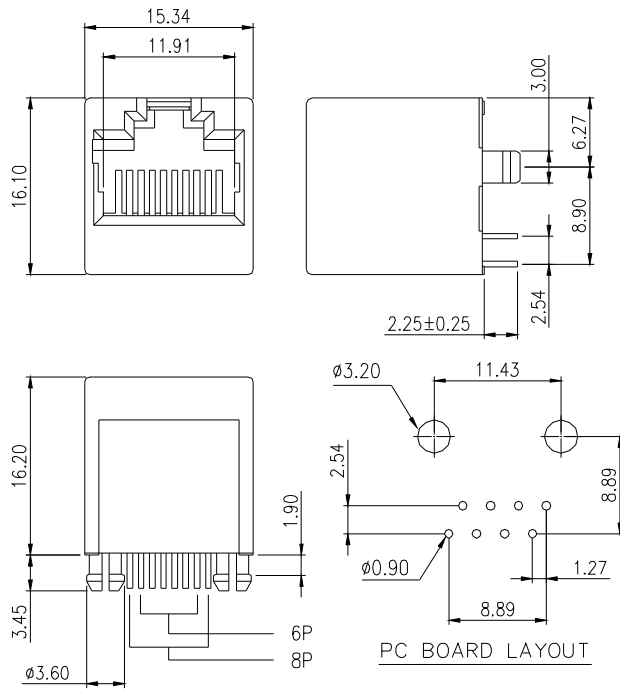
CONFIGURATION



NOTE : SOME SIZES, STYLES AND OPTION ARE NON-STANDARD, NON-CANCELLABLE, NON-RETURNABLE

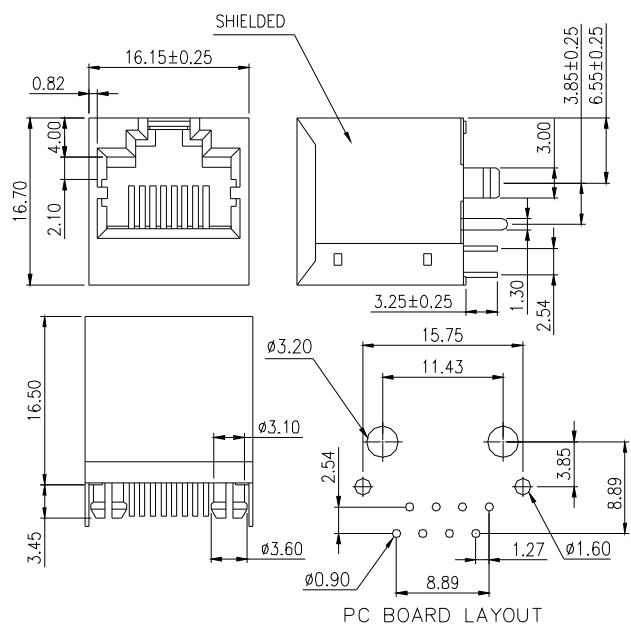
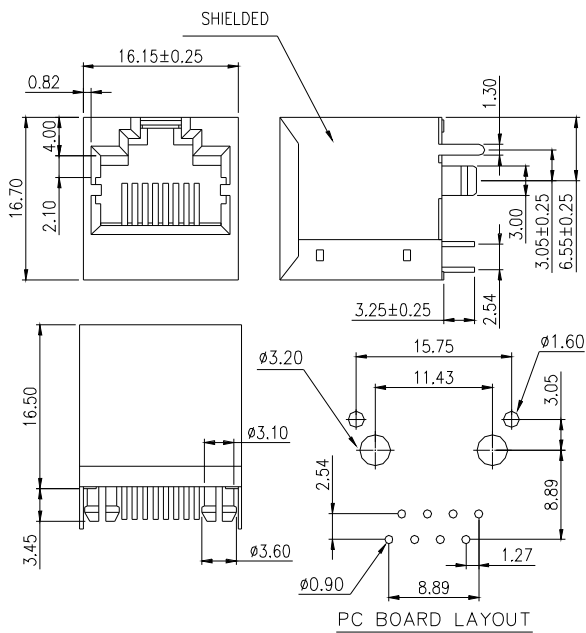
DIMENSION

1X1... 1 PORT



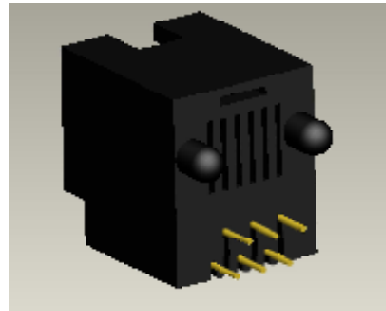
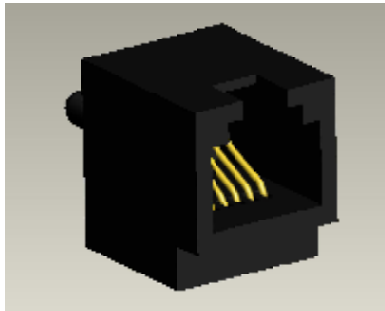
1X1... 1 PORT- S - E

1X1... 1 PORT- S - J



NOTE : SOME SIZES, STYLES AND OPTION ARE NON-STANDARD, NON-CANCELLABLE, NON-RETURNABLE

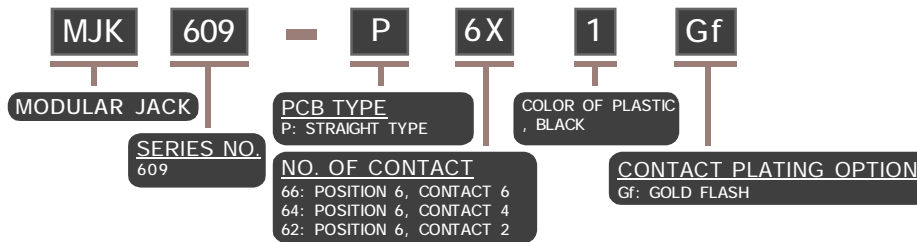
1 x 1



MATERIAL

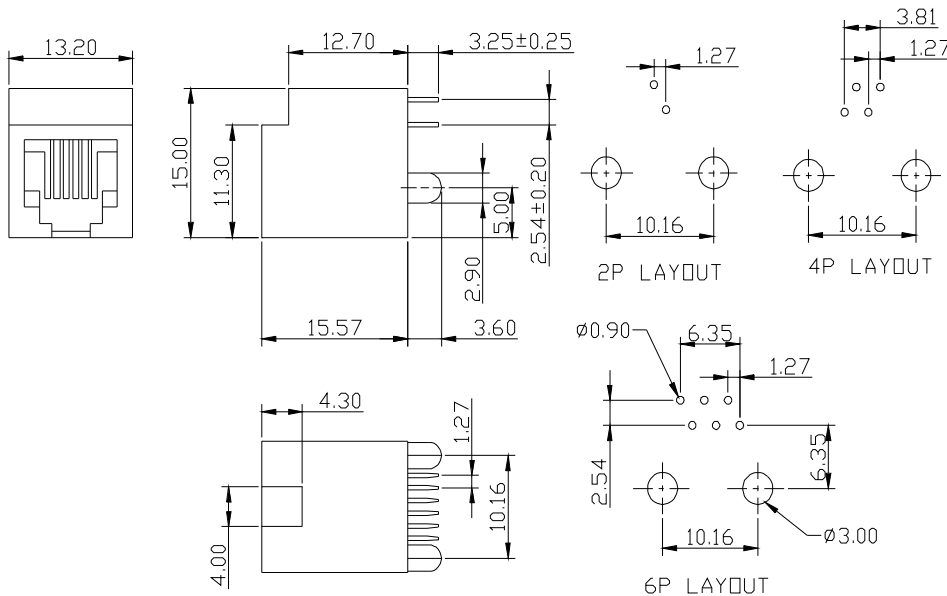
.. HOUSING: PBT POLYESTER UL-94V-0 MIXED GLASS FIBER.
 .. STANDARD COLOR: BLACK
 .. CONTACTS: 0.45MM DIAMETER PHOS-BRONZE, PLATED WITH HARD GOLD
 CAVITY CONFIRMS TO FCC RULES AND REGULATIONS PART 68, SUBPART F.

PART NO. INFORMATION



DIMENSION

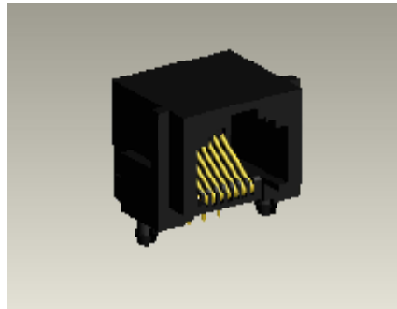
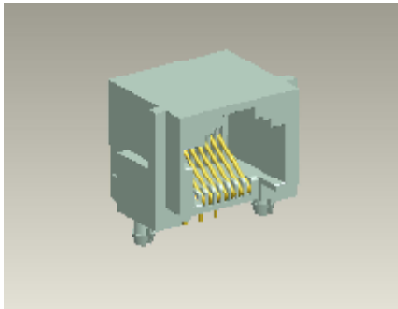
1X1... 1 PORT



NOTE : SOME SIZES, STYLES AND OPTION ARE NON-STANDARD, NON-CANCELLABLE, NON-RETURNABLE

676 SERIES RJ45 8P8C Without SHIELDING RIGHT ANGLE TYPE - Pa

1 x 1



MATERIAL

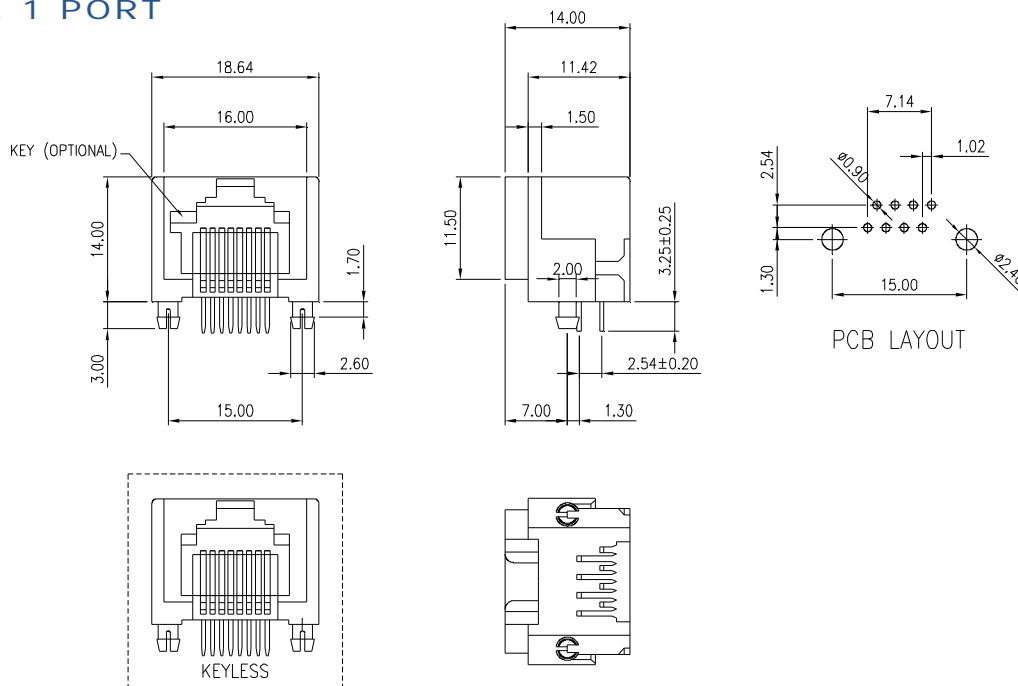
- .. HOUSING: PBT POLYEXTER UL94V-0 MIXED GLASS FIBER.
- .. STANDARD COLOR: GREEN-GRAY.
- .. CONTACTS: 0.45mm DIAMETER PHOS-BRONZE, PLATED WITH HARD GOLD.

PART NO. INFORMATION



DIMENSION

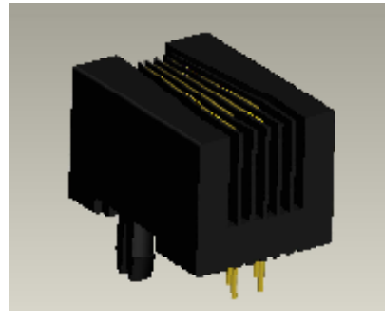
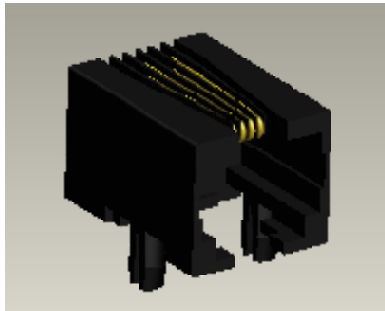
1X1... 1 PORT



NOTE : SOME SIZES, STYLES AND OPTION ARE NON-STANDARD, NON-CANCELLABLE, NON-RETURNABLE

694 SERIES RJ45 8P8C Without SHIELDING RIGHT ANGLE TYPE - Pa

1x1



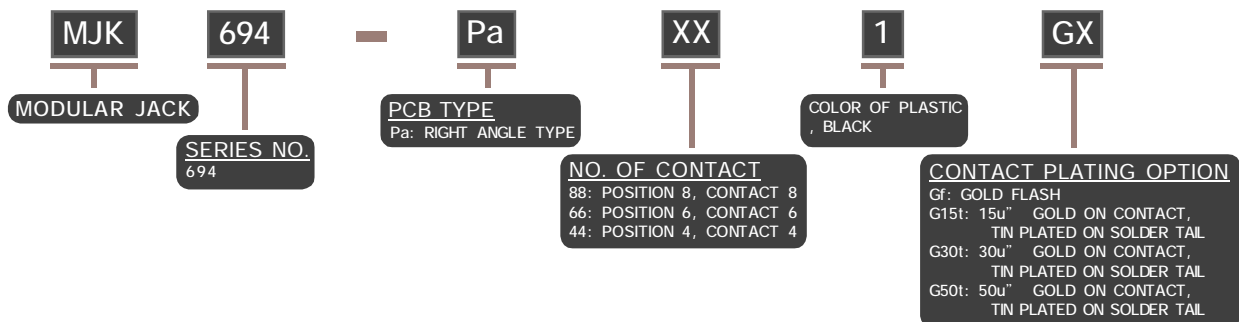
ELECTRICAL CHARACTERISTICS

- .. CURRENT RATING: 1A MAX.
- .. VOLTAGE RATING: 1 50 VAC MAX.
- .. CONTACT RESISTANCE: 20 MW MAX. (30MW MAX. AFTER ENVIRONMENTAL EXPOSURE).
- .. DIELECTRIC WITHSTANDING VOLTAGE: @ 1,000 VRMS. 1 MIN. (60HZ) BETWEEN ADJACENT CONTACTS.
@ 1,500 VRMS. 1 MIN. (60HZ) BETWEEN SHIELD AND CONTACTS.
- .. INSULATION RESISTANCE: 500 MW /100VDC MIN. BETWEEN ADJACENT CONTACTS.
(200 MW /100VDC MIN. AFTER ENVIRONMENTAL EXPOSURE).

ENVIRONMENTAL

- .. OPERATING TEMPERATURE: -40°C TO 70°C

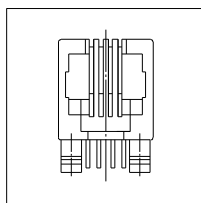
PART NO. INFORMATION



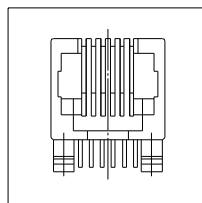
CONTACT

CONTACT

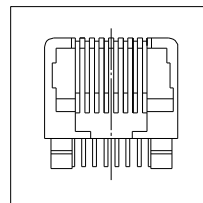
1X1... 4P4C



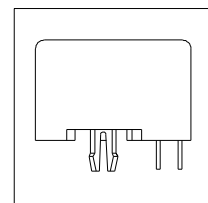
1X1... 6P6C



1X1... 8P8C



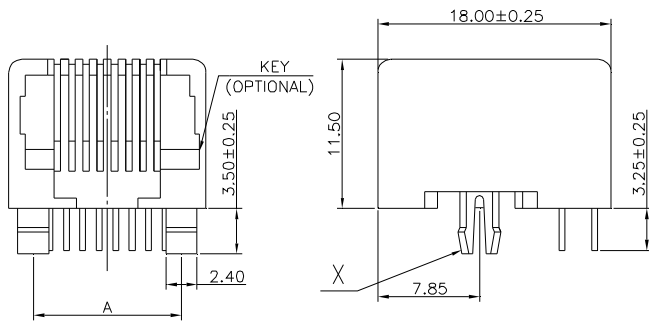
Side view



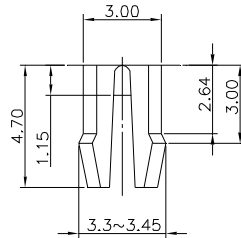
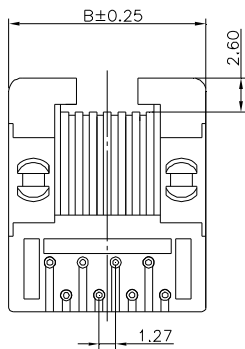
NOTE : SOME SIZES, STYLES AND OPTION ARE NON-STANDARD, NON-CANCELLABLE, NON-RETURNABLE

DIMENSION

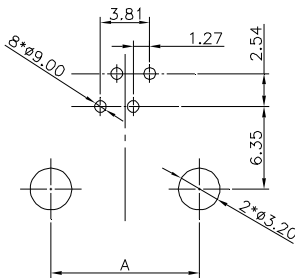
1X1... 1 PORT



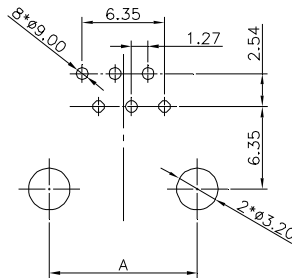
NO. OF CONTACT	DIM A	DIM B
8P8C	11.43	15.20
6P6C	10.16	13.20
4P4C	7.62	11.20



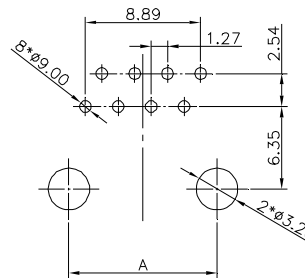
DETAIL X(4/1)



4P4C
P.C.B. LAYOUT



6P6C
P.C.B. LAYOUT

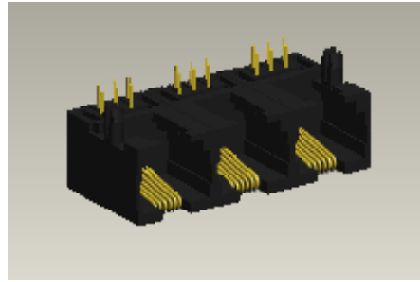
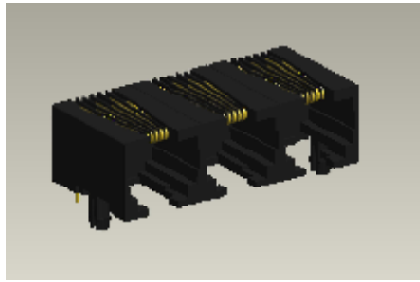


8P8C
P.C.B. LAYOUT

NOTE : SOME SIZES, STYLES AND OPTION ARE NON-STANDARD, NON-CANCELLABLE, NON-RETURNABLE

697 SERIES RJ45 8P8C RJ11 6P6C Without SHIELDING RIGHT ANGLE TYPE - Pa

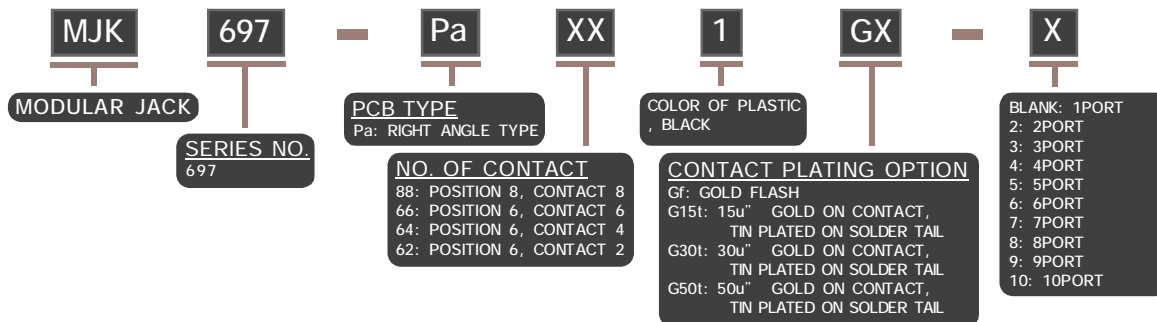
1x1



MATERIAL

- .. HOUSING: PBT POLYESTER UL 94V-0 MIXED GLASS FIBER.
- .. STANDED COLOR: BLOCK.
- .. CONTACTS: 0.45MM DIAMETER PHOS-BRONZE PLATED WITH HARD GOLD.
- .. CAVITY CONFIRMS TO FCC RULES AND REGULATIOS PART 68, SUB PART F.

PART NO. INFORMATION

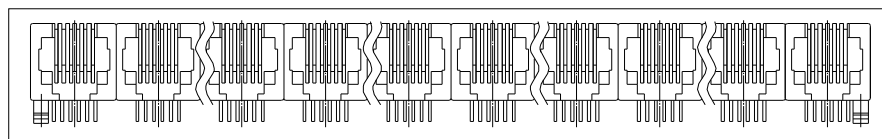
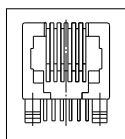


CONTACT

PORT

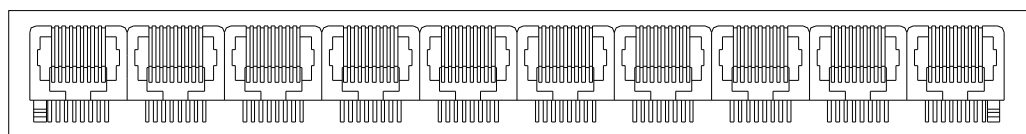
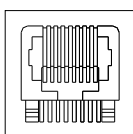
6P6C

1X1... 1PORT ~ 1X10 ... 10PORT



8P8C

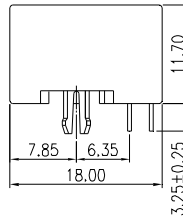
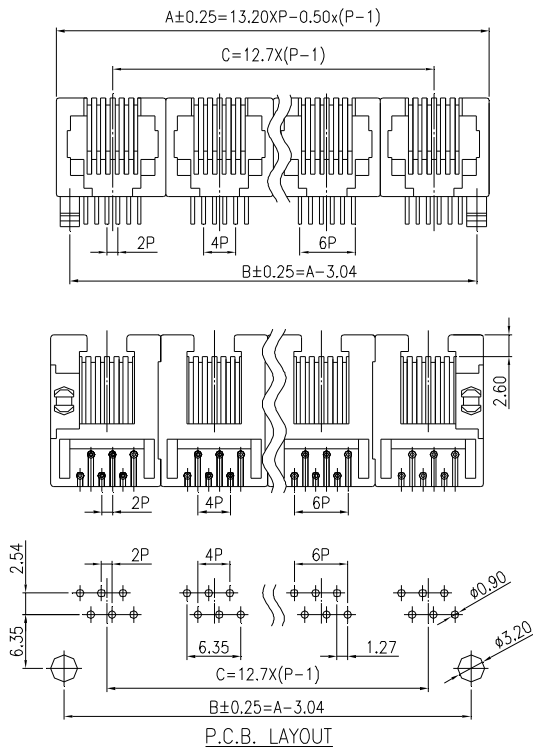
1X1... 1PORT ~ 1X10 ... 10PORT



NOTE : SOME SIZES, STYLES AND OPTION ARE NON-STANDARD, NON-CANCELLABLE, NON-RETURNABLE

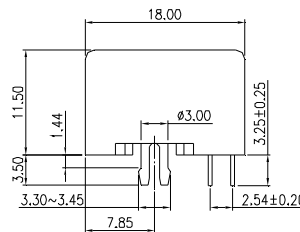
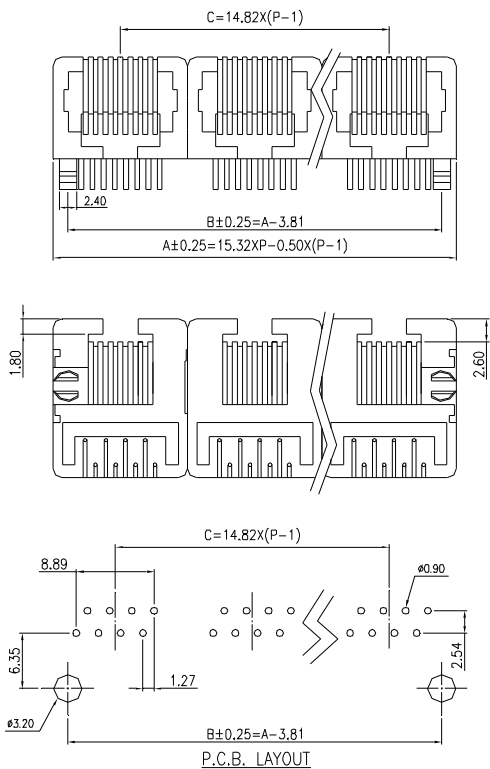
DIMENSION

6P6C 1X1~1X10 ... 1~10PORT



PART NO.	PORTS	DIMENSION		
		A	B	C
MJK697-Pa6_1G_-1	1	13.20	10.16	-
MJK697-Pa6_1G_-2	2	25.90	22.86	12.70
MJK697-Pa6_1G_-3	3	38.60	35.56	25.40
MJK697-Pa6_1G_-4	4	51.30	48.26	38.10
MJK697-Pa6_1G_-5	5	64.00	60.96	50.80
MJK697-Pa6_1G_-6	6	76.70	73.66	63.50
MJK697-Pa6_1G_-7	7	89.40	86.36	76.20
MJK697-Pa6_1G_-8	8	102.10	99.06	88.90
MJK697-Pa6_1G_-9	9	114.80	111.76	101.60
MJK697-Pa6_1G_-10	10	127.50	124.46	114.30

8P8C 1X1~1X10 ... 1~10PORT

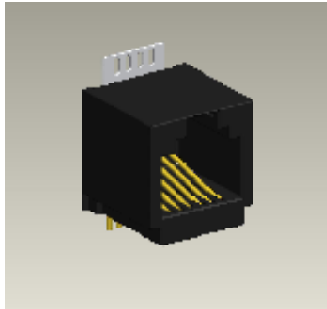


PART NO.	PORTS	DIMENSION		
		A	B	C
MJK697-Pa881G_-1	1	15.32	11.51	-
MJK697-Pa881G_-2	2	30.14	26.33	14.82
MJK697-Pa881G_-3	3	44.96	41.15	29.64
MJK697-Pa881G_-4	4	59.78	55.97	44.46
MJK697-Pa881G_-5	5	74.60	70.79	59.28
MJK697-Pa881G_-6	6	89.42	85.61	74.10
MJK697-Pa881G_-7	7	104.24	100.43	88.92
MJK697-Pa881G_-8	8	119.06	115.25	103.74
MJK697-Pa881G_-9	9	133.88	130.07	118.56
MJK697-Pa881G_-10	10	148.70	144.89	133.38

NOTE : SOME SIZES, STYLES AND OPTION ARE NON-STANDARD, NON-CANCELLABLE, NON-RETURNABLE

738 SERIES RJ 11 RJ45 6P6C 8P8C SURFACE MOUNT TYPE - Pt

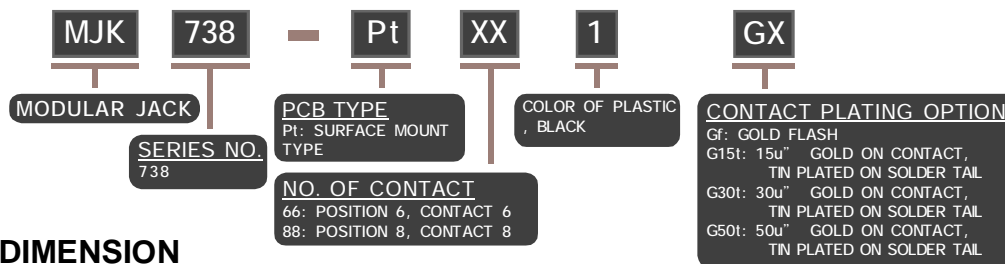
1 x 1



MATERIAL

- .. HOUSING: DSM STANYL TE250F6(NYLON-46) , HEAT DEFLECTION TEMP. 290°C , UL 94V-0
OR NYLON ZYTEL FR- 52, HEAT DEFLECTION TEMP. 278°C , UL 94V-0
- .. STANDARD COLOR: BLACK
- .. CONTACTS: 0.35 MM THICK PHOSPHOR BRONZE PLATED WITH HARD GOLD AND TIN LED IN SOLDER AREA.
- .. HOLD DOWN: 0.35 MM THICK COPPER ALLOY PLATED WITH TIN-LEAD.
- CAVITY CONFIRMS TO FCC RULES AND REGULATIONS PART 68, SUBPART F

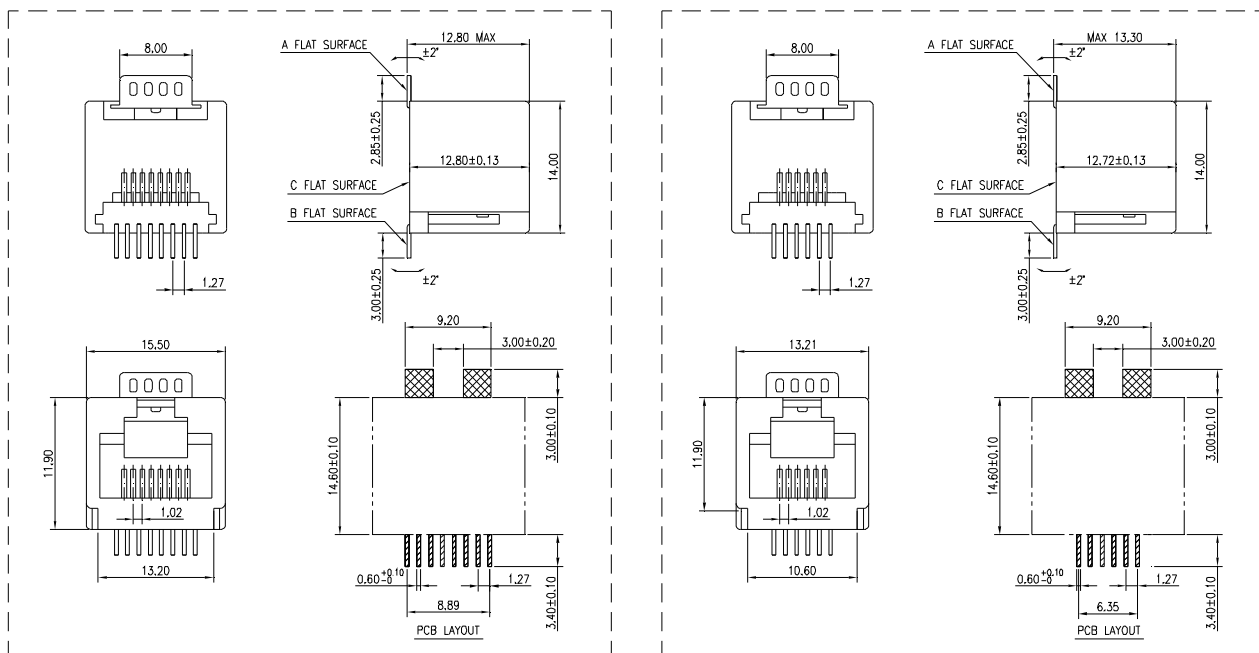
PART NO. INFORMATION



DIMENSION

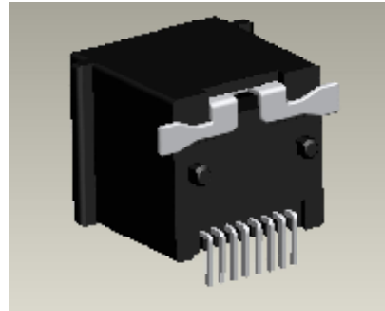
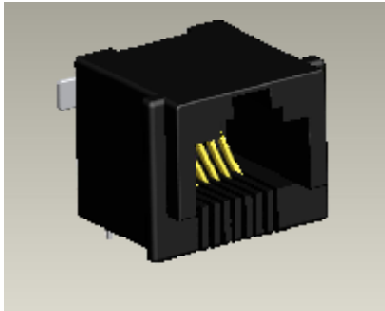
1X1... 1 PORT, 8P8C

1X1... 1 PORT, 6P6C



NOTE : SOME SIZES, STYLES AND OPTION ARE NON-STANDARD, NON-CANCELLABLE, NON-RETURNABLE

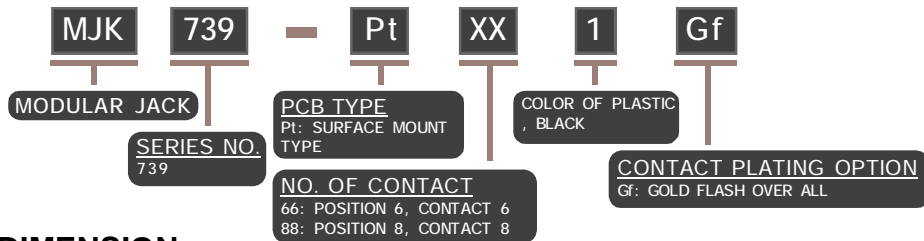
1 x 1



MATERIAL

- .. HOUSING: NYLON ZYTEL FR- 50, HEAT DEFLECTION TEMP. 255°C
- .. STANDARD COLOR: BLACK
- .. CONTACTS: 0.35 MM PHOSPHOR BRONZE, 30 MIN GXT (PALLADIUM) OR HARD GOLD OVER 80 MIN NICKEL UNDERPLATE, SOLDER TAIL AREA.
- .. HOLD DOWN: 0.40 MM THICK COPPER ALLOY PLATED WITH TIN-LEAD.
- CAVITY CONFIRMS TO FCC RULES AND REGULATIONS PART 68, SUBPART F

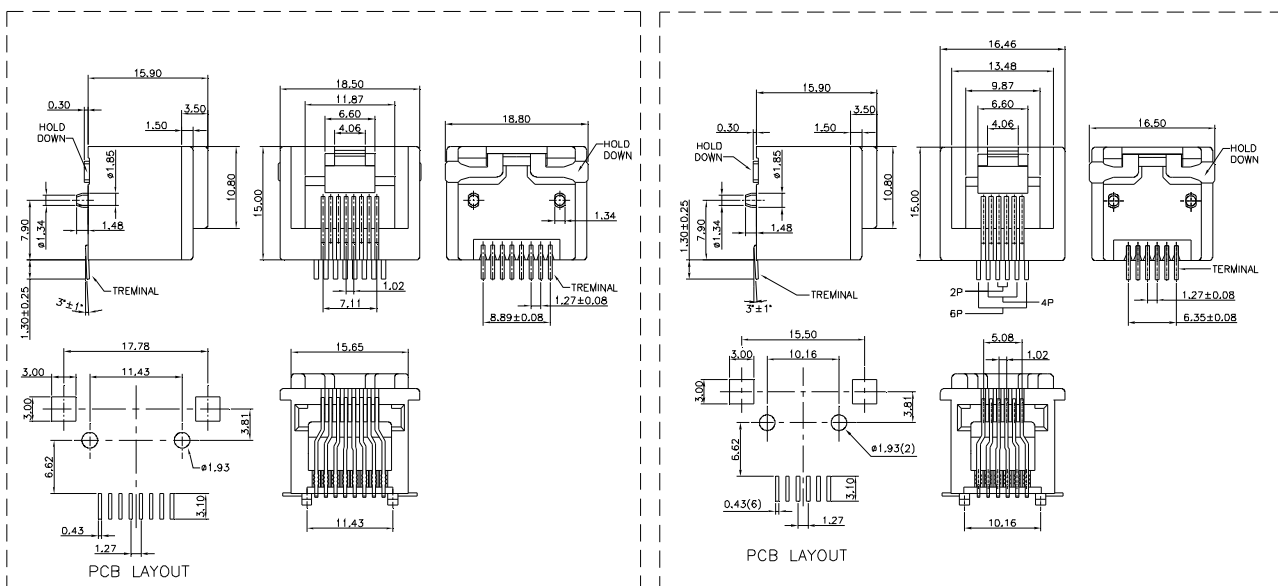
PART NO. INFORMATION



DIMENSION

1X1... 1 PORT, 8P8C

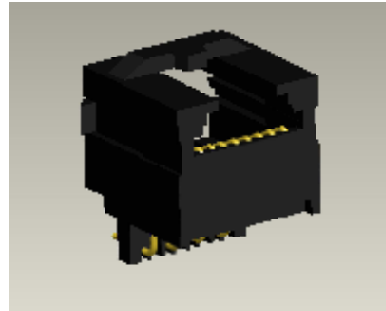
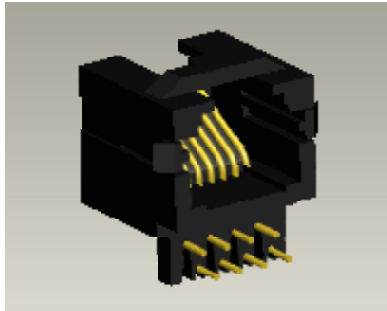
1X1... 1 PORT, 6P6C



NOTE : SOME SIZES, STYLES AND OPTION ARE NON-STANDARD, NON-CANCELLABLE, NON-RETURNABLE

717 SERIES RJ45 8P8C Without SHIELDING STRAIGHT TYPE - P

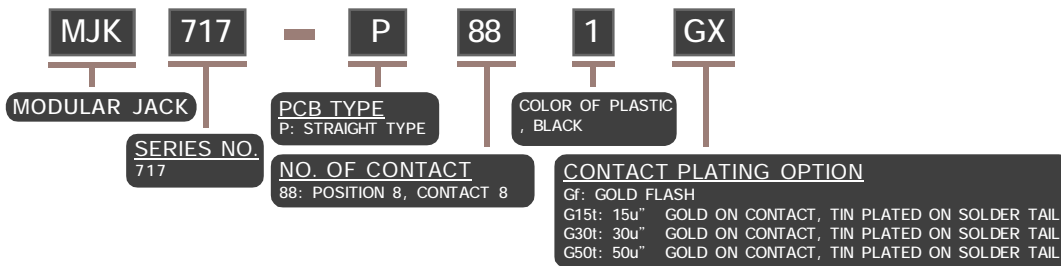
1 x 1



MATERIAL

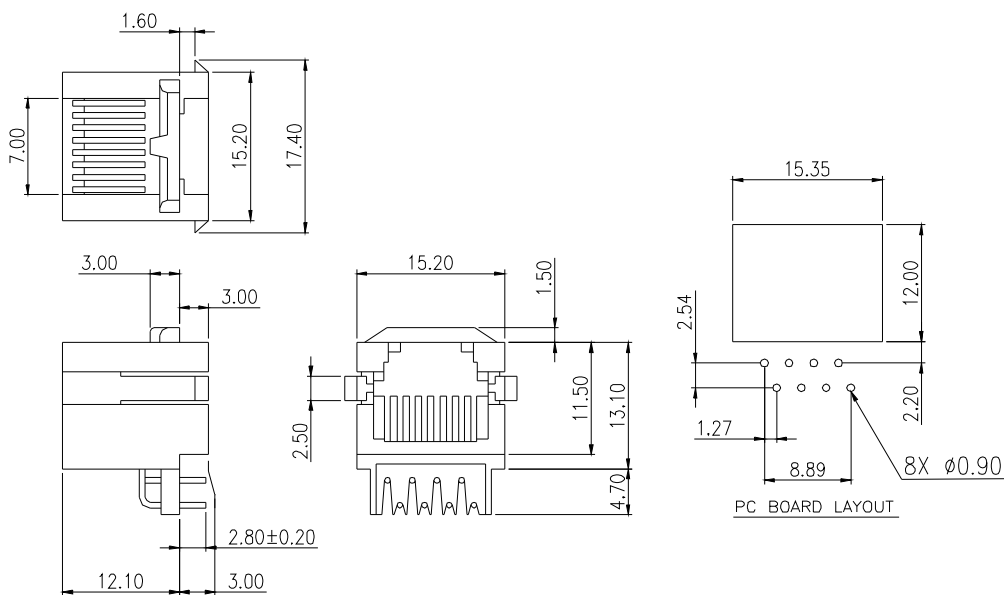
- .. HOUSING: PBT POLYESTER UL94V-0 MIXED GLASS FIBER.
- .. STANDARD COLOR: BLACK
- .. CONTACTS: 0.45 MM DIAMETER PHOS-BRONZE, PLATED WITH HARD GOLD.
- CAVITY CONFIRMS TO FCC RULES AND REGULATIONS PART 68, SUBPART F

PART NO. INFORMATION



DIMENSION

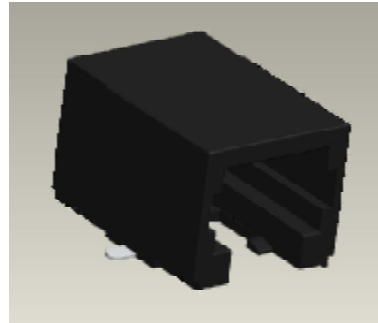
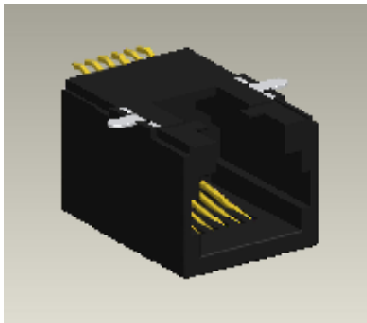
1X1... 1 PORT



NOTE : SOME SIZES, STYLES AND OPTION ARE NON-STANDARD, NON-CANCELLABLE, NON-RETURNABLE

778 SERIES RJ 11 6P6C Without SHIELDING RIGHT ANGLE SURFACE MOUNT TYPE - Rt

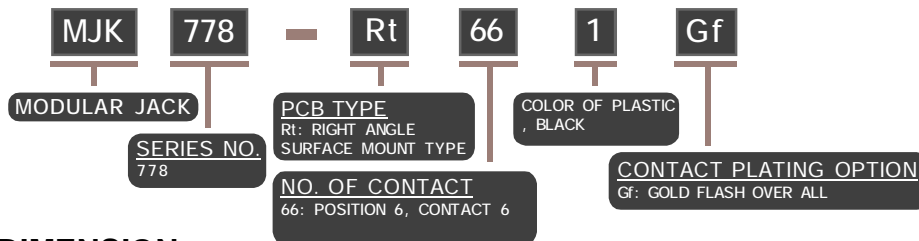
1 x 1



MATERIAL

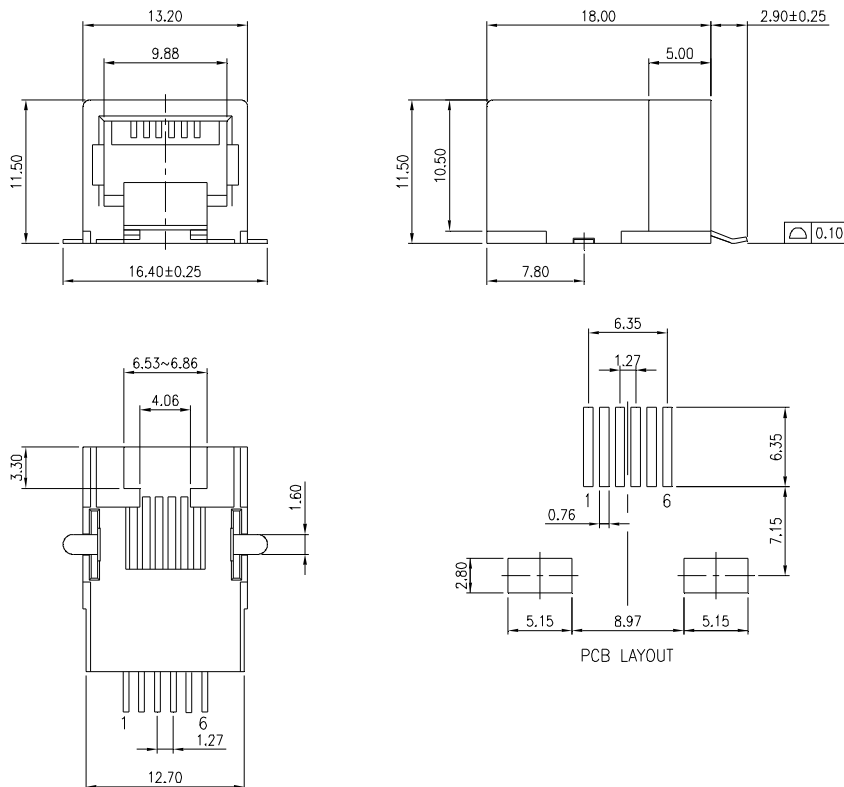
- .. HOUSING: DSM STANYL TE250F6 (NYLON 46), HEAT DEFLECTION TEMP. 290°C, BLACK COLOR UL94V-0.
- .. CONTACTS: 0.35 mm THICK PHOS-BRONZE PLATED WITH HARD GOLD AND GOLD FLASH IN SOLDER TAIL AREA.
- .. HOLD DOWN: 0.30 mm THICK COPPER ALLOY PLATED WITH NICKEL.

PART NO. INFORMATION



DIMENSION

1X1... 1 PORT, 6P6C



NOTE : SOME SIZES, STYLES AND OPTION ARE NON-STANDARD, NON-CANCELLABLE, NON-RETURNABLE