

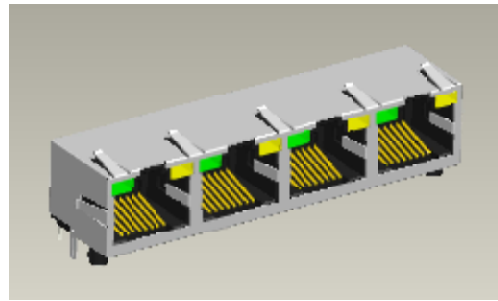
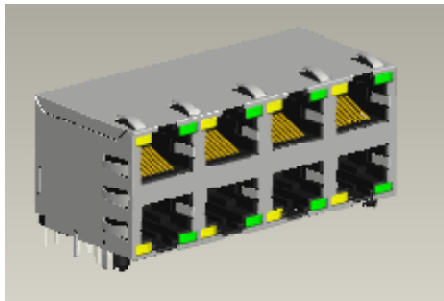
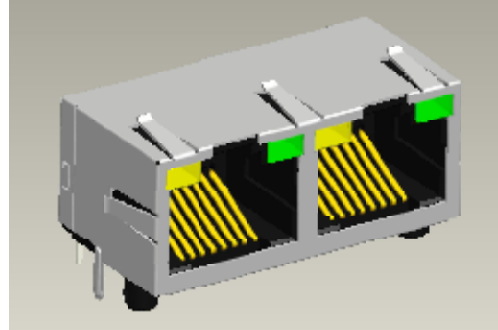
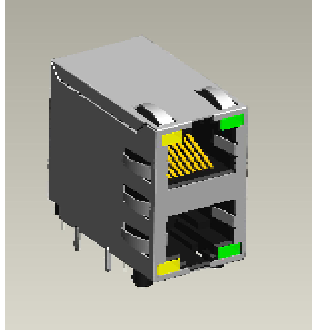
MMI

**MODULAR JACK
WITH SHIELD**

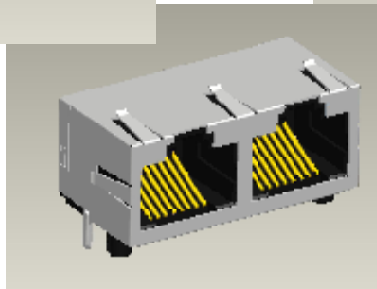
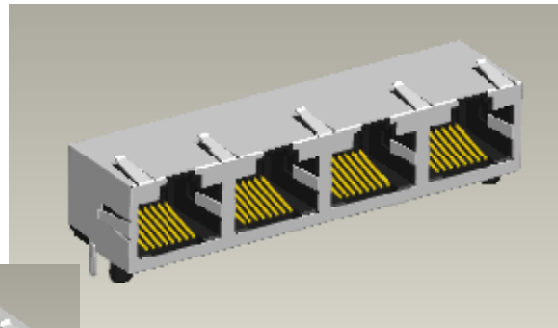
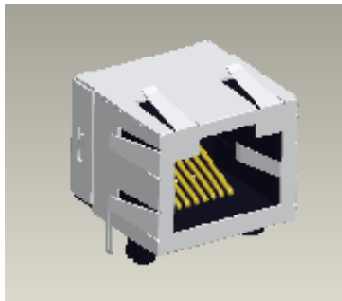
190 SERIES RJ45 With / Without LED Type RIGHT ANGLE TYPE - Pa

1xN & 2xN

With LED



Without LED



MATERIAL

- .. HOUSING: DSM STANYL TE250F6 (NYLON-46), HEAT DEFLECTION TEMP 290°, BLACK COLOR, UL94V-0.
- .. CONTACTS: 0.35mm THICK PHOS-BRONZE PLATED WITH HARD GOLD AND TIN/LEAD IN SOLD AREA.
- .. SHIELED: 0.25mm THICK COPPER ALLOY, PLATED WITH TIN-LEAD.

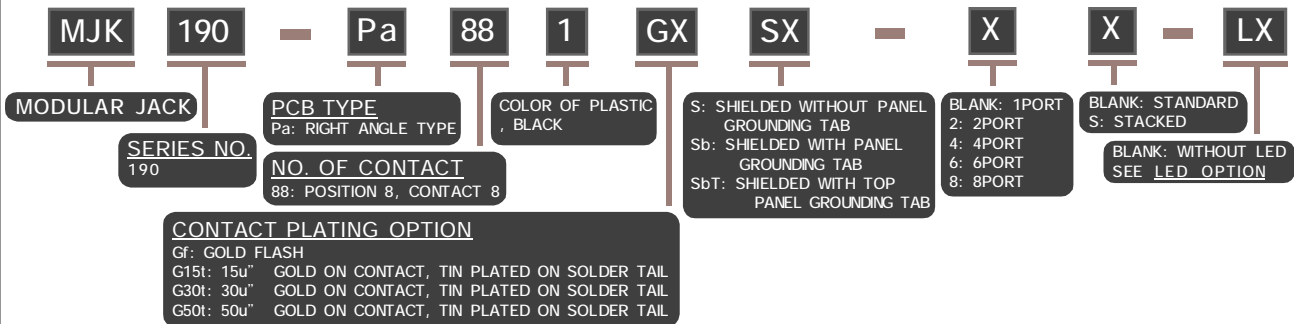
ELECTRICAL

- .. INSULATION RESISTANCE: 500MEGOHMS MINIMUM
- .. CURRENT RATING: 1.5AMPS
- .. VOLTAGE RATING: 150 VOLTS AC

NOTE : SOME SIZES, STYLES AND OPTION ARE NON-STANDARD, NON-CANCELLABLE, NON-RETURNABLE

190 SERIES RJ45 With / Without LED Type RIGHT ANGLE TYPE - Pa

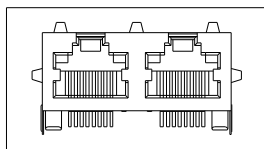
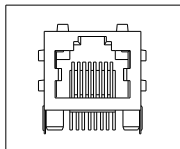
PART NO. INFORMATION



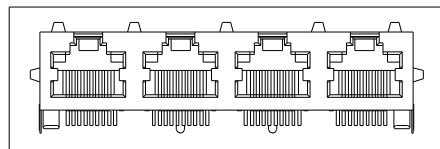
PORT / STACK / SHIELDING / LED

PORT

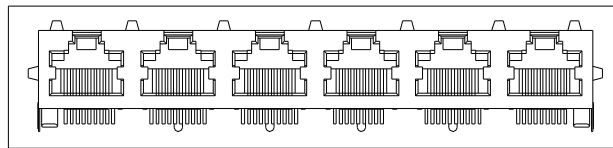
1X1... 1 PORT 1X2... 2PORT



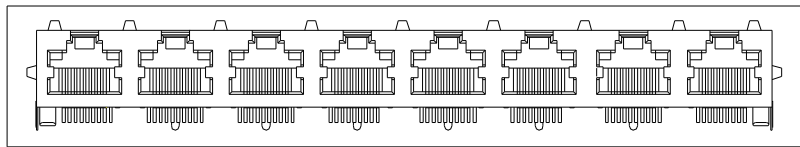
1X4... 4PORT



1X6... 6PORT

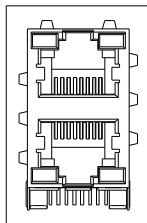


1X8... 8 PORT

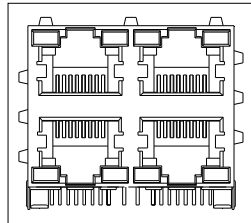


STACKED

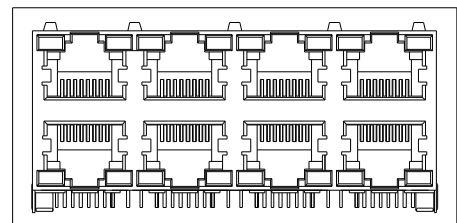
2X1... 2 PORT



2X2... 4 PORT



2X4... 8 PORT



SHIELDING

Without LED			With LED		
S	Sb	SbT	S	Sb	SbT

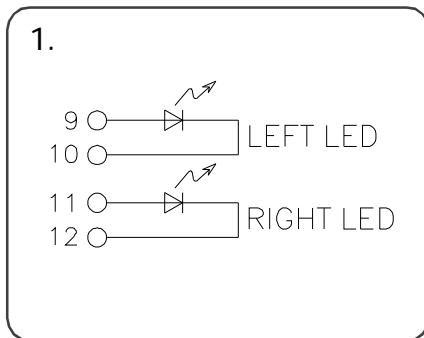
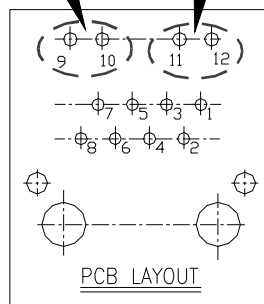
NOTE : SOME SIZES, STYLES AND OPTION ARE NON-STANDARD, NON-CANCELLABLE, NON-RETURNABLE

LED OPTION

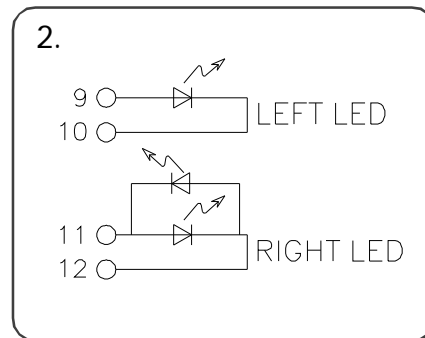
LX	LED 2 (LEFT)	LED 1 (RIGHT)
L1	YELLOW	GREEN
L2	GREEN	GREEN
L3	GREEN	YELLOW
L5	GREEN	RED
L7	YELLOW	YELLOW
L8	BI-COLOR G / Y	BI-COLOR G / Y
L9	YELLOW	BI-COLOR G / O
L10	BI-COLOR O / G	YELLOW
L11	BI-COLOR G / Y	GREEN
L12	GREEN	BI-COLOR G / Y
L13	GREEN	BI-COLOR G / O

Note: Y = YELLOW, G = GREEN, R = RED, O = ORANGE

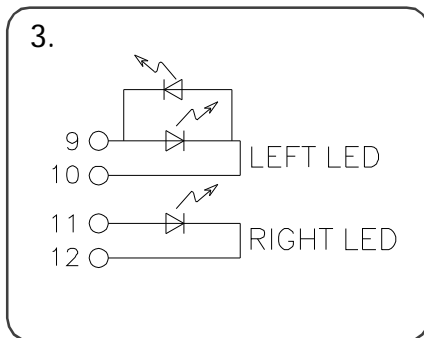
LEFT LED ————— RIGHT LED



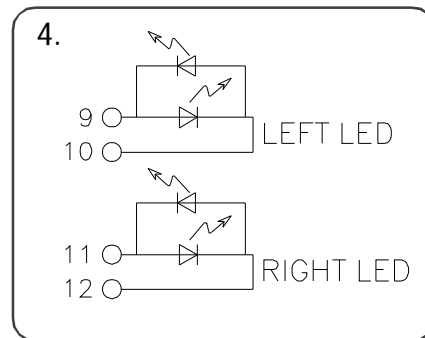
ONLY L1 / L2 / L3 / L5 / L7



ONLY L9 / L12 / L13



ONLY L10 / L11



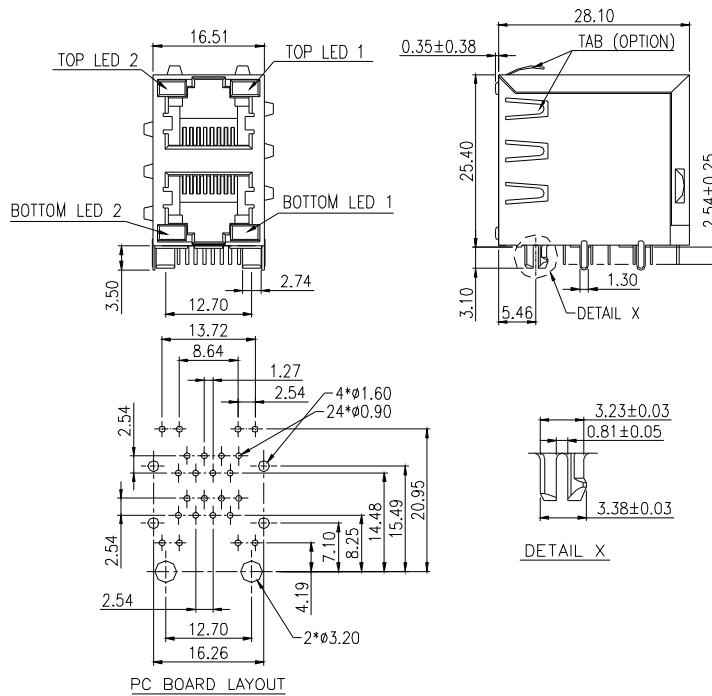
ONLY L8

NOTE : SOME SIZES, STYLES AND OPTION ARE NON-STANDARD, NON-CANCELLABLE, NON-RETURNABLE

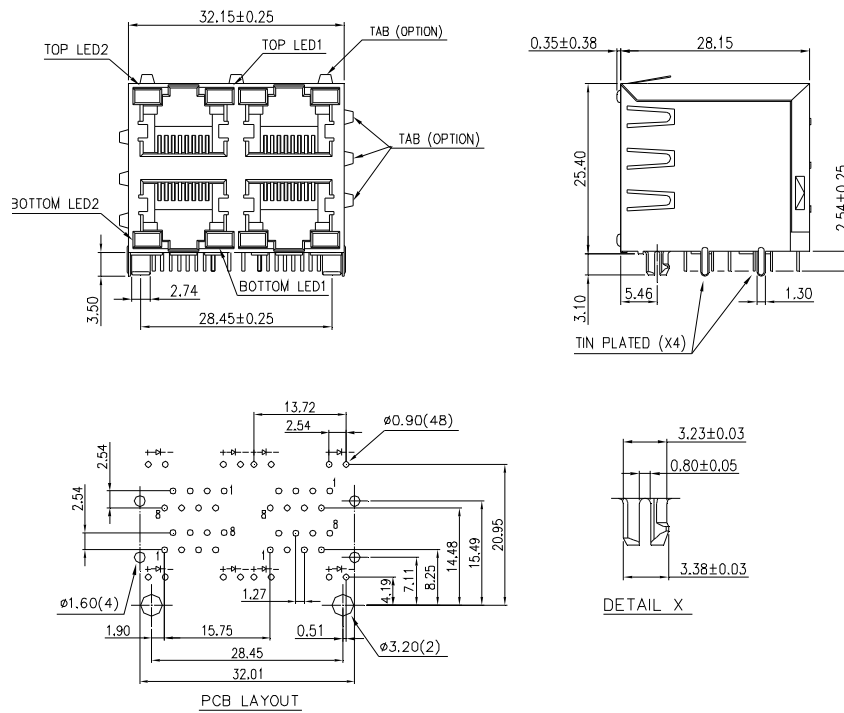
190 SERIES RJ45 With / Without LED Type RIGHT ANGLE TYPE - Pa

DIMENSION

2X1... 2 PORT-Sb-LED



2X2... 4 PORT-SbT-LED

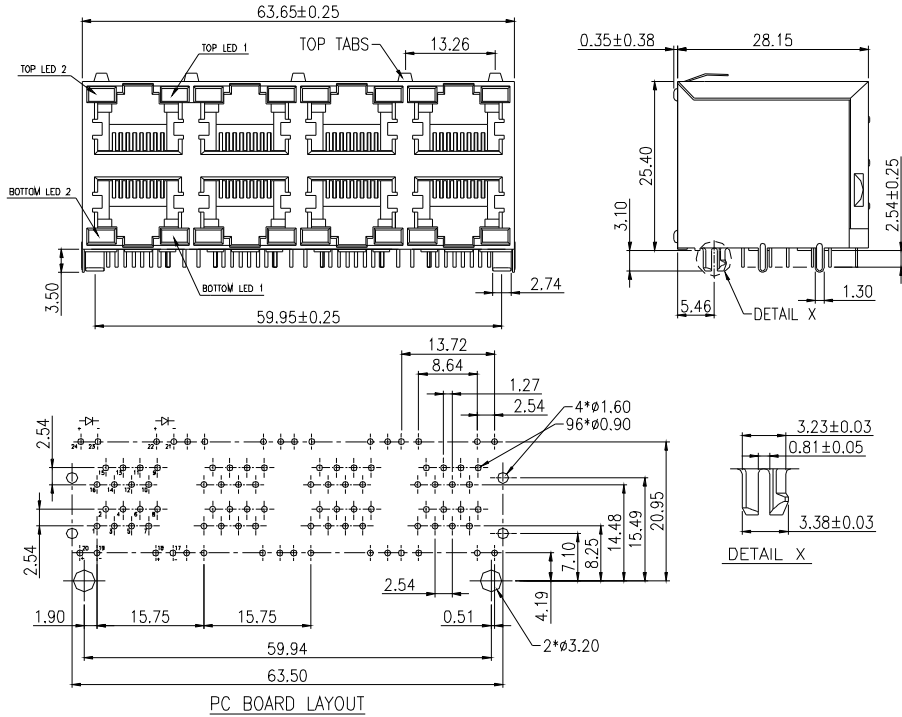


NOTE : SOME SIZES, STYLES AND OPTION ARE NON-STANDARD, NON-CANCELLABLE, NON-RETURNABLE

190 SERIES RJ45 With / Without LED Type RIGHT ANGLE TYPE - Pa

DIMENSION

2X4... 8 PORT-SbT-LED

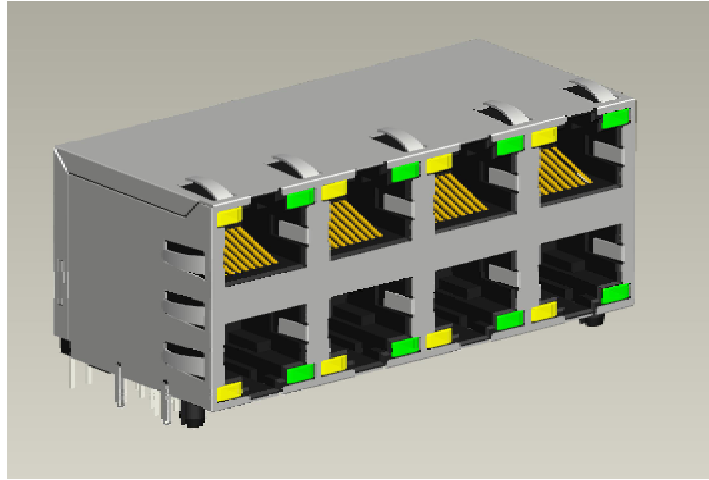


NOTE : SOME SIZES, STYLES AND OPTION ARE NON-STANDARD, NON-CANCELLABLE, NON-RETURNABLE

191 SERIES RJ45 STACKED With LED Type RIGHT ANGLE TYPE - Pa

2xN

With LED



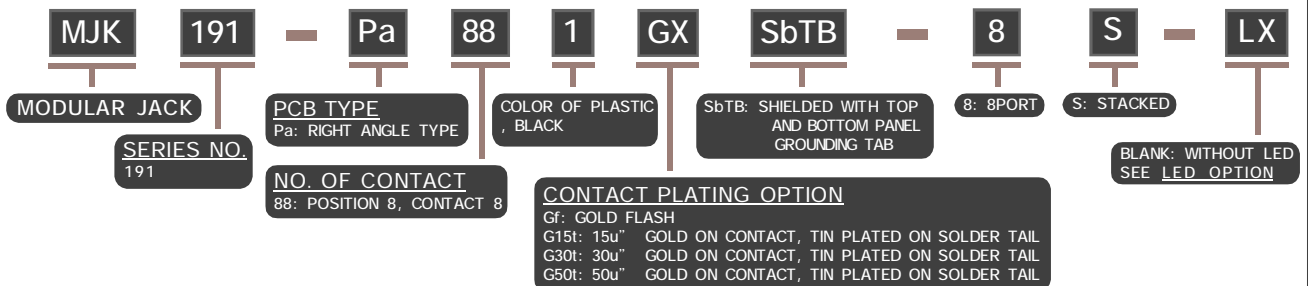
MATERIAL

- .. HOUSING: DSM STANYL TE250F6 (NYLON-46), HEAT DEFLECTION TEMP 290°, BLACK COLOR, UL94V-0.
- .. CONTACTS: 0.35mm THICK PHOS-BRONZE PLATED WITH HARD GOLD AND TIN/LEAD IN SOLD AREA.
- .. SHIELED: 0.25mm THICK COPPER ALLOY, PLATED WITH TIN-LEAD.

ELECTRICAL

- .. INSULATION RESISTANCE: 500MEGOHMS MINIMUM
- .. CURRENT RATING: 1.5AMPS
- .. VOLTAGE RATING: 150 VOLTS AC

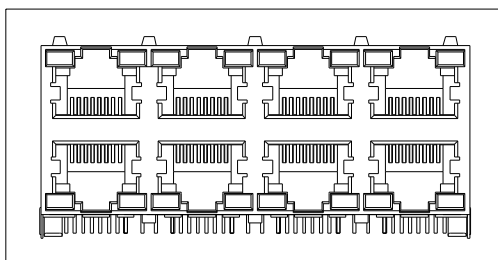
PART NO. INFORMATION



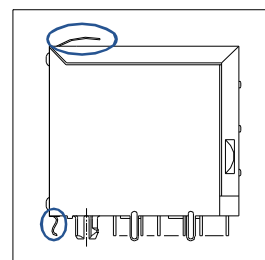
STACK / SHIELDING / LED

STACKED / SHIELDING

2X4... 8 PORT



SbTB



NOTE : SOME SIZES, STYLES AND OPTION ARE NON-STANDARD, NON-CANCELLABLE, NON-RETURNABLE

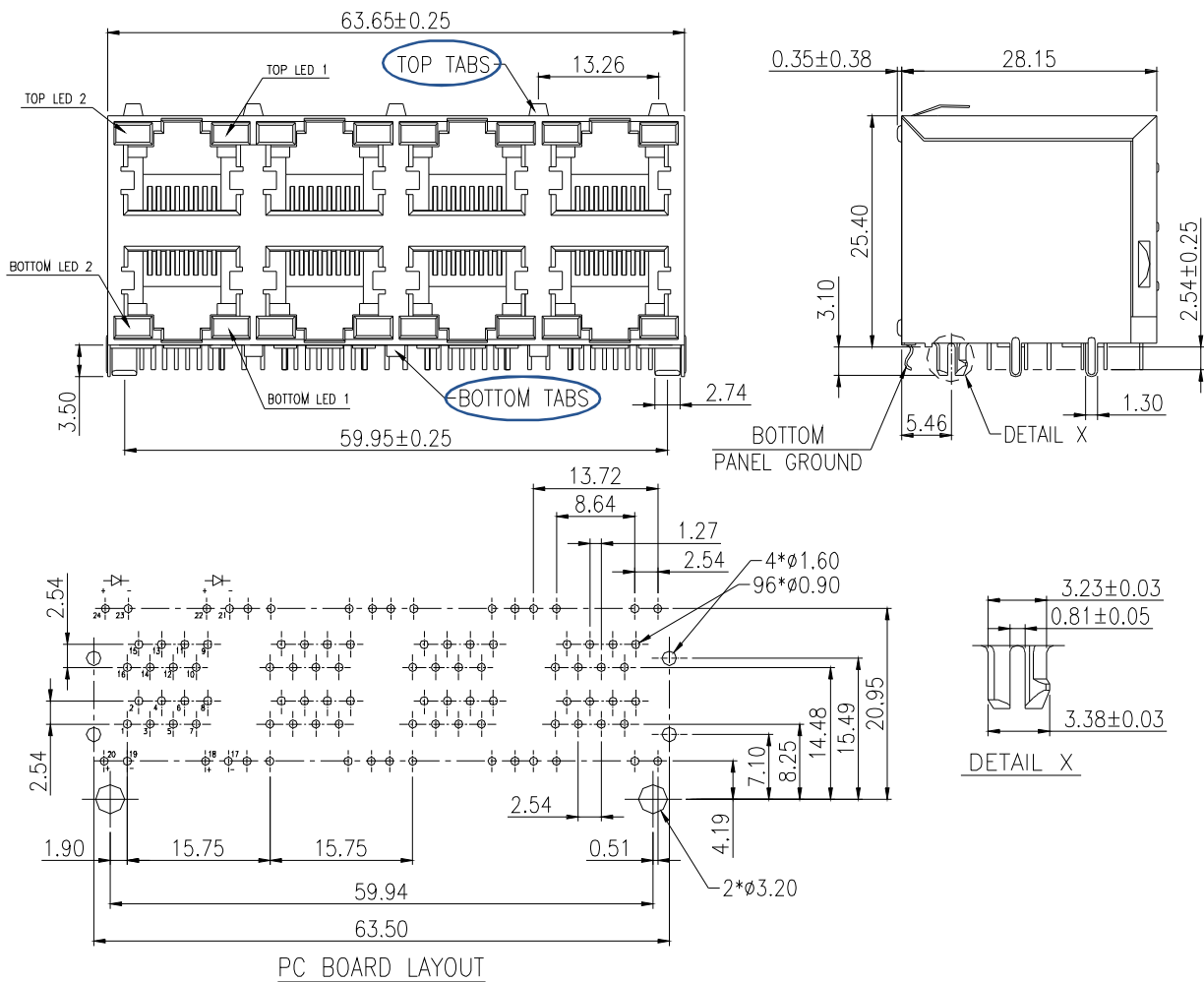
191 SERIES RJ45 With LED Type RIGHT ANGLE TYPE - Pa

LED OPTION

LX	LED 2 (LEFT)	LED 1 (RIGHT)
L1	YELLOW	GREEN
L2	GREEN	GREEN
L3	GREEN	YELLOW
L5	GREEN	RED
L7	YELLOW	YELLOW
L8	BI-COLOR G/Y	BI-COLOR G/Y
L9	YELLOW	BI-COLOR G/O
L10	BI-COLOR O/G	YELLOW
L11	BI-COLOR G/Y	GREEN
L12	GREEN	BI-COLOR G/Y
L13	GREEN	BI-COLOR G/O

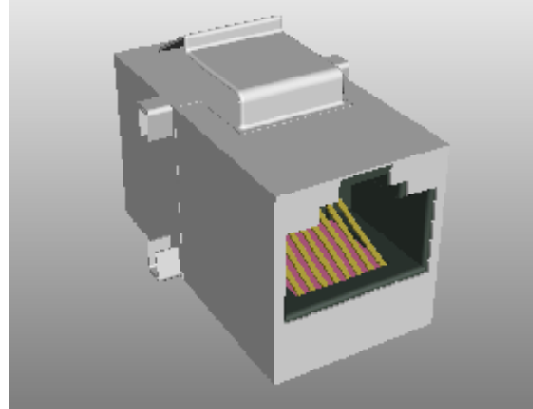
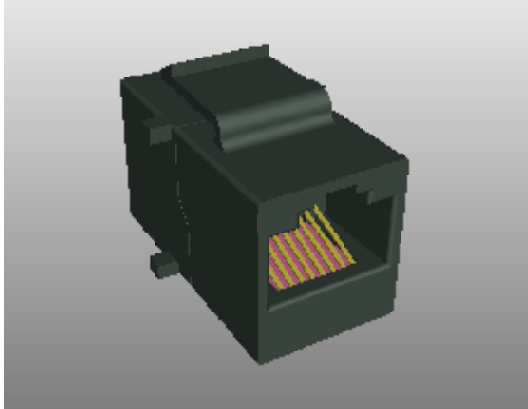
Note : Y = YELLOW, G = GREEN, R = RED, O = ORANGE

DIMENSION



NOTE : SOME SIZES, STYLES AND OPTION ARE NON-STANDARD, NON-CANCELLABLE, NON-RETURNABLE

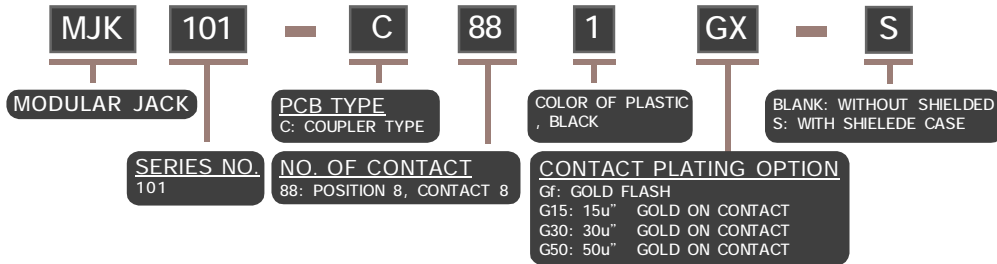
1 x 1



MATERIAL

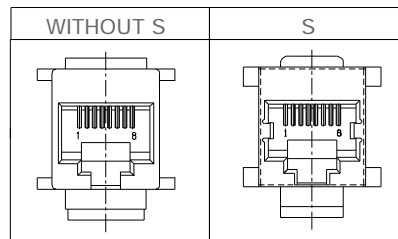
- .. PLASTIC HOUSING: ENGINEERING THERMOPLASTIC, FLAMMBILITY RATING 94V-0.
- .. CONTACTS: 0.35 MM PHOSPHOR BRONZE.
- .. PLATING: GOLD PLATING OVER NICKEL IN CONTACT.

PART NO. INFORMATION



SHIELDING

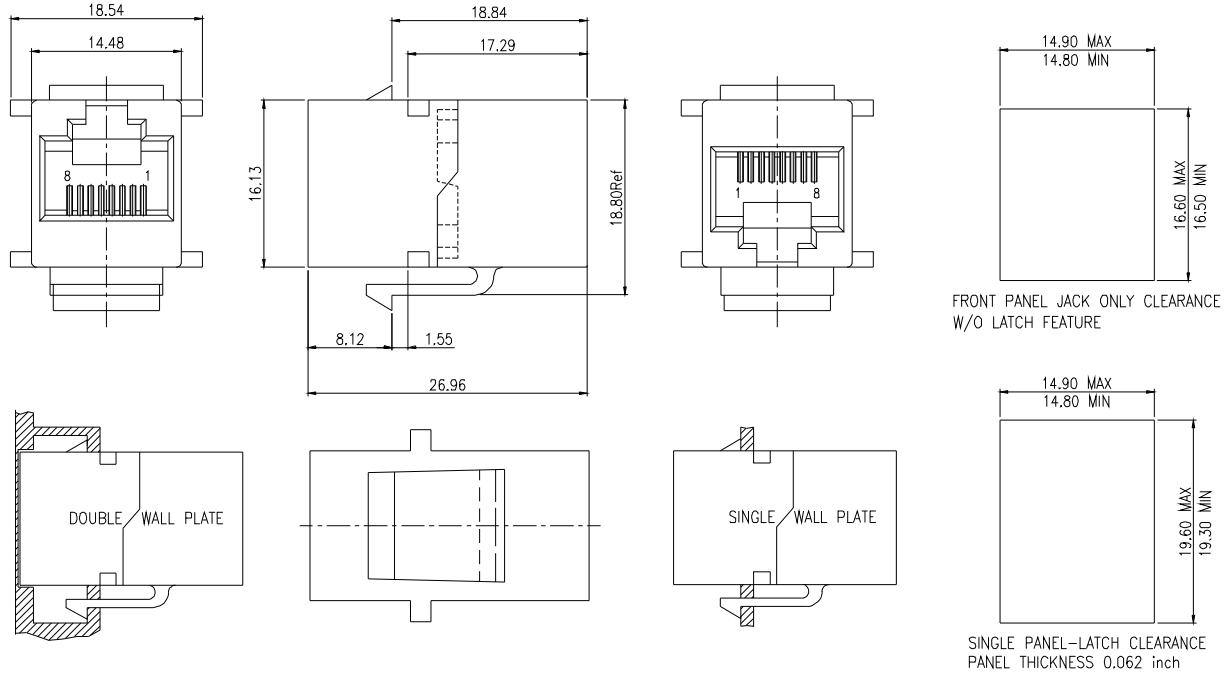
SHIELDING



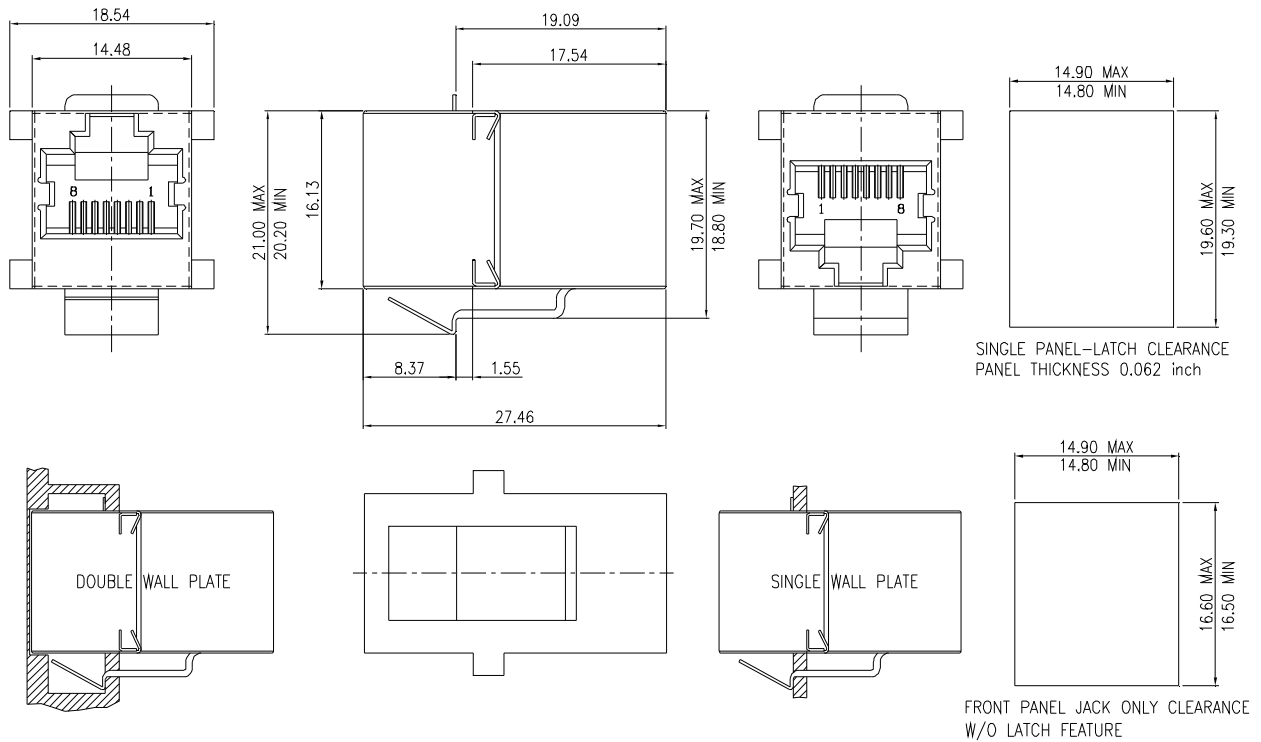
NOTE : SOME SIZES, STYLES AND OPTION ARE NON-STANDARD, NON-CANCELLABLE, NON-RETURNABLE

DIMENSION

1X1... 1 PORT

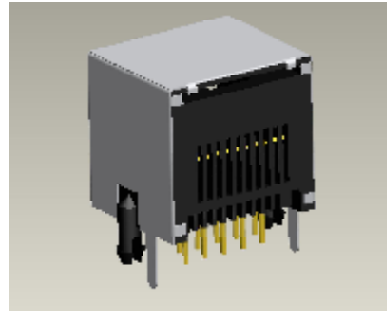
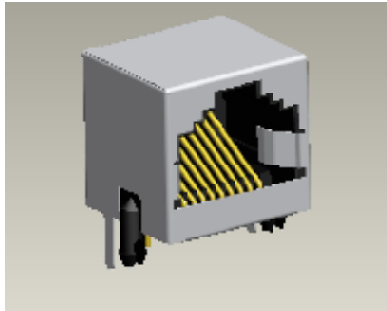


1X1... 1 PORT - S



NOTE : SOME SIZES, STYLES AND OPTION ARE NON-STANDARD, NON-CANCELLABLE, NON-RETURNABLE

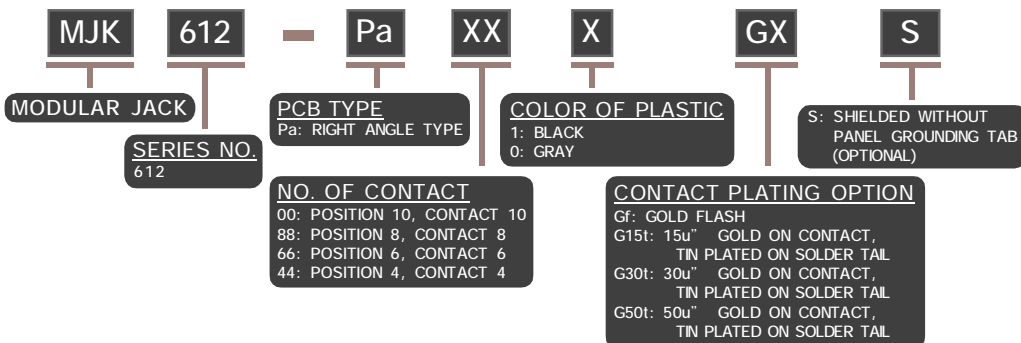
1x1



MATERIAL

- .. HOUSING: PBT POLYESTER UL-94V-0 MIXED GLASS FIBER.
- .. STANDARD COLOR: BLACK
- .. CONTACTS: 0.45 MM PHOSPHOR BRONZE
- .. SHIELD: 0.25 MM COPPER ALLOY PLATED WITH NICKEL.
- CAVITY CONFIRMS TO FCC RULES AND REGULATIONS PART 68, SUBPART F

PART NO. INFORMATION



CONTACT / SHIELDING

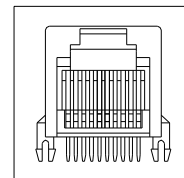
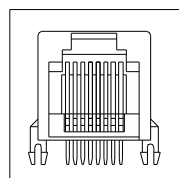
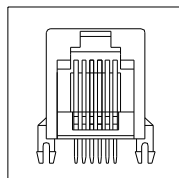
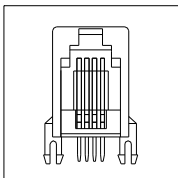
CONTACT

1X1... 4P4C

1X1... 6P6C

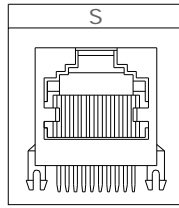
1X1... 8P8C

1X1... 10P10C



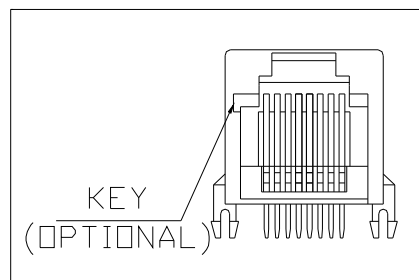
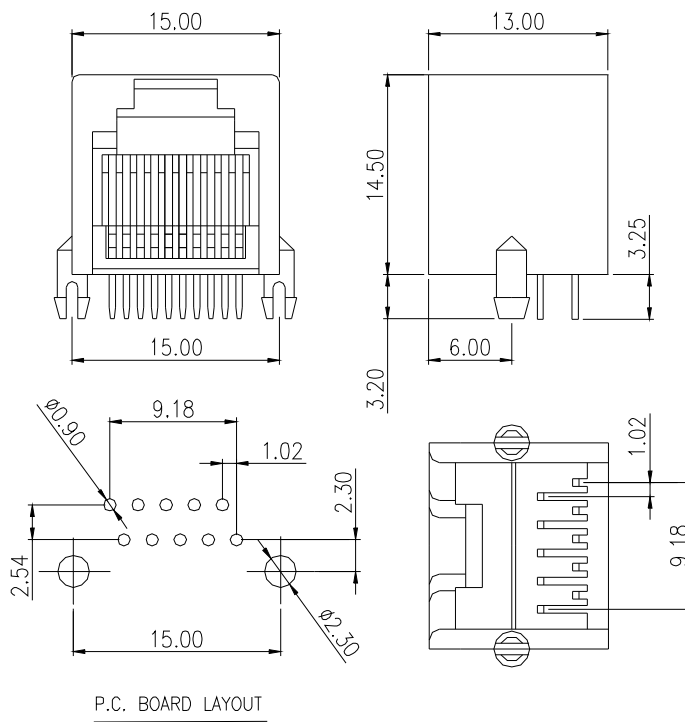
NOTE : SOME SIZES, STYLES AND OPTION ARE NON-STANDARD, NON-CANCELLABLE, NON-RETURNABLE

SHIELDING



DIMENSION

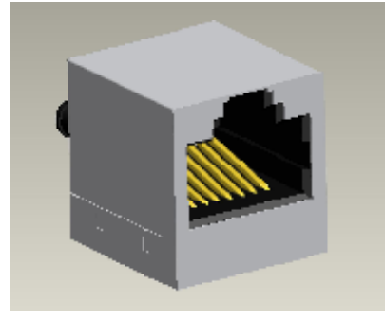
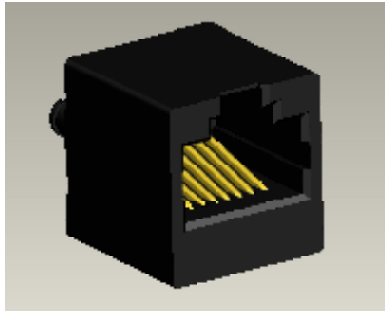
1X1...1 PORT



NOTE : SOME SIZES, STYLES AND OPTION ARE NON-STANDARD, NON-CANCELLABLE, NON-RETURNABLE

647 SERIES RJ45 8P8C SHIELDING STRAIGHT TYPE - P

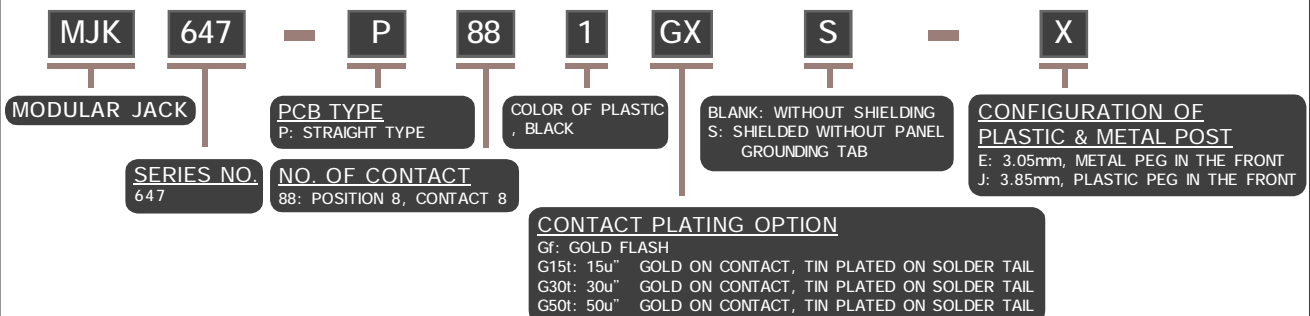
1 x 1



MATERIAL

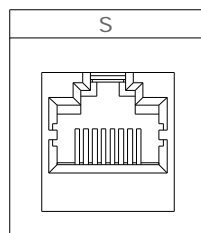
- .. HOUSING: PBT POLYESTER UL-94V-0 MIXED GLASS FIBER.
- .. STANDARD COLOR: BLACK
- .. CONTACTS: 0.45 MM DIM. PHOSPHOR BRONZE, PLATED WITH HARD GOLD
- .. SHIELD: 0.25 MM THICK COPPER ALLOY, PLATED WITH TIN/LEAD.
- CAVITY CONFIRMS TO FCC RULES AND REGULATIONS PART 68, SUBPART F

PART NO. INFORMATION

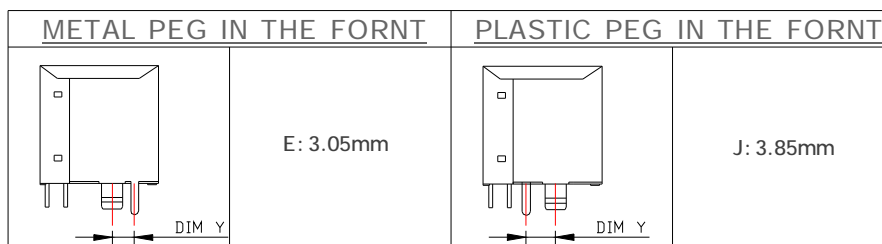


SHIELDING/CONFIGURATION

SHIELDING



CONFIGURATION

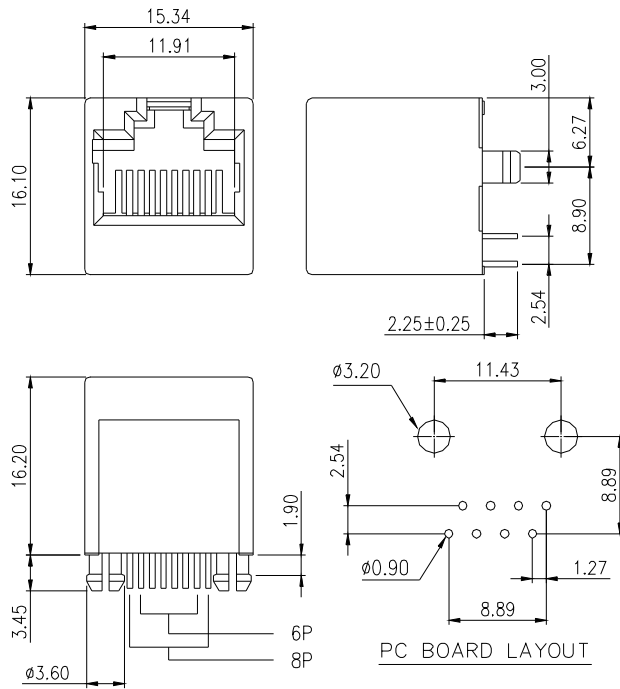


NOTE : SOME SIZES, STYLES AND OPTION ARE NON-STANDARD, NON-CANCELLABLE, NON-RETURNABLE

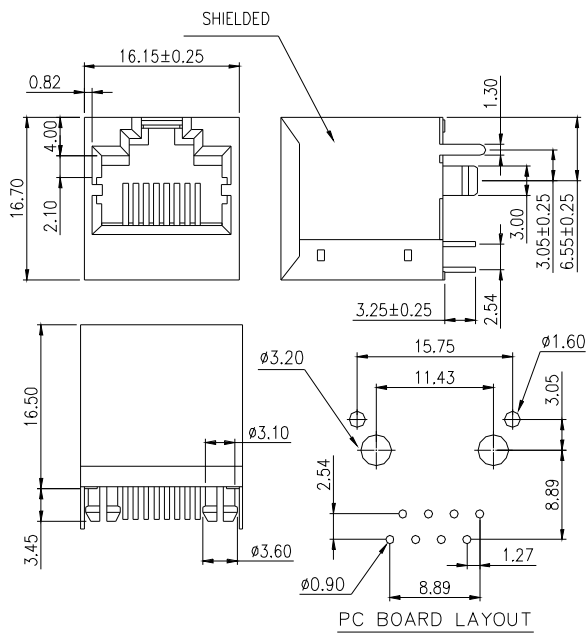
647 SERIES RJ45 8P8C SHIELDING STRAIGHT TYPE - P

DIMENSION

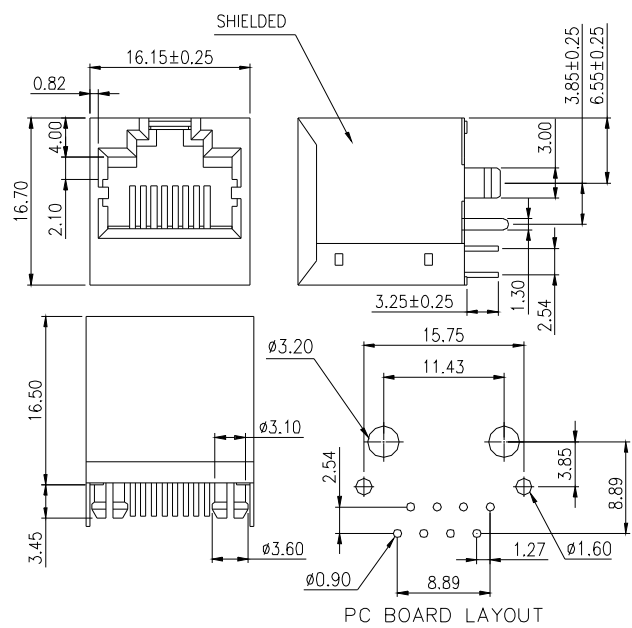
1X1... 1 PORT



1X1... 1 PORT- S - E

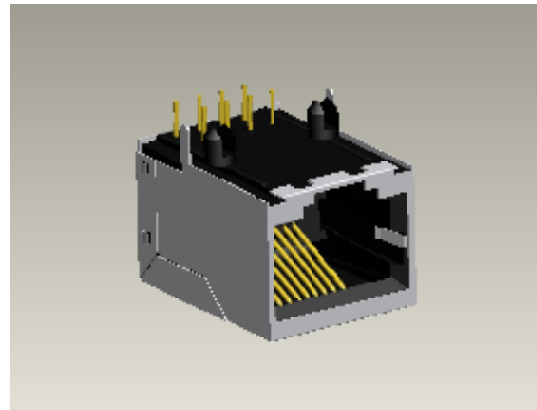
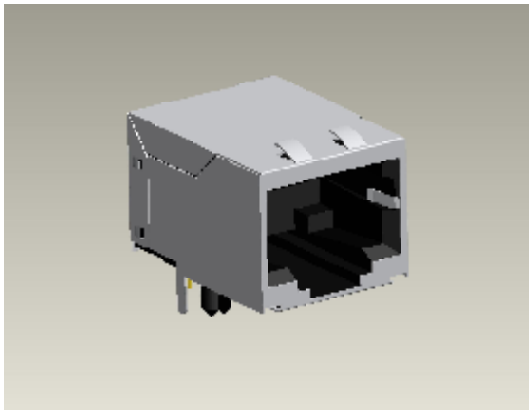
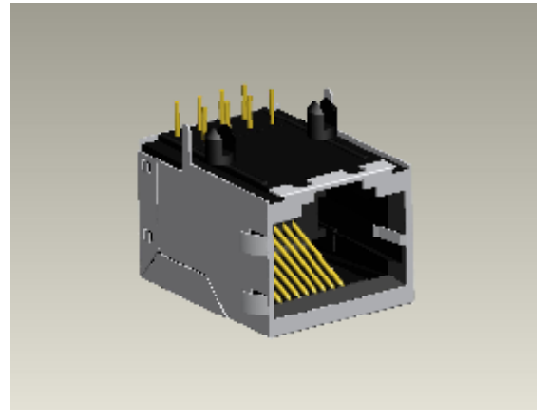
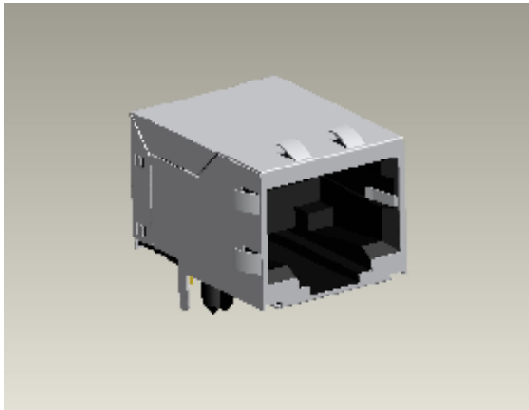
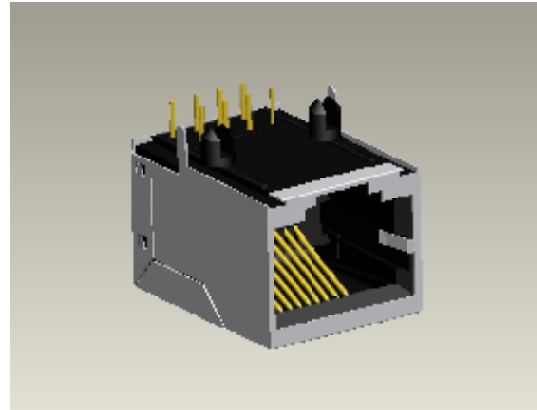
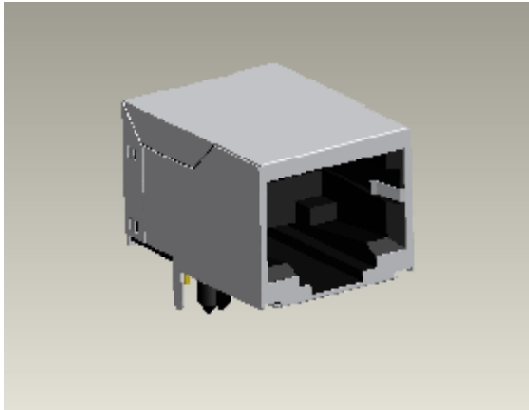


1X1... 1 PORT- S - J



NOTE : SOME SIZES, STYLES AND OPTION ARE NON-STANDARD, NON-CANCELLABLE, NON-RETURNABLE

1xN Tab Down



ELECTRICAL CHARACTERISTICS

- .. CURRENT RATING: 1A MAX.
- .. VOLTAGE RATING: 1.50 VAC MAX.
- .. CONTACT RESISTANCE: 20 mΩ MAX. (30mΩ MAX. AFTER ENVIRONMENTAL EXPOSURE).
- .. DIELECTRIC WITHSTANDING VOLTAGE: @ 1,000 VRMS. 1 MIN. (60HZ) BETWEEN ADJACENT CONTACTS.
@ 1,500 VRMS. 1 MIN. (60HZ) BETWEEN SHIELD AND CONTACTS.
- .. INSULATION RESISTANCE: 500 MΩ /100VDC MIN. BETWEEN ADJACENT CONTACTS.
(200 MΩ /100VDC MIN. AFTER ENVIRONMENTAL EXPOSURE).



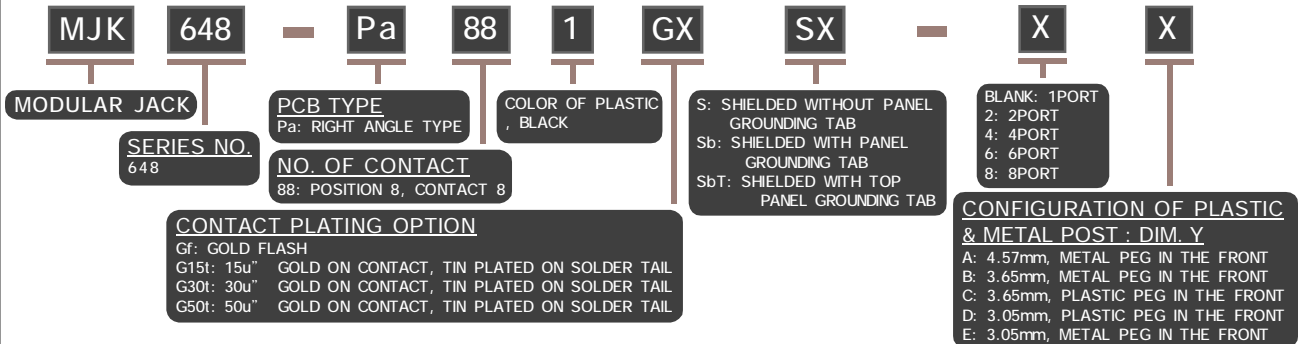
ENVIRONMENTAL

- .. OPERATING TEMPERATURE: -40°C TO 70°C

NOTE : SOME SIZES, STYLES AND OPTION ARE NON-STANDARD, NON-CANCELLABLE, NON-RETURNABLE

648 SERIES RJ45 8P8C RIGHT ANGLE TYPE - Pa

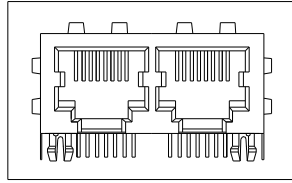
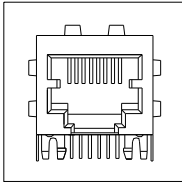
PART NO. INFORMATION



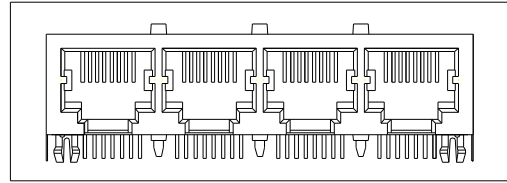
PORT / SHIELDING / CONFIGURATION

PORT

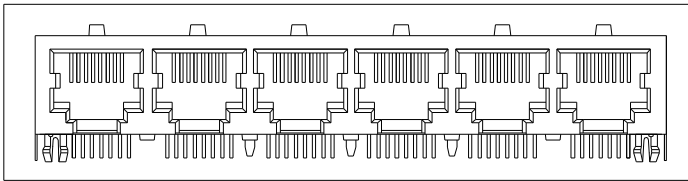
1X1... 1 PORT 1X2... 2PORT



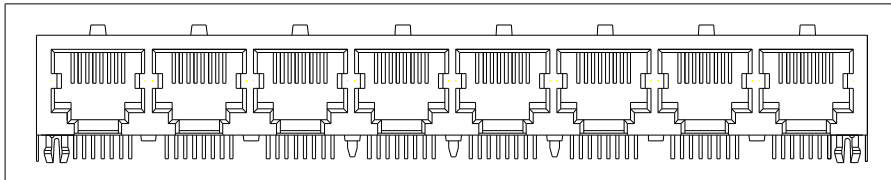
1X4... 4PORT



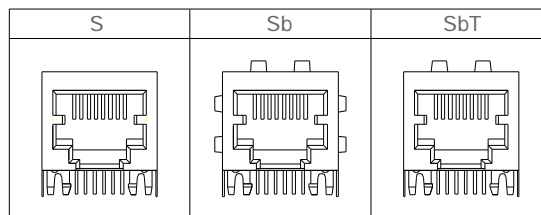
1X6... 6PORT



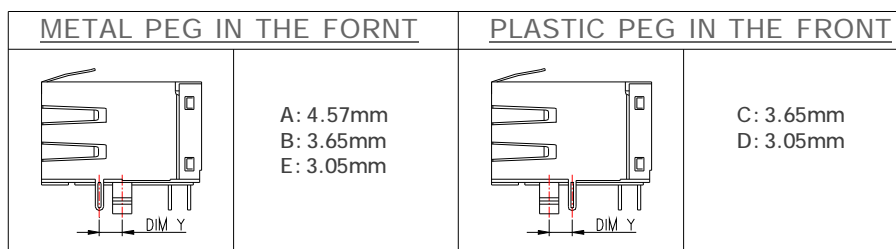
1X8... 8 PORT



SHIELDING



CONFIGURATION

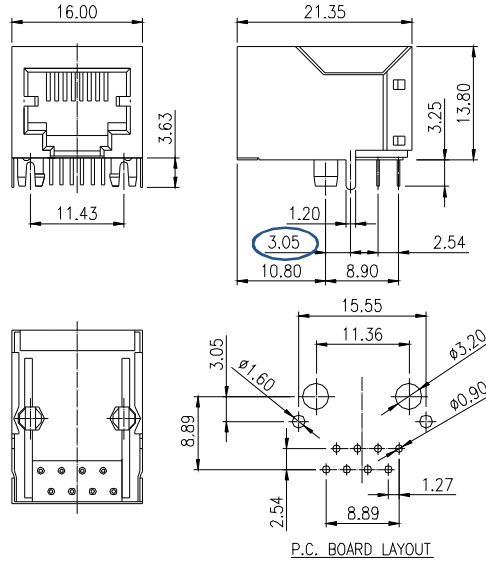


NOTE : SOME SIZES, STYLES AND OPTION ARE NON-STANDARD, NON-CANCELLABLE, NON-RETURNABLE

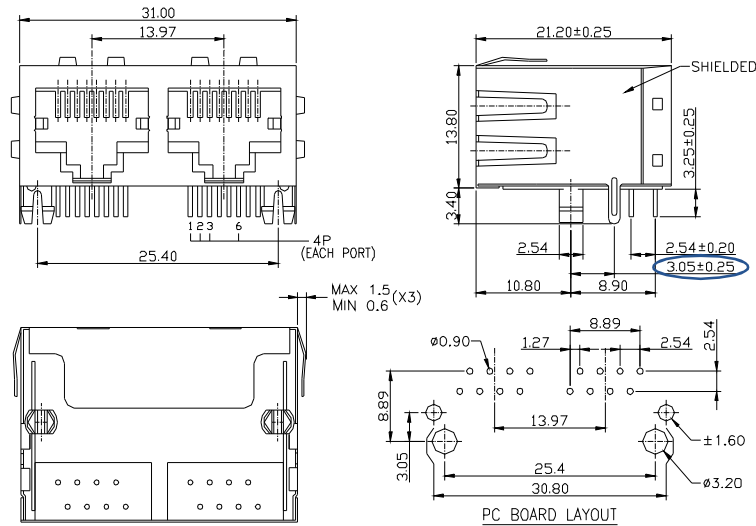
648 SERIES RJ45 8P8C RIGHT ANGLE TYPE - Pa

DIMENSION

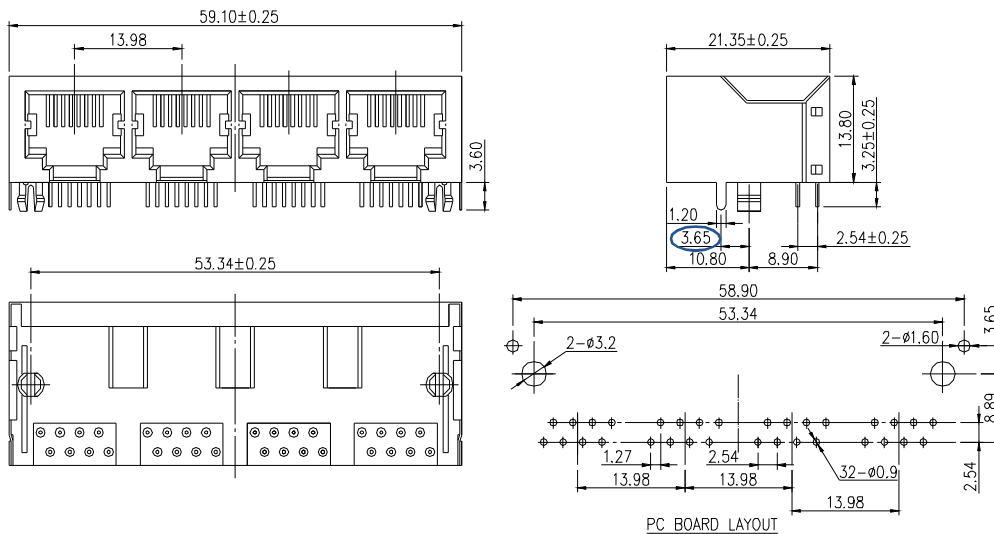
1X1... 1 PORT-S-D



1X2... 2 PORT-Sb-2D



1X4... 4 PORT-S-4B

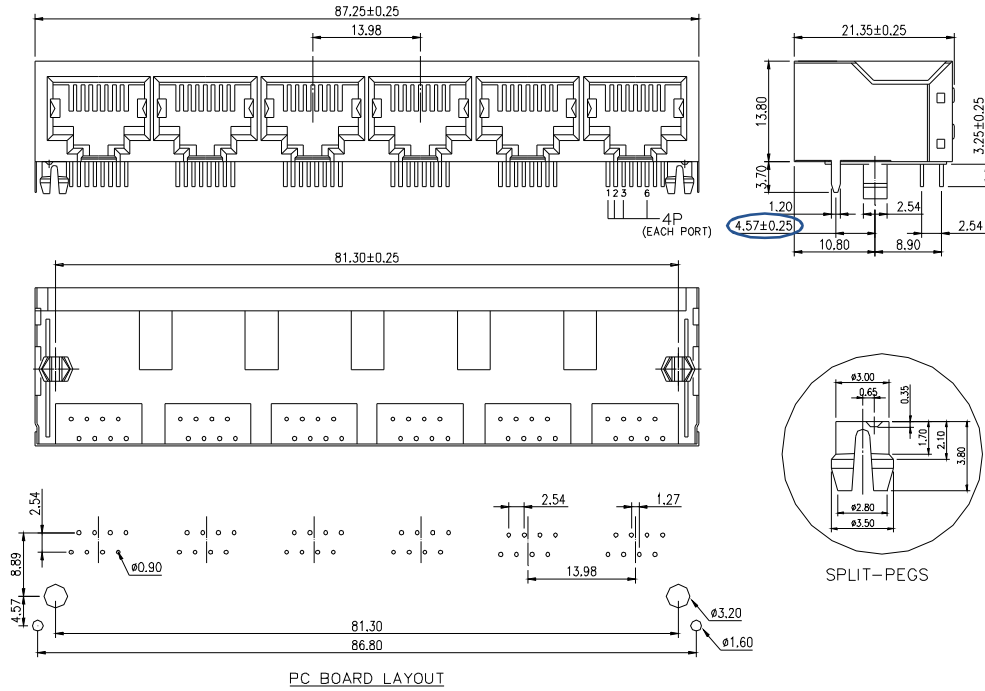


NOTE : SOME SIZES, STYLES AND OPTION ARE NON-STANDARD, NON-CANCELLABLE, NON-RETURNABLE

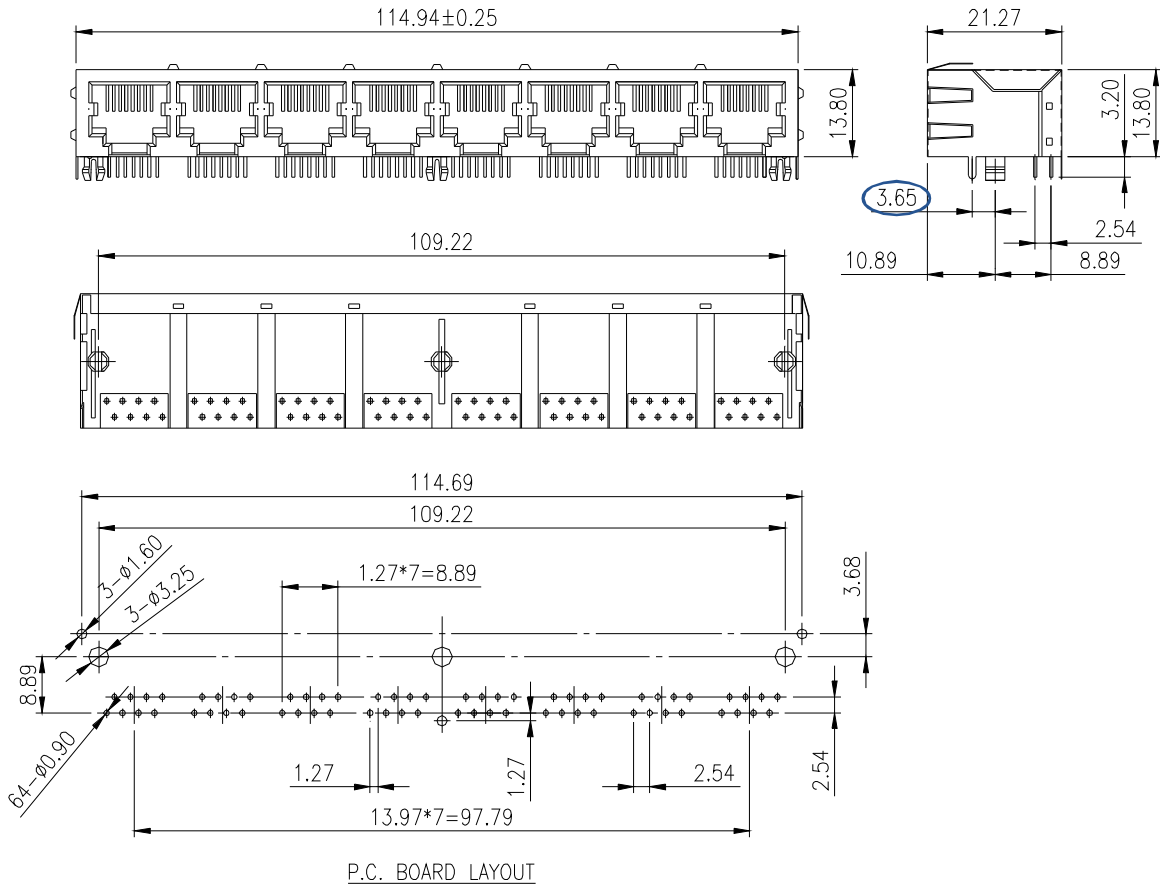
648 SERIES RJ45 8P8C RIGHT ANGLE TYPE - Pa

DIMENSION

1X6... 6 PORT-S-6A

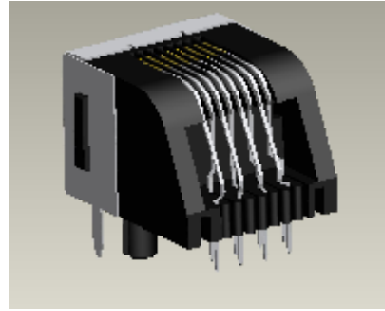
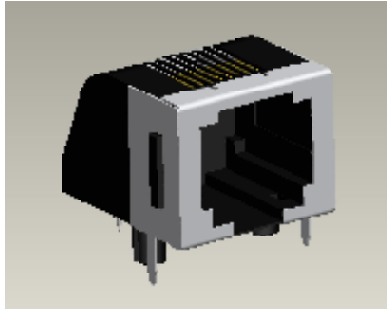


1X8... 8 PORT-Sb-8B



NOTE : SOME SIZES, STYLES AND OPTION ARE NON-STANDARD, NON-CANCELLABLE, NON-RETURNABLE

1x1 Tab Down



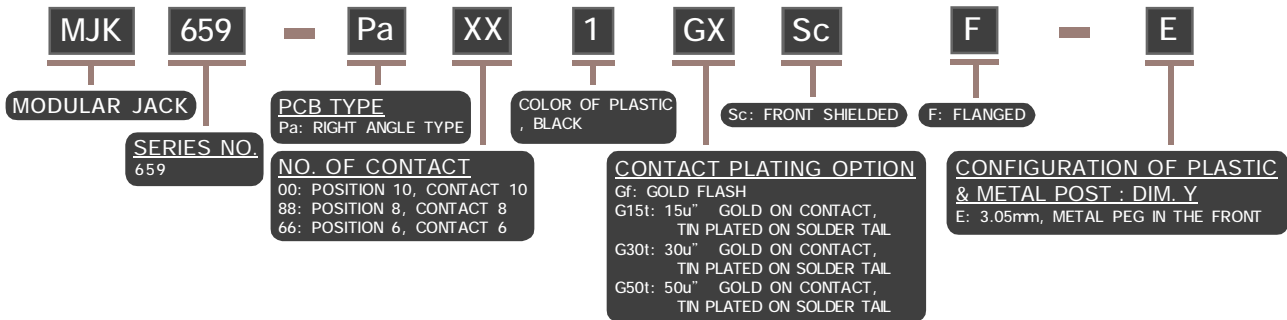
ELECTRICAL CHARACTERISTICS

- .. CURRENT RATING: 1A MAX.
- .. VOLTAGE RATING: 1 50 VAC MAX.
- .. CONTACT RESISTANCE: 20 MW MAX. (30MW MAX. AFTER ENVIRONMENTAL EXPOSURE).
- .. DIELECTRIC WITHSTANDING VOLTAGE: @1,000 VRMS. 1 MIN. (60HZ) BETWEEN ADJACENT CONTACTS.
@ 1,500 VRMS. 1 MIN. (60HZ) BETWEEN SHIELD AND CONTACTS.
- .. INSULATION RESISTANCE: 500 MW /100VDC MIN. BETWEEN ADJACENT CONTACTS.
(200 MW /100VDC MIN. AFTER ENVIRONMENTAL EXPOSURE).

ENVIRONMENTAL

- .. OPERATING TEMPERATURE: -40°C TO 70°C

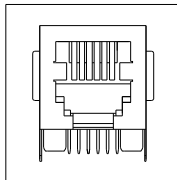
PART NO. INFORMATION



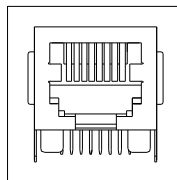
CONTACT / SHIELDING / CONFIGURATION

CONTACT

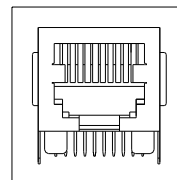
1X1... 6P6C



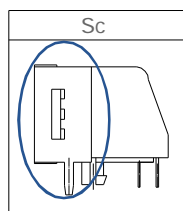
1X1... 8P8C



1X1... 10P10C

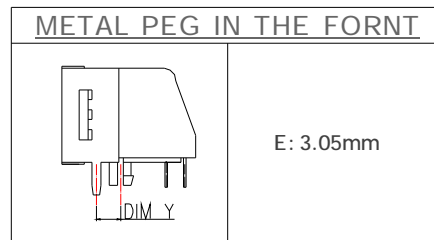


SHIELDING



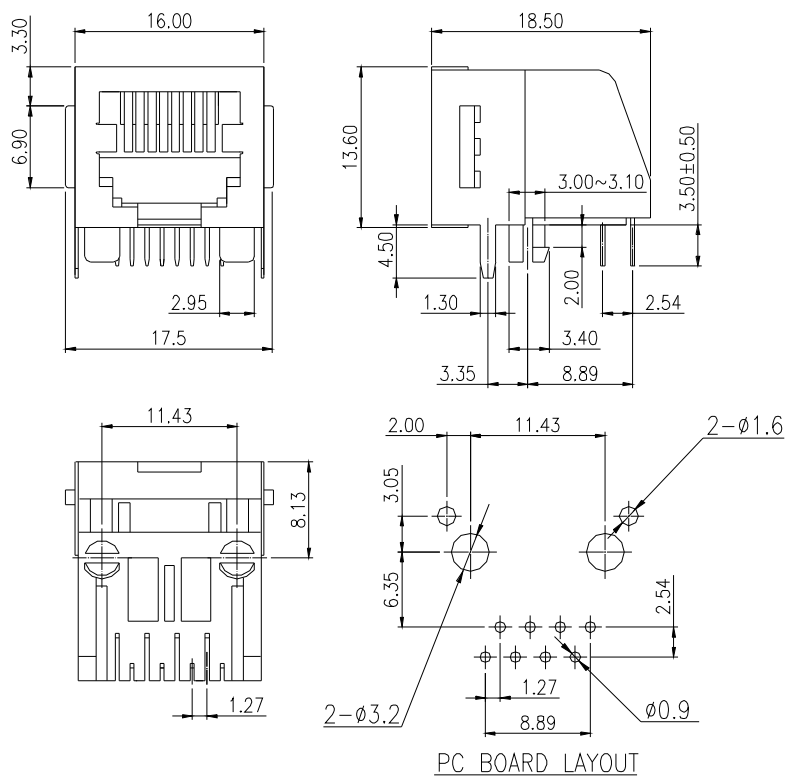
NOTE : SOME SIZES, STYLES AND OPTION ARE NON-STANDARD, NON-CANCELLABLE, NON-RETURNABLE

CONFIGURATION



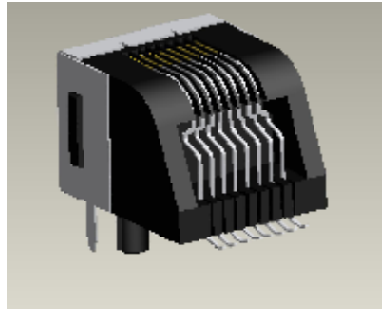
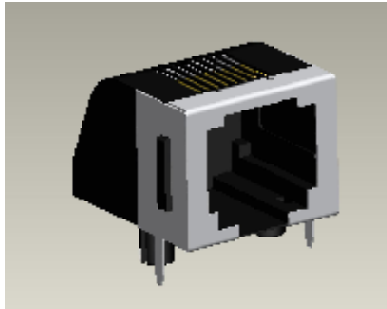
DIMENSION

1X1... 1 PORT-ScF-E



NOTE : SOME SIZES, STYLES AND OPTION ARE NON-STANDARD, NON-CANCELLABLE, NON-RETURNABLE

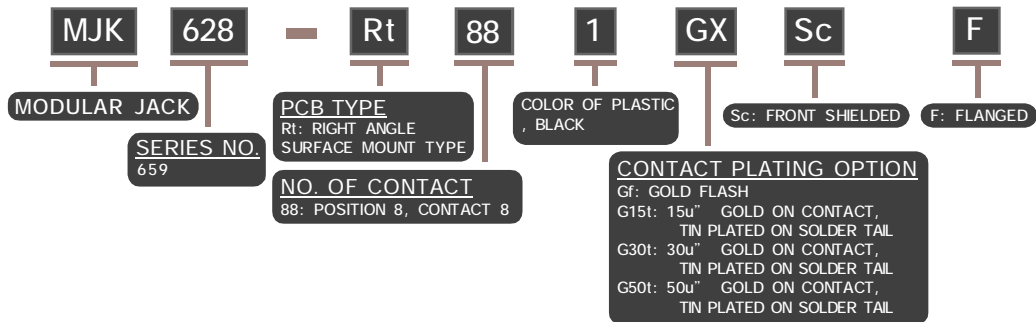
1 x 1



MATERIAL

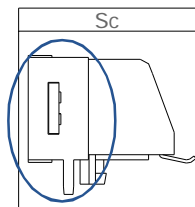
- .. HOUSING: PBT POLYESTER UL-94V-0 MIXED GLASS FIBER.
 - .. STANDARD COLOR: BLACK
 - .. CONTACTS: 0.35 MM PHOSPHOR BRONZE, PLATED WITH HARD GOLD AND TIN LEAD IN SOLDER AREA.
 - .. SHIELD: 0.25 MM COPPER ALLOY PLATED WITH TIN LEAD
- CAVITY CONFIRMS TO FCC RULES AND REGULATIONS PART 68, SUBPART F

PART NO. INFORMATION



SHIELDING

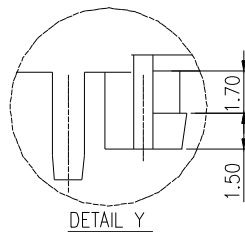
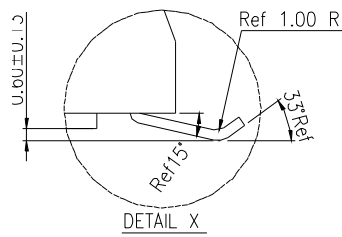
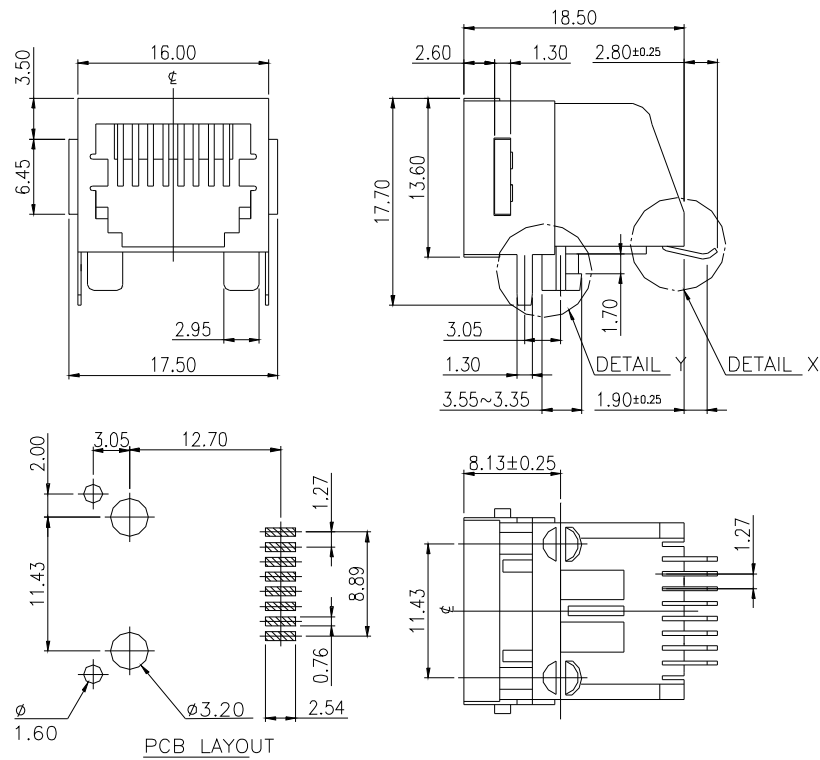
SHIELDING



NOTE : SOME SIZES, STYLES AND OPTION ARE NON-STANDARD, NON-CANCELLABLE, NON-RETURNABLE

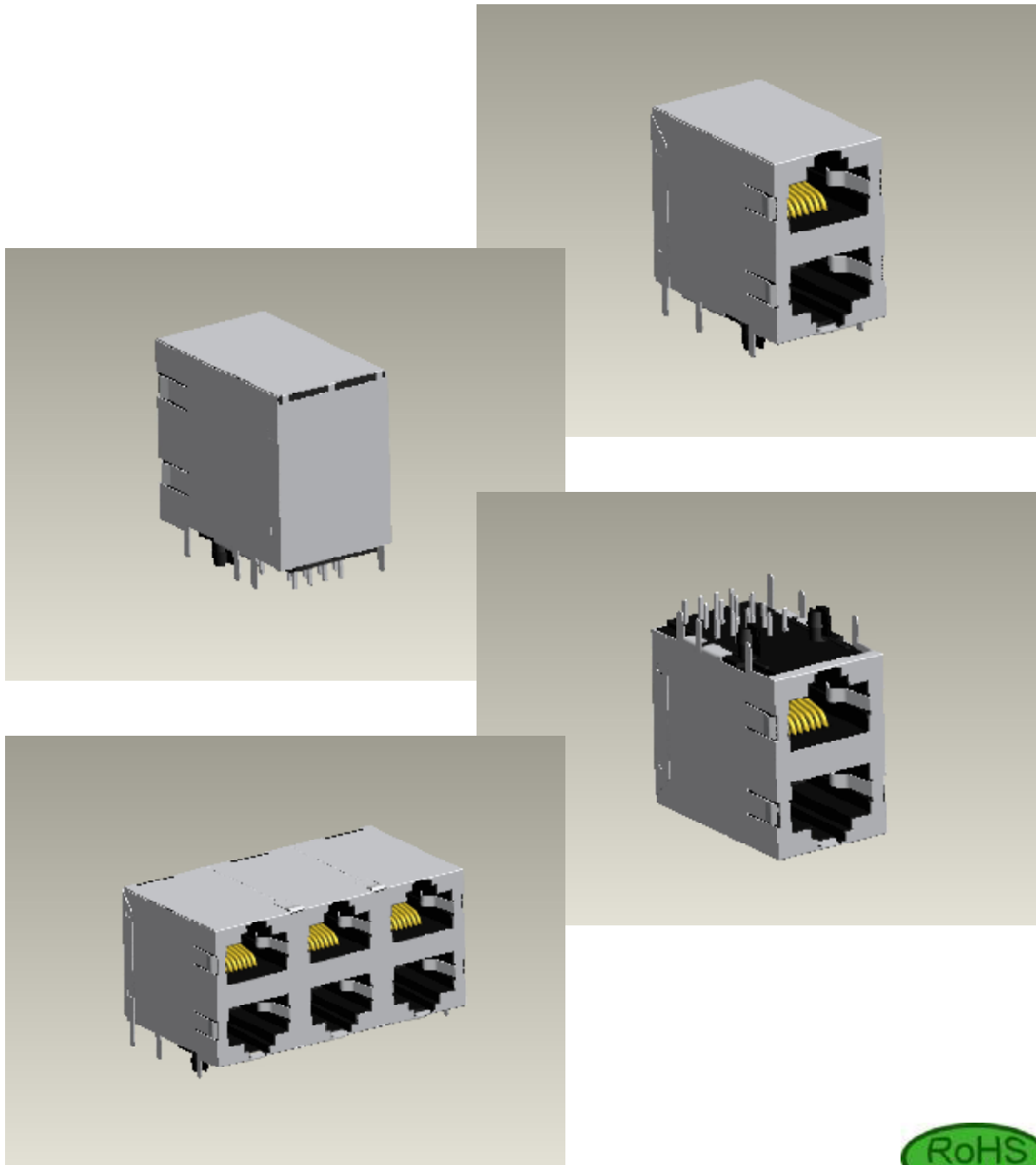
DIMENSION

1X1... 1 PORT



NOTE : SOME SIZES, STYLES AND OPTION ARE NON-STANDARD, NON-CANCELLABLE, NON-RETURNABLE

2xN



ELECTRICAL CHARACTERISTICS

- .. CURRENT RATING: 1A MAX.
- .. VOLTAGE RATING: 1 50 VAC MAX.
- .. CONTACT RESISTANCE: 20 MW MAX. (30MW MAX. AFTER ENVIRONMENTAL EXPOSURE).
- .. DIELECTRIC WITHSTANDING VOLTAGE: @ 1,000 VRMS. 1 MIN. (60HZ) BETWEEN ADJACENT CONTACTS.
@ 1,500 VRMS. 1 MIN. (60HZ) BETWEEN SHIELD AND CONTACTS.
- .. INSULATION RESISTANCE: 500 MW /100VDC MIN. BETWEEN ADJACENT CONTACTS.
(200 MW /100VDC MIN. AFTER ENVIRONMENTAL EXPOSURE).

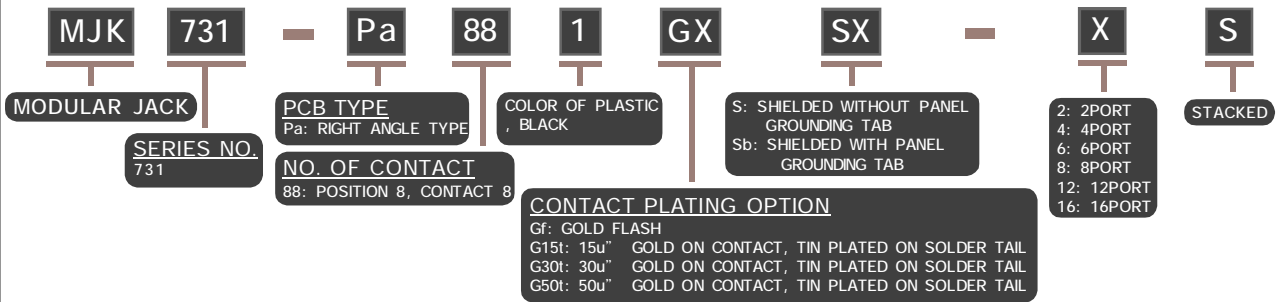
ENVIRONMENTAL

- .. OPERATING TEMPERATURE: -40°C TO 70°C

NOTE : SOME SIZES, STYLES AND OPTION ARE NON-STANDARD, NON-CANCELLABLE, NON-RETURNABLE

731 SERIES RJ45 8P8C With SHIELDING w/TAB RIGHT ANGLE TYPE - Pa

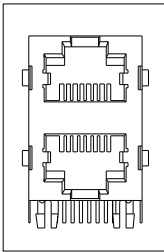
PART NO. INFORMATION



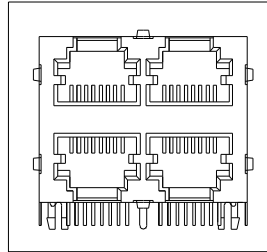
PORT / SHIELDING

PORT

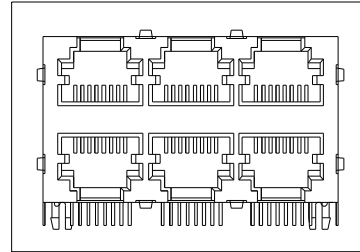
2X1... 2 PORT



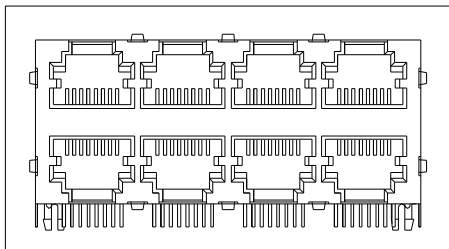
2X2... 4 PORT



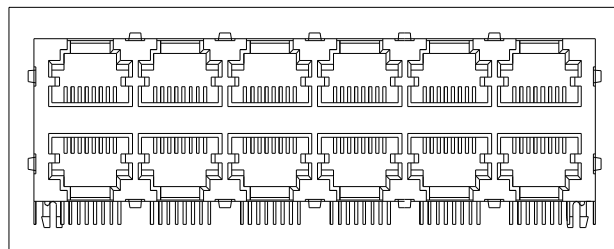
2X3... 6 PORT



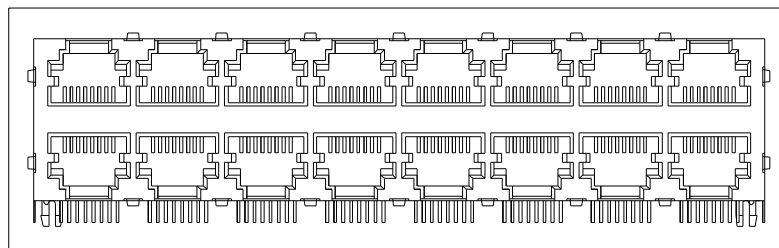
2X4... 8 PORT



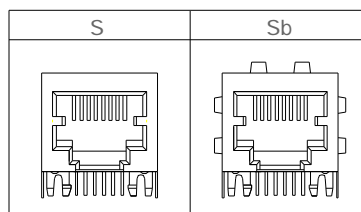
2X6... 12 PORT



2X8... 16 PORT



SHIELDING

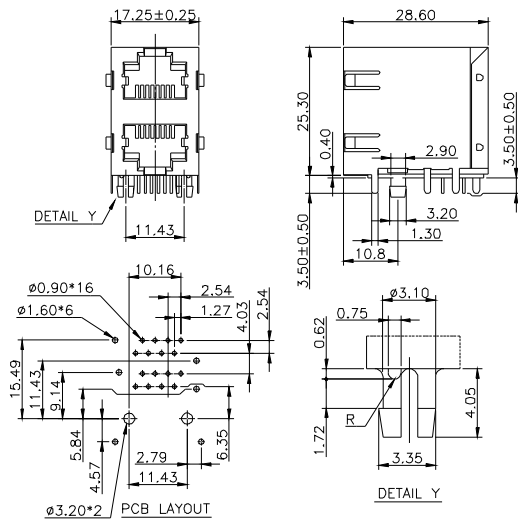


NOTE : SOME SIZES, STYLES AND OPTION ARE NON-STANDARD, NON-CANCELLABLE, NON-RETURNABLE

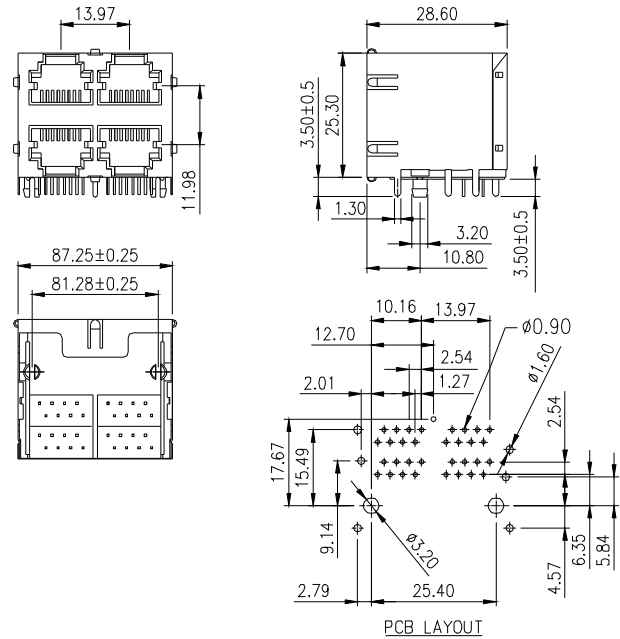
731 SERIES RJ45 8P8C With SHIELDING w/TAB RIGHT ANGLE TYPE - Pa

DIMENSION

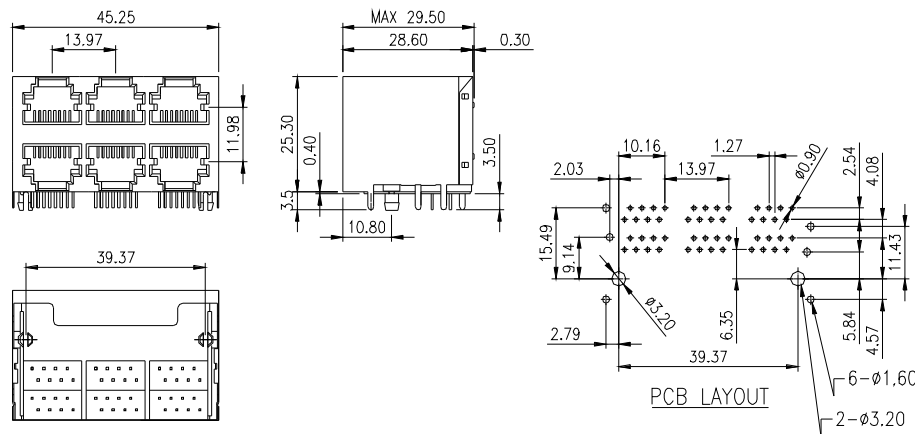
2X1... 2 PORT-Sb



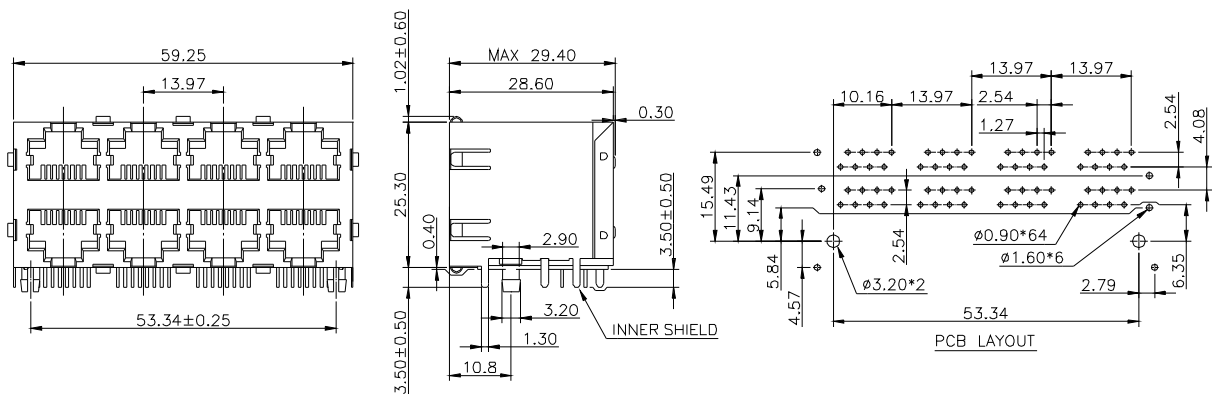
2X2... 4 PORT-Sb



2X3... 6 PORT-S



2X4... 8 PORT-Sb

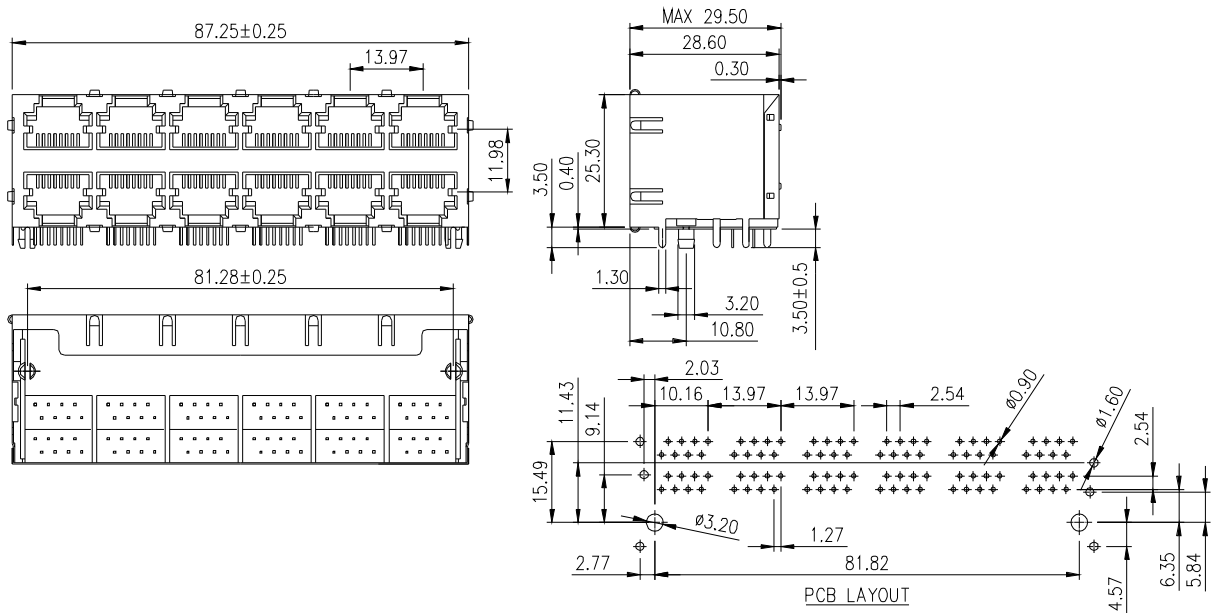


NOTE : SOME SIZES, STYLES AND OPTION ARE NON-STANDARD, NON-CANCELLABLE, NON-RETURNABLE

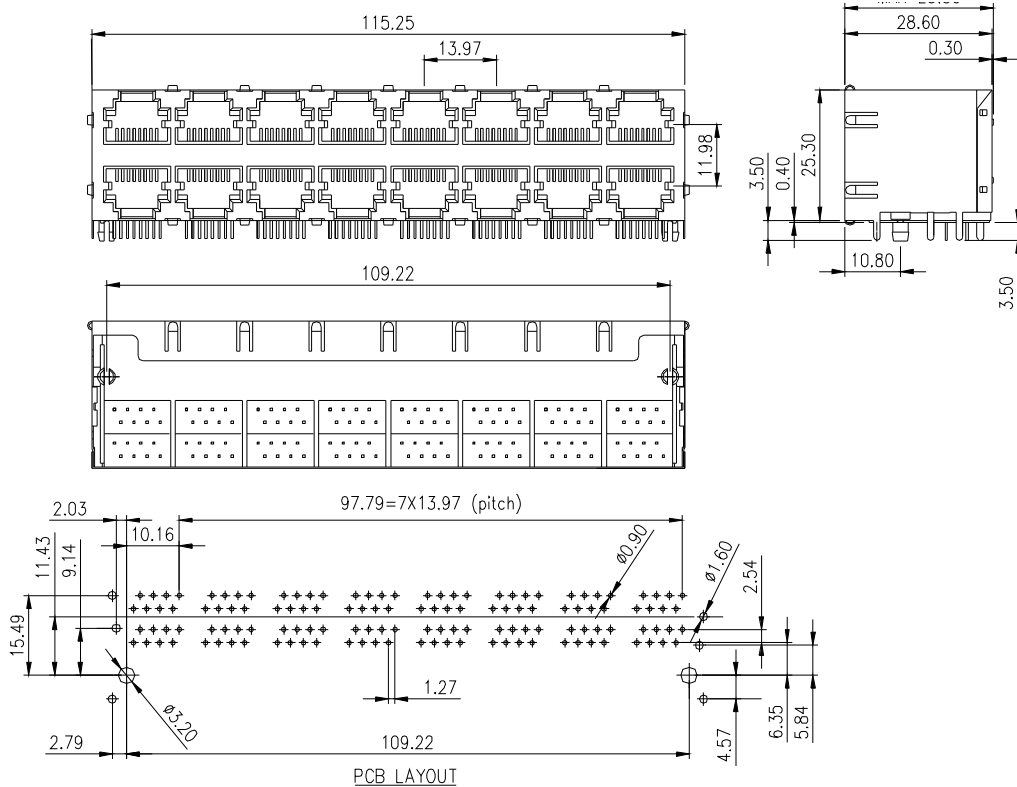
731 SERIES RJ45 8P8C With SHIELDING w/TAB RIGHT ANGLE TYPE - Pa

DIMENSION

2X6... 12 PORT-Sb



2X8... 16 PORT-Sb



NOTE : SOME SIZES, STYLES AND OPTION ARE NON-STANDARD, NON-CANCELLABLE, NON-RETURNABLE