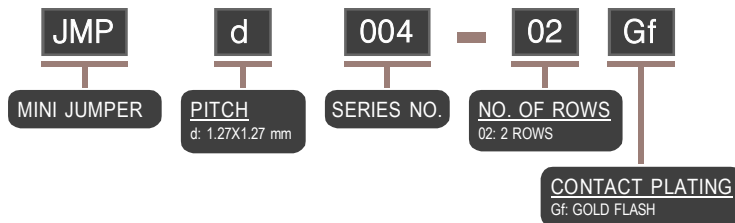
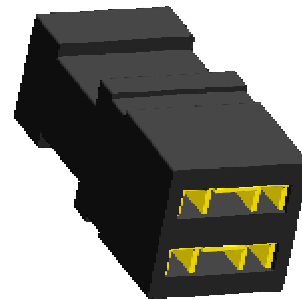
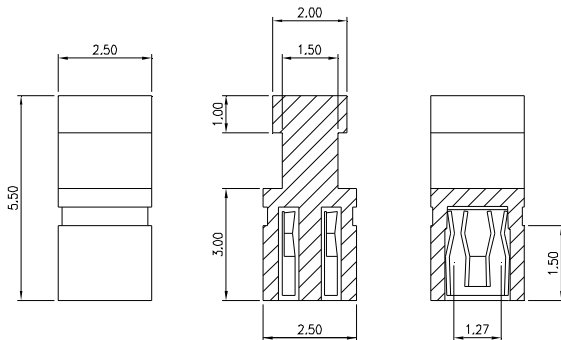


MMI

JUMPER
PITCH: 2.00X2.00mm

MINI JUMPER - 1.27X1.27mm - JMPd



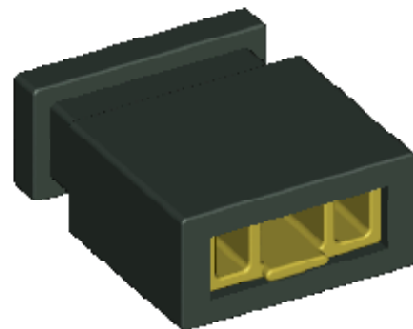
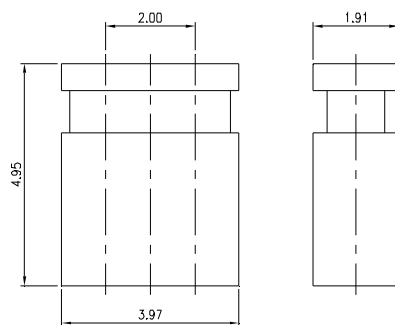
SPECIFICATIONS

CONTACT RATING: 2 AMPS
 INSULATOR RESISTANCE: 1000 OHM MIN.
 DIELECTRIC WITHSTAND VOLTAGE: AC 650V
 OPERATING TEMPERATURE: -40° C→+105° C

MATERIALS

CONTACT MATERIAL: PHOSPHOR BRONZE
 INSULATOR MATERIAL: NYLON 66 U94V-0
 FINISH: GOLD FLASH

MINI JUMPER - 2.00X2.00mm - JMPb



SPECIFICATIONS

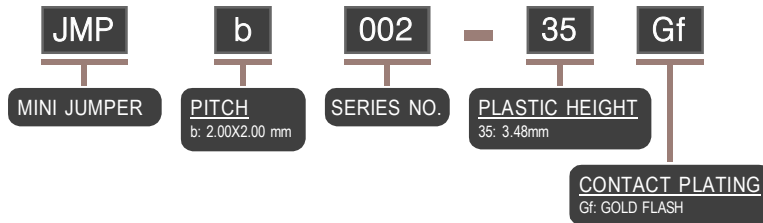
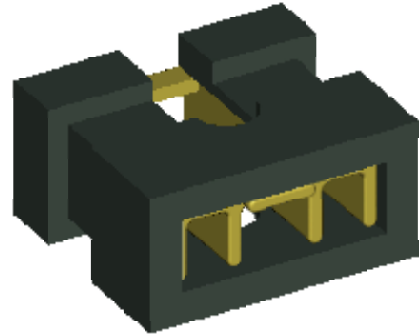
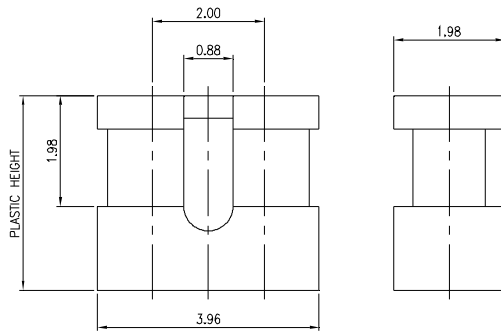
CONTACT RATING: 3 AMPS
 INSULATOR RESISTANCE: 1000 OHM MIN.
 DIELECTRIC WITHSTAND VOLTAGE: AC 650V
 OPERATING TEMPERATURE: -40° C→+105° C

MATERIALS

CONTACT MATERIAL: PHOSPHOR BRONZE
 INSULATOR MATERIAL: GLASS FILLED POLYESTER
 P.B.T. UL 94V-0 RATED
 FINISH: GOLD FLASH

NOTE : SOME SIZES, STYLES AND OPTION ARE NON-STANDARD, NON-CANCELLABLE, NON-RETURNABLE

MINI JUMPER - 2.00X2.00mm - JMPb



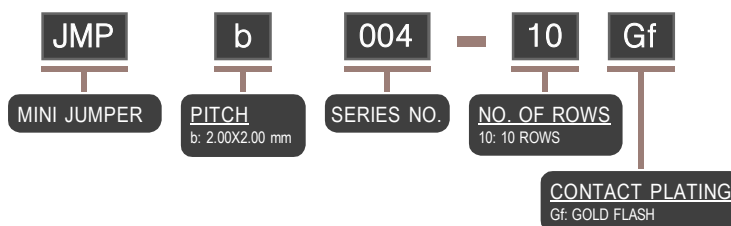
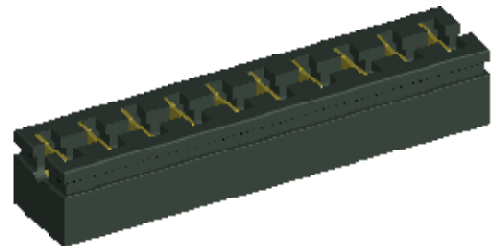
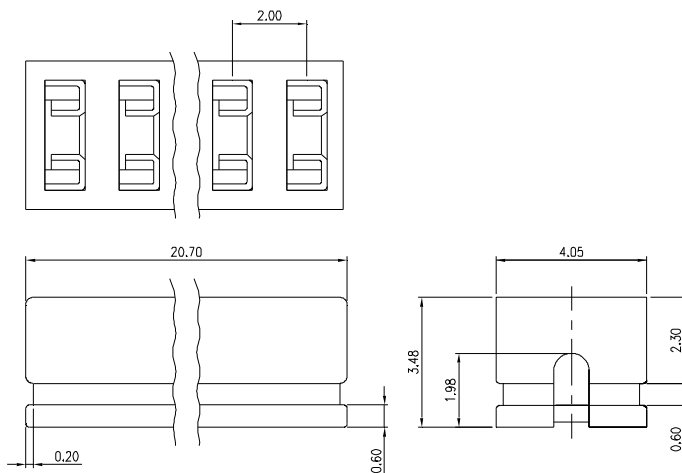
SPECIFICATIONS

CONTACT RATING: 3 AMPS
INSULATOR RESISTANCE: 1000 OHM MIN.
DIELECTRIC WITHSTAND VOLTAGE: AC 650V
OPERATING TEMPERATURE: -40° C--+105° C

MATERIALS

CONTACT MATERIAL: PHOSPHOR BRONZE
INSULATOR MATERIAL: GLASS FILLED POLYESTER
P.B.T. UL 94V-0 RATED
FINISH: GOLD FLASH

MINI JUMPER - 2.00X2.00mm - JMPb



SPECIFICATIONS

CONTACT RATING: 1 AMPS
INSULATOR RESISTANCE: 5000 OHM MIN.
DIELECTRIC WITHSTAND VOLTAGE: AC 500V
OPERATING TEMPERATURE: -40° C--+105° C

MATERIALS

CONTACT MATERIAL: PHOSPHOR BRONZE
INSULATOR MATERIAL: PBT 30% GLASS FIBER
UL 94V-0
FINISH: GOLD FLASH

NOTE : SOME SIZES, STYLES AND OPTION ARE NON-STANDARD, NON-CANCELLABLE, NON-RETURNABLE